



# **CMS8S3680/69xx series**

## **Reference Manual**

**Enhanced Flash 1T 8051 Microcontroller**

**Rev. 1.0.7**

Please be reminded about following CMS's policies on intellectual property

\* Cmsemicon Limited(denoted as 'our company' for later use) has already applied for relative patents and entitled legal rights. Any patents related to CMS's MCU or other products is not authorized to use. Any individual, organization or company which infringes s our company's interlectual property rights will be Disableand stopped by our company through any legal actions, and our company will claim the lost and required for compensation of any damage to the company.

\* The name of Cmsemicon Limited and logo are both trademarks of our company.

\* Our company preserve the rights to further elaborate on the improvements about products' function, reliability and design in this manual. However, our company is not responsible for any usage about this munal. The applications and their purposes in this manual are just for clarification, our company does not guarantee that these applications are feasible without further improvements and changes, and our company does not recommend any usage of the products in areas where people's safety is endangered during accident. Our company's products are not authorized to be used for life-saving or life support devices and systems.our company has the right to change or improve the product without any prior notification, for latest news, please visit our website: [www.mcu.com.cn](http://www.mcu.com.cn)

## Table of Content

<b>CMS8S3680/69xx series .....</b>	<b>1</b>
<b>1. Central Processing Unit (CPU) .....</b>	<b>10</b>
1.1 Reset Vector (0000H).....	10
1.2 BOOT Partition .....	10
1.3 Accumulator (ACC) .....	12
1.4 B Register(B).....	12
1.5 Stack Pointer Register (SP).....	12
1.6 Data Pointer Register (DPTR0/DPTR1) .....	12
1.7 Data Pointer Selection Register (DPS).....	13
1.8 Program Status Register (PSW).....	13
1.9 Program Counter (PC) .....	14
1.10 Timing Access Register (TA) .....	14
<b>2. Memory and Register Mapping.....</b>	<b>15</b>
2.1 Program Storage Flash .....	15
2.2 Non-volatile Data Memory Data FLASH.....	16
2.3 General Purpose Data Memory RAM.....	16
2.4 General External Data Register XRAM .....	18
2.5 Special Function Register SFR .....	19
2.6 External Special Function Register XSFR.....	20
<b>3. Reset.....</b>	<b>26</b>
3.1 Power-on Reset.....	26
3.2 External Reset.....	28
3.3 LVR Low-voltage Reset .....	28
3.4 Watchdog Reset.....	29
3.5 Software Reset.....	29
3.6 CONFIG Status Protection Reset.....	29
3.7 Power-on Configuration Monitor Reset .....	30
<b>4. Clock Structure .....</b>	<b>31</b>
4.1 System Clock Structure .....	31
4.2 Related Registers.....	32
4.2.1 Oscillator Control Register CLKDIV .....	32
4.2.2 Function Clock Control Registers.....	32
<b>5. Power Management .....</b>	<b>34</b>
5.1 Power Management Register PCON.....	34
5.2 Power Supply Monitor Register LVDCON .....	35
5.3 IDLE Idle Mode.....	35
5.4 STOP Sleep Mode.....	36
5.4.1 Sleep Wakes up .....	36
5.4.2 Wake-up Wait State.....	36
5.4.3 Sleep Wake-up Time .....	36
5.4.4 Reset Operation Under Sleep .....	37
5.4.5 Sleep Power Consumption in Debug Mode.....	37
5.4.6 Example of a Sleep Mode Application .....	37
<b>6. Interrupt.....</b>	<b>38</b>
6.1 Interrupt Overview .....	38
6.2 External Interrupt.....	39
6.2.1 INT0/INT1 Interrupt .....	39
6.2.2 GPIO Interrupt.....	39

6.3	Interrupt With Sleep Wake-up .....	39
6.4	Interrupt Register.....	40
6.4.1	Interrupt Mask Registers .....	40
6.4.2	Interrupt Priority Controls the Register .....	44
6.4.3	Interrupt Flag bit Register.....	47
6.4.4	The Clear Operation for The Interrupt Flag Bit .....	53
6.4.5	Special Interrupt Flag Bits in Debug Mode .....	54
<b>7.</b>	<b>I/O Port.....</b>	<b>55</b>
7.1	GPIO Function.....	55
7.1.1	PORTx Data Register Px .....	55
7.1.2	PORTx Direction Register PxTRIS.....	55
7.1.3	PORTx Open-drain Control Register PxOD .....	56
7.1.4	PORTx Pull-up Resistor Control Register PxUP .....	56
7.1.5	PORTx Pull-down Resistor Control Register PxRD .....	56
7.1.6	PORTx Drives The Current Control Register PxDR .....	57
7.1.7	PORTx Slope Control Register PxSR .....	57
7.1.8	The PORTx Data Input Selects Register PxDS.....	57
7.2	Multiplexed Functions.....	58
7.2.1	Port Multiplexing Feature Configuration Register.....	58
7.2.2	The Port Input Function Allocation Registers .....	61
7.2.3	Port External Interrupt Control Registers .....	63
7.2.4	Multiplexing Features Application Notes .....	63
<b>8.</b>	<b>Watchdog Timer (WDT) .....</b>	<b>64</b>
8.1	Overview .....	64
8.2	Related Registers.....	64
8.2.1	Watchdog Control Register WDCON .....	64
8.2.2	Watchdog Overflow Control Register CKCON .....	65
8.3	WDT Interrupt.....	66
8.3.1	Interrupt Mask Register EIE2 .....	66
8.3.2	Interrupt Priority Control Register EIP2 .....	67
<b>9.</b>	<b>Timer Counter 0/1 (Timer0/1) .....</b>	<b>68</b>
9.1	Overview .....	68
9.2	Related Registers.....	69
9.2.1	Timer0/1 Mode Register TMOD .....	69
9.2.2	Timer0/1 Control Register TCON .....	70
9.2.3	Timer0 Data Register Low Bit TL0 .....	70
9.2.4	Timer0 Data Register High Bit TH0 .....	71
9.2.5	Timer1 Data Register Low Bit TL1 .....	71
9.2.6	Timer1 Data Register High TH1 .....	71
9.2.7	Function Clock Control Register CKCON.....	71
9.3	Timer0/1 Interrupt.....	72
9.3.1	Interrupt Mask Register IE.....	72
9.3.2	Interrupt Priority Controls Register IP.....	73
9.3.3	Timer0/1, INT0/1 Interrupt Flag Bit Register TCON.....	74
9.4	Timer0 Working Mode .....	75
9.4.1	T0 - Mode 0 (13-bit Timing/Counting Mode).....	75
9.4.2	T0 - Mode 1 (16-bit Timing/Counting Mode).....	75
9.4.3	T0 - Mode 2 (8-bit Auto-reload Tming/Counting Mode) .....	76
9.4.4	T0 - Mode 3 (Two Separate 8-bit Timers/Counters) .....	76
9.5	Timer1 Working Mode .....	77
9.5.1	T1 - Mode 0 (13-bit Timing/Counting Mode).....	77
9.5.2	T1 - Mode 1 (16-bit Timing/Counting Mode).....	77

9.5.3	T1 - Mode 2 (8-bit Auto Reload Timing/Counting Mode)	78
9.5.4	T1 - Mode 3 (Stop Count)	78
<b>10.</b>	<b>Timer Counter 2 (Timer2)</b>	<b>79</b>
10.1	Overview	79
10.2	Related Registers	80
10.2.1	Timer2 Control Register T2CON	80
10.2.2	Timer2 Data Register Low Bit TL2	80
10.2.3	Timer2 Data Register High TH2	81
10.2.4	Timer2 Compare/Capture/Auto Reload Register Low Bit RLDL	81
10.2.5	Timer2 Compare/Capture/Auto Reload Register High Bit RLDH	81
10.2.6	Timer2 Compares/Captures Channel 1 Registers Low CCL1	81
10.2.7	Timer2 Compares/Captures Channel 1 Register High Bit CCH1	81
10.2.8	Timer2 Compares/Captures Channel 2 Registers Low CCL2	82
10.2.9	Timer2 Compares/Captures Channel 2 Registers High-bit CCH2	82
10.2.10	Timer2 Compares/Captures Channel 3 Registers to Low CCL3	82
10.2.11	Timer2 Compares/Captures Channel 3 Registers High Bit CCH3	82
10.2.12	Timer2 Compares the Capture Control Register CCEN	83
10.3	Timer2 Interrupt	84
10.3.1	Interrupt Correlation Registers	84
10.3.2	Timed Interrupt	87
10.3.3	Externally Triggered Interrupt	87
10.3.4	Compare Interrupt	87
10.3.5	Capture Interrupt	87
10.4	Timer2 Feature Description	88
10.4.1	Timing Mode	88
10.4.2	Reload Mode	88
10.4.3	Gated Timing Mode	89
10.4.4	Event Counting Mode	89
10.4.5	Comparison Mode	90
10.4.6	Capture Mode	92
<b>11.</b>	<b>Timer 3/4 (Timer3/4)</b>	<b>94</b>
11.1	Overview	94
11.2	Related Registers	94
11.2.1	Timer3/4 Control Register T34MOD	94
11.2.2	Timer3 Data Register Low Bit TL3	95
11.2.3	Timer3 Data Register High Bit TH3	95
11.2.4	Timer4 Data Register Low Bit TL4	95
11.2.5	Timer4 Data Register High Bit TH4	95
11.3	Timer3/4 Interrupt	96
11.3.1	Interrupt Mask Register EIE2	96
11.3.2	Interrupt Priority Control Register EIP2	96
11.3.3	Peripheral Interrupt Flag Bit Register EIF2	97
11.4	Timer3 Working Mode	98
11.4.1	T3 - Mode 0 (13-bit Timing Mode)	98
11.4.2	T3 - Mode 1 (16-bit Timing Mode)	98
11.4.3	T3 - Mode 2 (8-bit Auto Reload Timing Mode)	99
11.4.4	T3 - Mode 3 (Two Separate 8-bit Timers)	99
11.5	Timer4 Working Mode	100
11.5.1	T4 - Mode 0 (13-bit Timing Mode)	100
11.5.2	T4 - Mode 1 (16-bit Timing Mode)	100
11.5.3	T4- Mode 2 (8-bit Auto Reload Timing Mode)	101
11.5.4	T4 - Mode 3 (Stop Count)	101

<b>12. LSE Timer(LSE_Timer)</b> .....	<b>102</b>
12.1 Overview .....	102
12.2 Related Registers.....	102
12.2.1 LSE Timer Data Register Low 8 Bit LSECRL.....	102
12.2.2 LSE Timer Data Registers are 8 Bits High LSECRH.....	102
12.2.3 LSE Timer Control Register LSECON .....	103
12.3 Interrupt With Sleep Wake-up .....	104
12.4 Feature description.....	105
<b>13. Wake-up Timer (WUT)</b> .....	<b>106</b>
13.1 Overview .....	106
13.2 Related Registers.....	106
13.2.1 WUTCRH Register.....	106
13.2.2 WUTCRL register.....	106
13.3 Feature description.....	107
<b>14. Baud Rate Timer (BRT)</b> .....	<b>108</b>
14.1 Overview .....	108
14.2 Related Registers.....	108
14.2.1 BRT Module Control Register BRTCON .....	108
14.2.2 The BRT Timer Data is Loaded With a Low 8-bit Register BRTDL .....	108
14.2.3 The BRT Timer Data is Loaded With a High 8-bit Register BRTDH .....	108
14.3 Feature Description .....	109
<b>15. Buzzer Driver (BUZZER)</b> .....	<b>110</b>
15.1 Overview .....	110
15.2 Related Registers.....	110
15.2.1 BUZZER Control Register BUZCON.....	110
15.2.2 BUZZER Frequency Control Register BUZDIV .....	110
15.3 Feature Description .....	111
<b>16. Enhanced PWM Module</b> .....	<b>112</b>
16.1 Overview .....	112
16.1.1 Function .....	112
16.1.2 Characteristic .....	112
16.2 Disposition.....	113
16.2.1 Functional Block Diagram .....	113
16.2.2 Description of Each Functional Module .....	113
16.2.3 Description of The Relevant IO Ports.....	115
16.3 Enhanced PWM Operation.....	116
16.3.1 Load-update Mode .....	116
16.3.2 Single Count Mode.....	117
16.3.3 Edge Alignment Mode .....	118
16.3.4 Center Alignment Mode.....	120
16.3.5 Complementary Mode With Dead Zones .....	122
16.3.6 Brake Function .....	124
16.3.7 Interrupt Function .....	124
16.4 PWM-related Registers.....	125
16.4.1 PWM Control Register PWMCON .....	125
16.4.2 PWM Output Enable Control Register PWMOE.....	125
16.4.3 PWM0/1 Clock Prescale Control Register PWM01PSC.....	126
16.4.4 PWM2/3 Clock Prescale Control Register PWM23PSC.....	126
16.4.5 PWM4/5 Clock Prescale Control Register PWM45PSC.....	126
16.4.6 PWM Clock Division Control Register PWMnDIV (n=0-5).....	127
16.4.7 PWM Data Loading Enable Control Register PWMLOADEN.....	127

16.4.8	PWM Output Polarity Control Register PWMPINV .....	127
16.4.9	PWM Counter Mode Control Register PWMCNTM .....	128
16.4.10	PWM Counter Enable Control Register PWMCNTE .....	128
16.4.11	PWM Counter Mode Control Register PWMCNTCLR .....	128
16.4.12	PWM Period Data Register Low 8 Bits PWMPnL (n=0-5) .....	128
16.4.13	PWM Period Data Register High 8 Bits PWMPnH (n=0-5) .....	129
16.4.14	PWM Comparison Data Register Low 8 Bits PWMDnL (n=0-5) .....	129
16.4.15	PWM Comparison Data Register High 8 Bits PWMDnH (n=0-5) .....	129
16.4.16	PWM Down Comparison Data Register Low 8 Bits PWMDDnL (n=0-5) .....	129
16.4.17	PWM Down Comparison Data Register High 8 Bits PWMDDnH (n=0-5) .....	129
16.4.18	The PWM Dead-zone Enable Control Register PWMDTE .....	130
16.4.19	PWM0/1 Dead Zone Delay Data Register PWM01DT .....	130
16.4.20	PWM2/3 Dead-zone Delay Data Register PWM23DT .....	130
16.4.21	PWM4/5 Dead Zone Delay Data Register PWM45DT .....	130
16.4.22	PWM Mask Control Register PWMMASKE .....	131
16.4.23	PWM Mask Data Register PWMMASKD .....	131
16.4.24	PWM Brake Control Register PWMFBKC .....	132
16.4.25	PWM Brake Data Register PWMFBKD .....	132
16.5	PWM Interrupt the Related Registers .....	133
16.5.1	Interrupt Mask Register EIE2 .....	133
16.5.2	Interrupt Priority Control Register EIP2 .....	133
16.5.3	PWM Cycle Interrupt Shield Register PWMPIE .....	134
16.5.4	PWM Zero Interrupt Mask Register PWMZIE .....	134
16.5.5	PWM up Comparison Interrupt Mask Register PWMUIE .....	134
16.5.6	PWM Down Comparison Interrupt Mask Register PWMDIE .....	135
16.5.7	PWM Cycle Interrupt Flag Register PWMPIF .....	135
16.5.8	PWM Zero Interrupt Flag Register PWMZIF .....	135
16.5.9	PWM up Comparison Interrupt Flag Register PWMUIF .....	135
16.5.10	PWM Down Comparison Interrupt Flag Register PWMDIF .....	136
<b>17.</b>	<b>SPI Module .....</b>	<b>137</b>
17.1	Overview .....	137
17.2	SPI Port Configuration .....	138
17.3	SPI Hardware Description .....	139
17.4	SPI-dependent Registers .....	140
17.4.1	SPI Control Register SPCR .....	140
17.4.2	SPI Data Register SPDR .....	140
17.4.3	The SPI Selects the Control Register SSCR From the Device .....	141
17.4.4	SPI Status Register SPSR .....	141
17.5	SPI master mode .....	142
17.5.1	Write conflict error .....	143
17.6	SPI Slave Mode .....	144
17.6.1	Address Error .....	144
17.6.2	Write Conflict Error .....	144
17.7	SPI Clock Control Logic .....	146
17.7.1	SPI Clock Phase and Polarity Control .....	146
17.7.2	SPI Transfer Format .....	146
17.7.3	CPHA=0 Transfer Format .....	146
17.7.4	CPHA=1 Transfer Format .....	147
17.8	SPI Data Transfer .....	148
17.8.1	SPI Transfer Starts .....	148
17.8.2	SPI Transfer End .....	148
17.9	SPI Timing Diagram .....	149
17.9.1	Master Mode Transmission .....	149

17.9.2	Slave Mode Transmission .....	149
17.10	SPI Interrupt .....	150
17.10.1	Interrupt Mask Register EIE2 .....	150
17.10.2	Interrupt Priority Control Register EIP2 .....	151
17.10.3	Peripheral Interrupt Flag Bit Register EIF2 .....	152
<b>18.</b>	<b>I<sup>2</sup>C Module .....</b>	<b>153</b>
18.1	Overview .....	153
18.2	I <sup>2</sup> C Port Configuration .....	154
18.3	I <sup>2</sup> C Master Mode .....	154
18.3.1	I <sup>2</sup> C Master Mode Timing Period Register .....	154
18.3.2	I <sup>2</sup> C Master Mode Control and Status Registers .....	155
18.3.3	I <sup>2</sup> C Slave Address Register .....	158
18.3.4	I <sup>2</sup> C Master Mode Transmit and Receive Data Registers .....	158
18.4	I <sup>2</sup> C Slave Mode .....	159
18.4.1	I <sup>2</sup> C Self Address Register I2CSADR .....	159
18.4.2	I <sup>2</sup> C Slave Mode Control and Status Registers I2CSCR/I2CSSR .....	159
18.4.3	I <sup>2</sup> C Slave Mode Transmit and Receive Buffer Registers I2CSBUF .....	160
18.5	I <sup>2</sup> C Interrupt .....	161
18.5.1	Interrupt Mask Register EIE2 .....	161
18.5.2	Interrupt Priority Control Register EIP2 .....	162
18.5.3	Peripheral Interrupt Flag Bit Register EIF2 .....	163
18.6	I <sup>2</sup> C Slave Mode Transmission Mode .....	164
18.6.1	Single Receive .....	164
18.6.2	Single Send .....	165
18.6.3	Continuous Reception .....	166
18.6.4	Continuous Sending .....	167
<b>19.</b>	<b>UARTn Module .....</b>	<b>168</b>
19.1	Overview .....	168
19.2	UARTn Port Configuration .....	168
19.3	UARTn Baud Rate .....	169
19.3.1	Baud Rate Clock Source .....	169
19.3.2	Baud Rate Calculation .....	169
19.3.3	Baud Rate Error .....	170
19.4	UARTn Register .....	172
19.4.1	UART0/1 Baud Rate Selection Register FUNCCR .....	172
19.4.2	UARTn Buffer Register SBUFn .....	172
19.4.3	UART Control Register SCONn .....	173
19.4.4	PCON Registers .....	174
19.5	UARTn Interrupt .....	175
19.5.1	Interrupt Mask Register IE .....	175
19.5.2	Interrupt Priority Controls Register IP .....	176
19.6	UARTn Mode .....	177
19.6.1	Mode 0 - Synchronous Mode .....	177
19.6.2	Mode 1-8 Bit Asynchronous Mode (Variable Baud Rate) .....	177
19.6.3	Mode 2-9 Bit Asynchronous Mode (Fixed Baud Rate) .....	178
19.6.4	Mode 3-9 Bit Asynchronous Mode (Variable Baud Rate) .....	178
<b>20.</b>	<b>Analog-to-digital Converter (ADC) .....</b>	<b>179</b>
20.1	Overview .....	179
20.2	ADC Configuration .....	180
20.2.1	Port Configuration .....	180
20.2.2	Channel Selection .....	180
20.2.3	ADC Reference Voltage .....	180

20.2.4	aConvert the Clock.....	181
20.2.5	Result Format.....	181
20.3	ADC Hardware Trigger Start.....	182
20.3.1	The External Port edge Triggers the ADC .....	182
20.3.2	PWM Triggers the ADC .....	182
20.3.3	Hardware Triggers a Boot Delay .....	182
20.4	ADC Results Comparison .....	183
20.5	How the ADC Works.....	183
20.5.1	Start the Conversion .....	183
20.5.2	Complete the Conversion.....	183
20.5.3	Terminates the Conversion.....	183
20.5.4	A/D Conversion Steps.....	184
20.5.5	Go to Sleep During the Conversion Process.....	184
20.6	Related Registers.....	185
20.6.1	AD Control Register ADCON0.....	185
20.6.2	AD Control Register ADCON1.....	186
20.6.3	AD Control Register ADCON2.....	187
20.6.4	The AD Comparator Controls the Register ADCPC .....	187
20.6.5	AD Hardware Triggers the Delay Data Register ADDLYL .....	187
20.6.6	AD Data Register High ADRESH, ADFM=0 (Left Aligned) .....	188
20.6.7	AD Data Register Low ADRESL, ADFM=0 (Left -aligned).....	188
20.6.8	AD Data Register High ADRESH, ADFM=1 (Right-aligned).....	188
20.6.9	AD Data Register Low ADRSL, ADFM = 1 (Right-aligned).....	188
20.6.10	AD Comparator Data Register ADCCMPH.....	189
20.6.11	AD Comparator Data Register ADCOP .....	189
20.6.12	AD Reference Voltage Control Register.....	189
20.7	ADC Interrupt .....	190
20.7.1	Interrupt Mask Register EIE2 .....	190
20.7.2	Interrupt Priority Control Register EIP2 .....	191
20.7.3	Peripheral Interrupt Flag Bit Register EIF2.....	192
<b>21.</b>	<b>Analog Comparator (ACMP0/1) .....</b>	<b>193</b>
21.1	Comparator Features .....	193
21.2	Comparator Structure.....	193
21.3	Related Registers.....	195
21.3.1	Comparator Control Register CnCON0.....	195
21.3.2	Comparator Control Register CnCON1.....	195
21.3.3	Comparator n Control Register CnCON2.....	196
21.3.4	Comparator Adjustment Bit Selection Register CnADJE.....	196
21.3.5	Comparator Hysteresis Control Register CnHYS.....	197
21.3.6	Comparator Reference Voltage Control Register CNVRCON .....	197
21.3.7	Comparator Brake Control Register CNFBCON .....	198
21.4	Comparator Interrupt.....	199
21.4.1	Interrupt Priority Control Register EIP1 .....	199
21.4.2	Comparator Interrupt Shield Register CNIE .....	199
21.4.3	Comparator Interrupt Flag Register CNIF .....	200
<b>22.</b>	<b>Operational Amplifier (OP0/1).....</b>	<b>201</b>
22.1	Op amp Features .....	201
22.2	Op Amp Structure.....	201
22.3	Related Registers.....	202
22.3.1	Op Amp Control Register OPnCON0 .....	202
22.3.2	Op Amp Control Register OPnCON1 .....	202
22.3.3	Op Amp Regulation Bit Selection Register OPnADJE.....	203



<b>23. Programmable Operational Amplifier (PGA)</b> .....	<b>204</b>
23.1 PGA Features .....	204
23.2 PGA Structure .....	204
23.3 PGA-dependent Registers .....	205
23.3.1 PGACON0 Register .....	205
23.3.2 PGACON1 Register .....	205
23.3.3 PGACON2 Register .....	206
23.3.4 PGACON3 Register .....	206
23.3.5 PGAADJE Registers .....	206
<b>24. Flash Memory</b> .....	<b>207</b>
24.1 Overview .....	207
24.2 Related Registers.....	208
24.2.1 Flash Protect Lock Register MLOCK .....	208
24.2.2 FLASH Memory Data Register MDATA.....	208
24.2.3 FLASH Memory Address Register MADRL .....	208
24.2.4 FLASH Memory Address Register MADRH .....	208
24.2.5 FLASH Memory Control Register MCTRL .....	209
24.3 Feature Description .....	210
<b>25. Unique ID (UID)</b> .....	<b>211</b>
25.1 Overview .....	211
25.2 UID Register Description .....	211
<b>26. User Configuration</b> .....	<b>214</b>
<b>27. In-circuit Programming and Debugging</b> .....	<b>216</b>
27.1 Online Programming Mode.....	216
27.2 Online Debug Mode .....	217
<b>28. Instruction Description</b> .....	<b>218</b>
28.1 Symbol Description .....	218
28.2 List of Instructions .....	219
<b>29. Version Revision Notes</b> .....	<b>222</b>

# 1. Central Processing Unit (CPU)

This series is a microcontroller with 8-bit 8051 frame structure. The CPU is the core component of the microcontroller, which is composed of arithmetic units, controllers, and special register groups. The arithmetic unit module mainly implements data arithmetic and logic operations, bit variable processing and data transfer operations; the controller module mainly decodes instructions, and then sends out various control signals; the special register group is mainly used to indicate the memory address of the current instruction to be executed, store the operand and indicate the state after the instruction is executed. The special register group mainly includes accumulator ACC, general register B, stack pointer SP, data pointer DPTR, Program status register PSW, Program counter PC, etc.

## 1.1 Reset Vector (0000H)

The microcontroller has a word-long system reset vector (0000H), after which the program will restart execution at 0000H and the system registers will revert to their default values. The following program demonstrates how to define a reset vector in FLASH.

Example: Define a reset vector

	ORG	0000H	; System reset vector
	LJMP	START	
	ORG	0010H	; The user program starts
START:	...		; User programs
	...		
	END		; The program ends

## 1.2 BOOT Partition

The size of the program area space is 16K\*8Bit, where the program is divided into BOOT area and APROM area, and the BOOT area size is allocated by the user configuration register.

If the chip is powered on, if the program starts from the BOOT area, the address space allocation method needs to be configured through CONFIG (see the corresponding data sheet for the specific configuration), otherwise the program will be started from the APROM area.

Take the 1K space in the BOOT area as an example: config configuration BOOT\_1K, after the chip is powered on configuration, the program starts to run from the address 0x3C00. If the program needs to switch between the BOOT region and the APROM region, it is necessary to write a 0xAA/0x55 to the BOOT region control register BOOTCON (see register description for details), and then perform a software reset or generate a watchdog reset.

When power-on reset, external reset, voltage reset, bootcon reset value is 0x00, software reset and watchdog reset can not clear the register.

## BOOT Control Register (BOOTCON)

F691H	Bit7	Bit6	Bit5	Bit4	Bit3	Bit2	Bit1	Bit0
BOOTCON	D7	D6	D5	D4	D3	D2	D1	D0
R/W	R/W	R/W	R/W	R/W	R/W	R/W	R/W	R/W
Reset Value	0	0	0	0	0	0	0	0

Bit7~Bit0 D<7:0>: BOOT zone control bit (this register can only be written when the chip is configured to BOOT\_1K/BOOT\_2K/BOOT\_4K);

0x55= If you switch from the APROM area to the BOOT area, you need to write 0x55 to it, and then perform a software reset or generate a watchdog reset;

0xAA= If you switch from the BOOT area to the APOROM area, you need to write 0xAA to it, and then perform a software reset or generate a watchdog reset;

Other values= Invalid.

For example, after the chip is powered on and booted from the BOOT area, use the software reset method to switch to the APROM area, and the configuration is as follows:

- 1) The BOOTCON register needs to write AAH
 

```
MOVDPTR,# BOOTCON
MOVE,#0AAH
MOVX@DPTR,A
```
- 2) Perform a software reset
 

```
MOVTA,#0AAH
MOVTA,#055H
MOVWDCON,#080H
```

For example, use the software reset method to switch from the APROM area to the BOOT area, and configure it as follows:

- 1) The BOOTCON register needs to write 55H
 

```
MOVDPTR, # BOOTCON
MOVA,#055H
MOVX@DPTR,A
```
- 2) Perform a software reset
 

```
MOVTA,#0AAH
MOVTA,#055H
MOVWDCON,#080H
```

Note: When the BOOT function is valid, the APROM program needs to ensure that the PC does not overflow (overflow means that the PC is out of the address range of the APROM), and if the PC overflows, the system may run abnormally.

## 1.3 Accumulator (ACC)

The ALU is an 8Bit wide arithmetic logic unit through which all mathematical and logical operations of the MCU are completed. It can add, subtract, shift and logical operations on data; The ALU also controls the status bits (in the PSW status register) that represent the state of the result of the operation.

The ACC register is an 8Bit register where the results of ALU operations can be stored.

## 1.4 B Register(B)

The B register is used when using multiplication and division instructions. If the multiplication and division instruction is not used, it can also be used as a universal register.

## 1.5 Stack Pointer Register (SP)

The SP register points to the address of the stack, and the default value after reset is 0x07, which means that the area of the stack starts at 08H of the RAM address. The value of the SP can be modified, and if the stack region is set to start 0xC0, the value of the SP needs to be set to 0xBF after the system reset.

Operations that affect SP are: instruction PUSH, LCALL, ACALL, POP, RET, RETI, and entering interrupt.

PUSH instructions occupy one byte in the stack, LCALL, ACALL, and interrupt occupy two bytes in the stack, POP instructions release one byte, and RET/RETI instructions free two bytes.

Using the PUSH instruction automatically saves the current value of the operated register to RAM.

## 1.6 Data Pointer Register (DPTR0/DPTR1)

The data pointer is mainly used in MOVX, MOVC instructions, and its role is to locate the addresses of XRAM and ROM. Inside the chip, there are two data pointer registers DPTR0 and DPTR1, selected by the DPS register.

Each set of pointers includes two 8-bit registers: DPTR0={DPH0,DPL0}; DPTR1={DPH1,DPL1};

For example, the assembly code for operating XRAM is as follows:

MOV	DPTR,#0001H	
MOV	A,#5AH	
MOVX	@DPTR,A	; Write the data in A to XRAM address 0001H

## 1.7 Data Pointer Selection Register (DPS)

The data pointer selects register DPS

0x86	Bit7	Bit6	Bit5	Bit4	Bit3	Bit2	Bit1	Bit0
DPS	ID1	ID0	TSL	AT	--	--	--	SALT
R/W	R/W	R/W	R/W	R/W	R/W	R/W	R/W	R/W
Reset Value	0	0	0	0	0	0	0	0

- Bit7~Bit6 ID<1:0>: Subtract/add function selection.  
 00= DPTR0 plus 1 or DPTR1 plus 1;  
 01= DPTR0 minus 1 or DPTR1 plus 1;  
 10= DPTR0 plus 1 or DPTR1 minus 1;  
 11= DPTR0 minus 1 or DPTR1 minus 1.
- Bit5 TSL: Flip selection enable;  
 1= After executing the DPTR instruction, the SEL bit is automatically flipped;  
 0= DPTR-related instructions do not affect the SEL bits.
- Bit4 AT: Self-addition/subtraction enable bits;  
 1= Enables MOVX @DPTR or MOVC @DPTR instructions to run, perform subtractive/self-addition operations (determined by ID1-ID0).  
 0= DPTR-related instructions do not affect the SEL bits.
- Bit3~Bit1 -- Reserved, must be 0.
- Bit0 SALT: Data pointer selection bit;  
 1= Select DPTR1;  
 0= Select DPTR0.

## 1.8 Program Status Register (PSW)

Program status register PSW

0xD0	Bit7	Bit6	Bit5	Bit4	Bit3	Bit2	Bit1	Bit0
PSW	CY	AND	F0	RS1	RS0	OV	--	P
R/W	R/W	R/W	R/W	R/W	R/W	R/W	R/W	R
Reset Value	0	0	0	0	0	0	0	0

- Bit7 CY: Carry marker bits;  
 1= There are carry-ons;  
 0= No carry.
- Bit6 AND: Auxiliary carry markers (half-carry markers);  
 1= There are carry-ons;  
 0= No carry.
- Bit5 F0: Generic flag bits.
- Bit4~Bit3 RS<1:0>: Working register BANK select bit;  
 00= Select Bank0;  
 01= Select Bank1;  
 10= Select Bank2;  
 11= Select Bank3.
- Bit2 OV: Overflow flag bit;  
 1= There is an overflow in arithmetic or logical operations;  
 0= There is no overflow of arithmetic or logical operations.
- Bit1 -- Reserved, must be 0.
- Bit0 P: Check bit;  
 1= The highest level of the result occurred.  
 0= The highest bit of the result did not occur carry.

## 1.9 Program Counter (PC)

The program counter (PC) controls the order of instruction execution in the program memory FLASH, it can address the entire flash range, after obtaining the instruction code, the program counter (PC) will automatically add one, pointing to the address of the next instruction code. However, when performing operations such as jumps, conditional jumps, subroutine calls, initial resets, interrupt, interrupt returns, subprogram returns, etc., the PC loads the address associated with the instruction instead of the address of the next instruction.

When a conditional jump instruction is encountered and the jump condition is met, the next instruction read during the execution of the current instruction will be discarded and an empty instruction operation cycle will be inserted before the correct instruction can be obtained. Instead, the next instruction is executed sequentially.

## 1.10 Timing Access Register (TA)

Timing access register TA

0x96	Bit7	Bit6	Bit5	Bit4	Bit3	Bit2	Bit1	Bit0
HE	TA7	TA6	TA5	TA4	TA3	TA2	TA1	TA0
R/W	R/W	R/W	R/W	R/W	R/W	R/W	R/W	R/W
Reset Value	0	0	0	0	0	0	0	0

Bit7~Bit0

TA<7:0>: Timing access control bits.

Some protected registers must be written to the TA before they can be performed as follows.

```
MOV HE, #0AAH
```

```
MOV TA, #055H
```

No other instructions can be inserted in the middle, and this sequence needs to be re-executed when modified again.

Protected registers: WDCON, CLKDIV.

## 2. Memory and Register Mapping

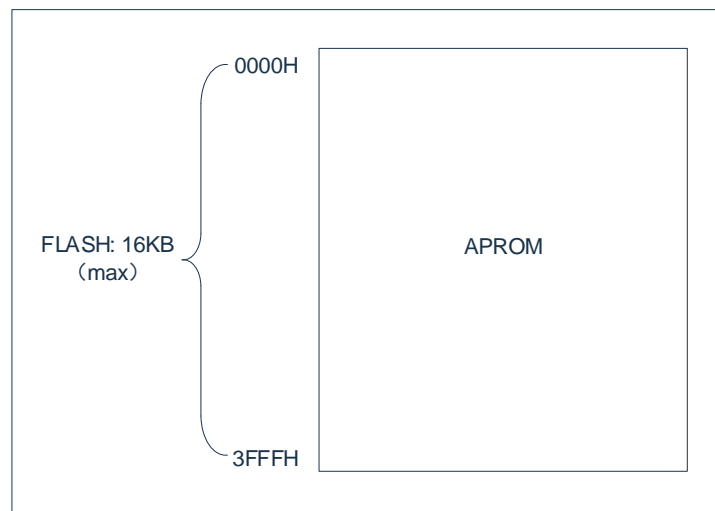
This series of microcontrollers has the following types of memory:

- ◆ Up to 16 KB of FLASH program memory (APROM area).
- ◆ Non-volatile data memory (Data FLASH) up to 1 KB.
- ◆ Up to 256B of general-purpose internal data memory (RAM).
- ◆ Universal External Data Memory (XRAM) up to 1 KB.
- ◆ Special function register SFR.
- ◆ External special function register XSFR.

### 2.1 Program Storage Flash

Program memory FLASH is used to store source program and table data, and the program counter PC is used as an address pointer. The PC is a 16-bit program counter, so the address space that can be addressed is 64KB.

The FLASH space allocation block diagram is shown in the following figure:

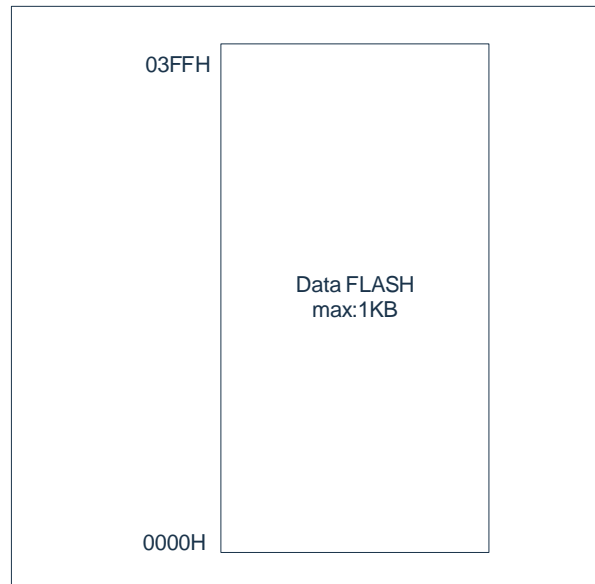


After the chip is reset, the CPU starts executing from 0000H. Each interrupt is assigned a fixed address in the program memory, and the interrupt causes the CPU to jump to that address to start executing the service program.

For example, external interrupt 1, which is assigned the address 0013H, if external interrupt 1 is used, its service program must start at the 0013H location. If the interrupt is not used, its service address is used as a normal program store address.

## 2.2 Non-volatile Data Memory Data FLASH

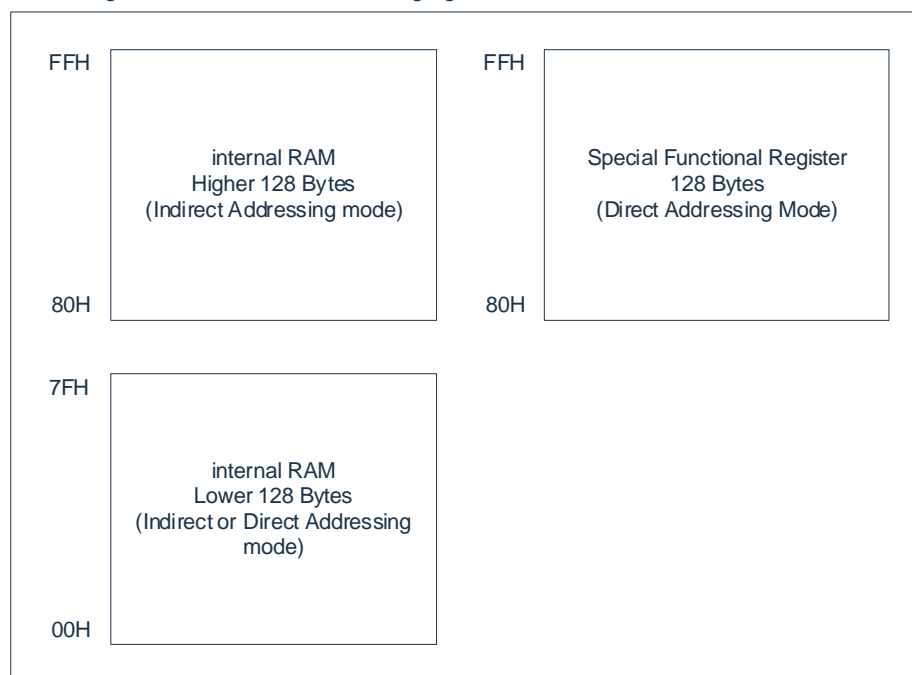
The non-volatile data memory Data FLASH can be used to store important data such as constant data, calibration data, protection safety-related information, etc. The data stored in this area has the characteristic that the data is not lost in the event of a chip power outage or a sudden or unexpected power outage. The Data FLASH space allocation block diagram is shown in the following figure:



The read, write and erase operations of the Data FLASH memory are implemented through the FLASH control interface.

## 2.3 General Purpose Data Memory RAM

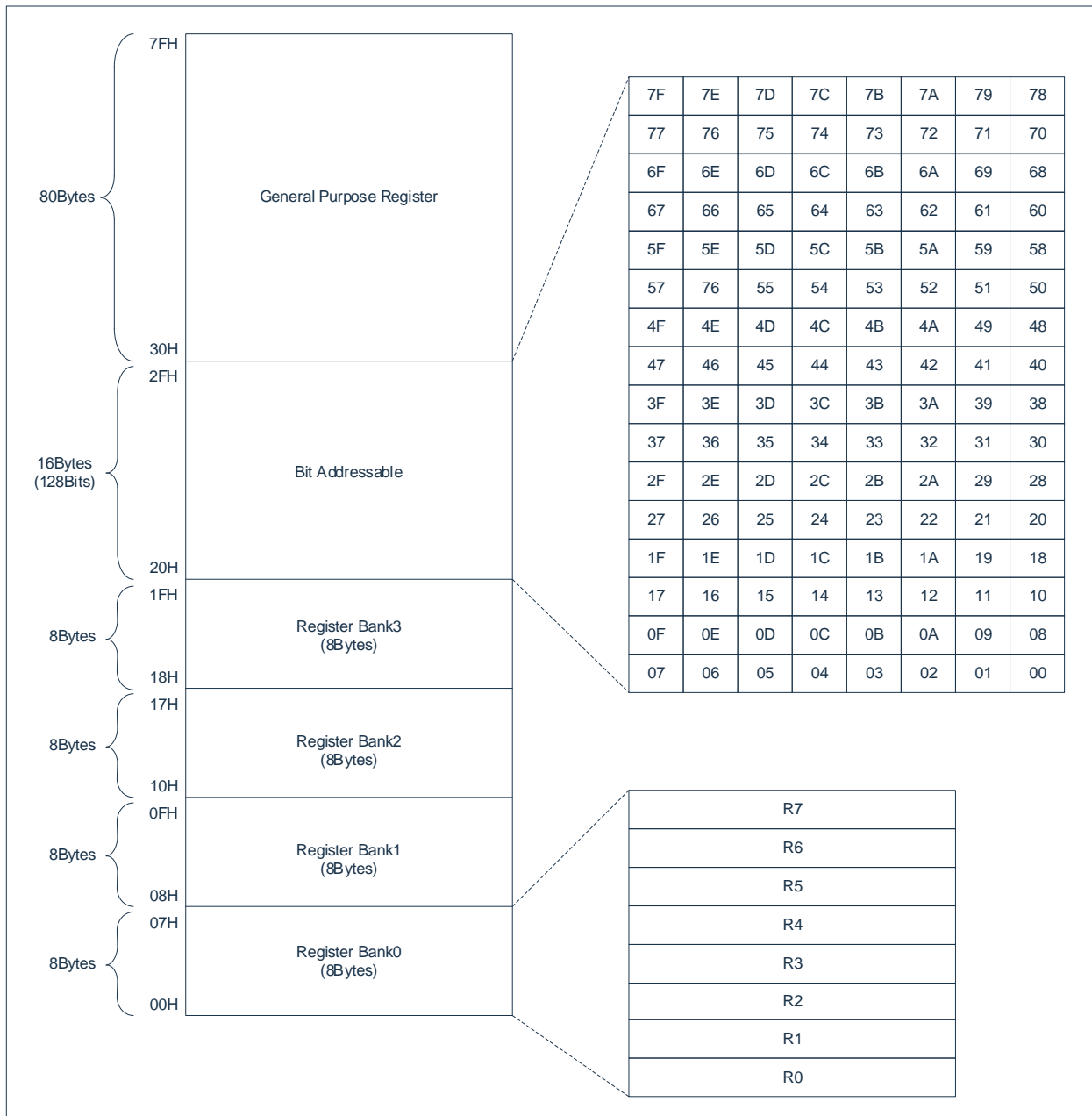
The internal data memory is divided into three parts: low 128Bytes, high 128Bytes, and special function register SFR. The RAM space allocation block diagram is shown in the following figure:





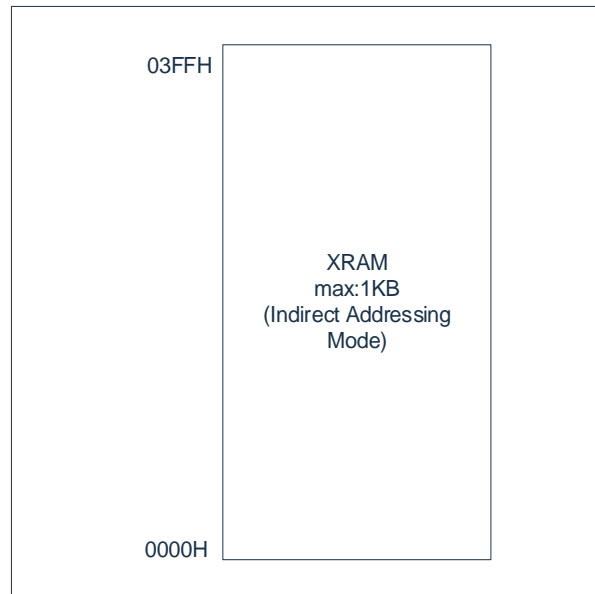
The high 128 Bytes shown above and SFR occupy the same area (80H to FFH), but they are independent. Storage spaces with direct addressing above 7FH (SFR) and indirect addressing above 7FH (128 Bytes high) go into different storage spaces.

The low 128Bytes spatial register allocation shown in the figure above is shown in the figure below. The lowest 32 bytes (00H~1FH) make up 4 register groups, each group of 8 storage units, with R0~R7 as the unit number, used to save operands and intermediate results. After reset, the 0 group is selected by default, and if a different register group is selected, it is decided by changing the program state. The 16 Bytes (20H to 2FH) behind the register bank form a bit-addressable storage space, and the RAM units in this area can operate either byte-by-byte or directly on each bit in the unit. With the remaining 80 storage units (30H to 7FH), users can set stack areas and store intermediate data.



## 2.4 General External Data Register XRAM

There is a maximum 1KB XRAM area inside the chip, this area is not connected to FLASH/RAM, and the XRAM space allocation block diagram is shown in the following figure:



XRAM/XSFR spatial access operates through DPTR data pointers, which consist of two sets of pointers: DPTR0, DPTR1, selected by the DPS registers. For example, through movx indirection operations, the assembly code is as follows:

MOV	R0.#01H	
MOV	A,#5AH	
MOVX	@R0,A	; Write the data in A to XRAM address 01H, the high 8-bit address is determined by DPH0/1

After target--> Memory Model is set to Large in Keil51, the C compiler will take XRAM as the variable address. XRAM/XSFR operations are generally performed with DPTR.

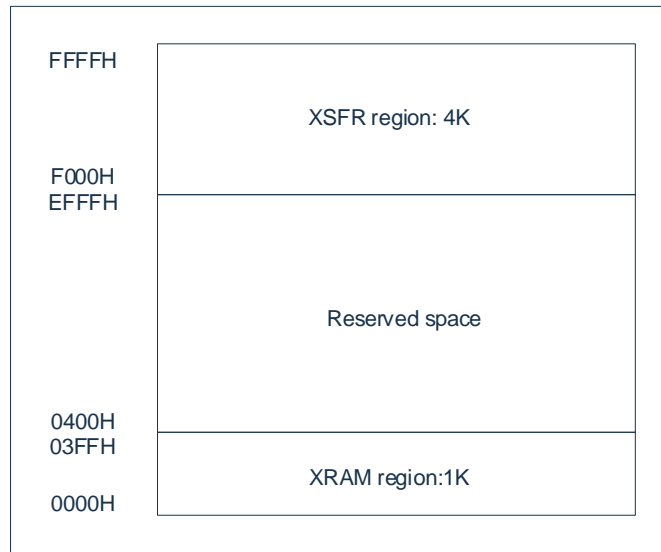
## 2.5 Special Function Register SFR

Special function registers refer to a set of registers with special purposes, essentially some on-chip RAM units with special functions, discretely distributed in the address range of 80H to FFH. Users can byte access them through direct addressing instructions, and addresses four bits lower than 0000 or 1000 can be addressed bitwise, such as P0, TCON, P1. The SFR register table is as follows:

	0/8	1/9	2/A	3/B	4/C	5/D	6/E	7/F
0xF8	--	--	--	MLOCK	MADRL	MADRH	MDATA	MCTRL
0xF0	B	I2CSADR	I2CSCR	I2CSBUF	I2CMSA	I2CMCR	I2CMBUF	I2CMTP
0xE8	--	ADCON2	SCON1	SBUF1	SPCR	SPSR	SPDR	SSCR
0xE0	ACC	--	TL4	TH4	--	--	--	--
0xD8	--	--	TL3	TH3	ADRESL	ADRESH	ADCON1	ADCON0
0xD0	PSW	ADCMPC	T34MOD	ADDLYL	ADCMPL	ADCMPH	--	--
0xC8	T2CON	T2IF	RLDL	RLDH	TL2	TH2	CCEN	T2IE
0xC0	--	--	CCL1	CCH1	CCL2	CCH2	CCL3	CCH3
0xB8	IP	EIP1	EIP2	--	WUTCRL	WUTCRH	BUZDIV	BUZCON
0xB0	P3	--	EIF2	--	P0EXTIF	P1EXTIF	P2EXTIF	P3EXTIF
0xA8	IE	--	EIE2	--	P0EXTIE	P1EXTIE	P2EXTIE	P3EXTIE
0xA0	P2	P1TRIS	P2TRIS	P3TRIS	--	--	--	--
0x98	SCON0	SBUF	P0TRIS	--	--	--	--	--
0x90	P1	FUNCCR	--	DPX0	--	DPX1	HE	WDCON
0x88	TCON	TMOD	TL0	TL1	TH0	TH1	CKCON	CLKDIV
0x80	P0	SP	DPL0	DPH0	DPL1	DPH1	DPS	PCON

## 2.6 External Special Function Register XSFR

XSFR is a special register shared by the addressing space and XRAM, mainly including: port control registers, other function control registers. Its addressing range is shown in the following figure:



The list of external special function registers is as follows:

address	symbol	Description
F000H	P00CFG	P00 port configuration register
F001H	P01CFG	P01 port configuration register
F002H	P02CFG	P02 port configuration register
F003H	P03CFG	P03 port configuration register
F004H	P04CFG	P04 port configuration register
F005H	P05CFG	P05 port configuration register
F006H	--	--
F007H	--	--
F009H	P0OD	P0-port open-drain control register
F00AH	P0UP	P0 port pull-up resistor control register
F00BH	P0RD	P0 port pull-down resistor control register
F00CH	P0DR	Port P0 drives the current control register
F00DH	P0SR	P0 port slope control register
F00EH	P0DS	P0 port data input select register
--	--	--
F013H	P13CFG	P13 port configuration register
F014H	P14CFG	P14 port configuration register
F015H	P15CFG	P15 port configuration register
F016H	P16CFG	P16 port configuration register
F017H	P17CFG	P17 port configuration register
F019H	P1OD	P1 port open-drain control register
F01AH	P1UP	P1 port pull-up resistor control register
F01BH	P1RD	P1 port pull-down resistor control register
F01CH	P1DR	Port P1 drives the current control register
F01DH	P1SR	P1 port slope control register
F01EH	P1DS	Port P1 data input select register
--	--	--
F020H	--	--

address	symbol	Description
F021H	P21CFG	P21 port configuration register
F022H	P22CFG	P22 port configuration register
F023H	P23CFG	P23 port configuration register
F024H	P24CFG	P24 port configuration register
F025H	P25CFG	P25 port configuration register
F026H	P26CFG	P26 port configuration register
F027H	--	--
F029H	P2OD	P2 port open-drain control register
F02AH	P2UP	P2 port pull-up resistor control register
F02BH	P2RD	P2 port pull-down resistor control register
F02CH	P2DR	Port P2 drives current control registers
F02DH	P2SR	P2 port slope control register
F02EH	P2DS	P2 port data input select register
--	--	--
F030H	P30CFG	P30 port configuration register
F031H	P31CFG	P31 port configuration register
F032H	P32CFG	P32 port configuration register
F033H	--	--
F034H	--	--
F035H	P35CFG	P35 port configuration register
F036H	P36CFG	P36 port configuration register
F037H	--	--
F039H	P3OD	P3 port open-drain control register
F03AH	P3UP	P3 port pull-up resistor control register
F03BH	P3RD	P3 port pull-down resistor control register
F03CH	P3DR	P3 port drives current control registers
F03DH	P3SR	P3 port slope control register
F03EH	P3DS	P3 port data input select register
--	--	--
F080H	P00EICFG	P00 interrupt control register
F081H	P01EICFG	P01 interrupt control register
F082H	P02EICFG	P02 port interrupt control register
F083H	P03EICFG	P03 interrupt control register
F084H	P04EICFG	P04 port interrupt control register
F085H	P05EICFG	P05 interrupt control register
--	--	--
F08BH	P13EICFG	P13 port interrupt control register
F08CH	P14EICFG	P14 interrupt control register
F08DH	P15EICFG	P15-port interrupt control register
F08EH	P16EICFG	P16 port interrupt control register
F08FH	P17EICFG	P17 interrupt control register
F090H	--	--
F091H	P21EICFG	P21 interrupt control register
F092H	P22EICFG	P22 port interrupt control register
F093H	P23EICFG	P23 interrupt control register
F094H	P24EICFG	P24 interrupt control register
F095H	P25EICFG	P25 interrupt control register
F096H	P26EICFG	P26 port interrupt control register

address	symbol	Description
F097H	--	--
F098H	P30EICFG	P30 port interrupt control register
F099H	P31EICFG	P31 port interrupt control register
F09AH	P32EICFG	P32 port interrupt control register
F09BH	--	--
F09CH	--	--
F09DH	P35EICFG	P35 port interrupt control register
F09EH	P36EICFG	P36 port interrupt control register
F09FH	--	--
--	--	--
F0C0H	PS_INT0	External interrupt 0 input port allocation register
F0C1H	PS_INT1	External interrupt 1 input port allocation register
F0C2H	PS_T0	Timer0 external clock input port assignment register
F0C3H	PS_T0G	Timer0 gated input port assignment register
F0C4H	PS_T1	Timer1 external clock input port assignment register
F0C5H	PS_T1G	Timer1 gated input port assignment register
F0C6H	PS_T2	Timer2 external event or gated input port assignment register
F0C7H	PS_T2EX	Timer2 drops along the autoreload input port allocation register
F0C8H	PS_CAP0	The Timer2 input captures channel 0 port assignment registers
F0C9H	PS_CAP1	The Timer2 input captures the channel 1 port assignment register
F0CAH	PS_CAP2	The Timer2 input captures the channel 2 port assignment register
F0CBH	PS_CAP3	The Timer2 input captures the channel 3 port assignment register
F0CCH	PS_ADET	The ADC's external trigger input port allocates registers
F0CDH	PS_FB	External brake signal port assignment registers for the PWM
--	--	--
F120H	PWMCON	PWM control registers
F121H	PWMOE	PWM output enable register
F122H	PWMPINV	PWM output polarity selection register
F123H	PWM0PSC	PWM0/PWM1 prescale control registers
F124H	PWM2PSC	PWM2/PWM3 prescale control registers
F125H	PWM4PSC	PWM4/PWM5 prescale control registers
F126H	PWMCNTE	The PWM count starts the control register
F127H	PWMCNTM	PWM counting mode select register
F128H	PWMCNTCLR	PWM counter clears control registers
F129H	PWMLOADEN	PWM loads the enable control register
F12AH	PWM0DIV	PWM0 divider control register
F12BH	PWM1DIV	PWM1 crossover control register
F12CH	PWM2DIV	PWM2 divide-control register
F12DH	PWM3DIV	PWM3 divide-control register
F12EH	PWM4DIV	PWM4 divide-control register
F12FH	PWM5DIV	PWM5 divide-control register
F130H	PWMP0L	The PWM0 cycle data register is 8 bits lower
F131H	PWMP0H	The PWM0 periodic data register is 8 bits high
F132H	PWMP1L	The PWM1 cycle data register is 8 bits lower
F133H	PWMP1H	The PWM1 cycle data register is 8 bits high

address	symbol	Description
F134H	PWMP2L	The PWM2 cycle data register is 8 bits lower
F135H	PWMP2H	The PWM2 cycle data register is 8 bits high
F136H	PWMP3L	The PWM3 cycle data register is 8 bits lower
F137H	PWMP3H	The PWM3 cycle data register is 8 bits high
F138H	PWMP4L	The PWM4 cycle data register is 8 bits lower
F139H	PWMP4H	The PWM4 cycle data register is 8 bits high
F13AH	PWMP5L	The PWM5 cycle data register is 8 bits lower
F13BH	PWMP5H	The PWM5 cycle data register is 8 bits high
--	--	--
F140H	PWMD0L	PWM0 compares 8 bits lower to the data register
F141H	PWMD0H	PWM0 compares the data register 8 bits higher
F142H	PWMD1L	PWM1 compares 8 bits lower to the data register
F143H	PWMD1H	PWM1 compares the data registers 8 bits higher
F144H	PWMD2L	PWM2 compares 8 bits lower to the data register
F145H	PWMD2H	PWM2 compares the data registers 8 bits higher
F146H	PWMD3L	PWM3 compares 8 bits lower to the data register
F147H	PWMD3H	PWM3 compares the data registers 8 bits higher
F148H	PWMD4L	PWM4 compares 8 bits lower to the data register
F149H	PWMD4H	PWM4 compares the data registers 8 bits higher
F14AH	PWMD5L	The PWM5 compares 8 bits lower to the data register
F14BH	PWMD5H	PWM5 compares the data registers 8 bits higher
--	--	--
F150H	PWMDD0L	PWM0 asymmetrically compares the data registers 8 bits lower
F151H	PWMDD0H	PWM0 asymmetrically down-compares the data registers 8 bits higher
F152H	PWMDD1L	PWM1 asymmetrically down compares the data registers 8 bits lower
F153H	PWMDD1H	PWM1 asymmetrically compares down to the data register 8 bits high
F154H	PWMDD2L	PWM2 asymmetrically compares the data registers 8 bits lower
F155H	PWMDD2H	PWM2 asymmetrically compares the data registers 8 bits higher
F156H	PWMDD3L	PWM3 asymmetrically down-compares the data registers 8 bits lower
F157H	PWMDD3H	PWM3 asymmetrically down-compares the data registers 8 bits higher
F158H	PWMDD4L	PWM4 asymmetrically down-compares the data registers 8 bits lower
F159H	PWMDD4H	PWM4 asymmetrically down-compares the data registers 8 bits higher
F15AH	PWMDD5L	PWM5 asymmetrically compares down to 8 bits lower the data register
F15BH	PWMDD5H	PWM5 asymmetrically down-compares the data registers 8 bits high
--	--	--
F160H	PWMDTE	PWM programmable dead-time delay control registers
F161H	PWM01DT	PWM0/PWM1 programmable dead-time delay time register
F162H	PWM23DT	PWM2/PWM3 programmable dead time delay register
F163H	PWM45DT	PWM4/PWM5 programmable dead-time delay time register
F164H	PWMMASKE	The PWM mask enables the control registers
F165H	PWMMASKD	PWM mask data registers
F166H	PWMFBKC	PWM brake control registers

address	symbol	Description
F167H	PWMFBKD	PWM brake data registers
F168H	PWMPPIE	PWM cycle interrupt enable register
F169H	PWMZIE	PWM zero-point interrupt enable register
F16AH	PWMUIE	PWM up compares interrupt enable registers
F16BH	PWMDIE	PWM compares down the interrupt enable register
F16CH	PWMPPIF	PWM cycle interrupt flag register
F16DH	PWMZIF	PWM zero-point interrupt flag register
F16EH	PWMUIF	PWM up compares the interrupt flag registers
F16FH	PWMDIF	PWM compares the interrupt flag registers downwards
--	--	--
F500H	C0CON0	Comparator 0 controls register 0
F501H	C0CON1	Comparator 0 controls register 1
F502H	C0CON2	Comparator 0 controls register 2
F503H	C1CON0	Comparator 1 controls register 0
F504H	C1CON1	Comparator 1 controls register 1
F505H	C1CON2	Comparator 1 controls register 2
F506H	CNVRCON	Comparator reference voltage control register
F507H	CNFBCON	Comparator brake control registers
F508H	MISS	Comparator interrupt enable register
F509H	CNIF	Comparator interrupt flag register
F50AH	C0ADJE	Comparator 0 adjusts the bit selection register
F50BH	C1ADJE	Comparator 1 adjusts the bit selection register
F50CH	C0HYS	Comparator 0 hysteresis control register
F50DH	C1HYS	Comparator 1 hysteresis control register
--	--	--
F520H	OP0CON0	Op amp 0 controls register 0
F521H	OP0CON1	Op Amp 0 controls register 1
F522H	--	--
F523H	OP1CON0	Op Amp 1 controls register 0
F524H	OP1CON1	Op Amp 1 controls register 1
F525H	--	Unused
F526H	OP0ADJE	Op amp 0 adjusts the select register
F527H	OP1ADJE	Op Amp 1 adjusts the bit selection register
--	--	--
F529H	PGAACON0	PGA control register 0
F52AH	PGAACON1	PGA control register 1
F52BH	PGAACON2	PGA control register 2
F52CH	PGAACON3	PGA control register 3
F52DH	PGAADJE	PGA adjustment bit selection register
--	--	Unused
F5C0H	BRTCON	The BRT module controls the registers
F5C1H	BRTDL	The BRT timer loads 8 bits lower
F5C2H	BRTDH	The BRT timer loads 8 bits higher
--	--	--
F690H	LVDCON	Power supply monitor registers
F691H	BOOTCON	BOOT control registers
F692H	ADCLDO	ADC reference voltage control register
--	--	-



address	symbol	Description
F694H	LSECRL	The LSE timer data register is 8 bits lower
F695H	LSECRH	The LSE timer data register is 8 bits high
F696H	LSECON	LSE timer controls registers
--	--	--
F5E0H	UID0	UID<7:0>
F5E1H	UID1	UID<15:8>
F5E2H	UID2	UID<23:16>
F5E3H	UID3	UID<31:24>
F5E4H	UID4	UID<39:32>
F5E5H	UID5	UID<47:40>
F5E6H	UID6	UID<55:48>
F5E7H	UID7	UID<63:56>
F5E8H	UID8	UID<71:64>
F5E9H	UID9	UID<79:72>
F5EAH	UID10	UID<87:80>
F5EBH	UID11	UID<95:88>

## 3. Reset

Reset Time refers to the time from the time the chip resets to the time when the chip starts executing instructions, and its default design value is about 16ms. This time includes oscillator start time, configuration time. This reset time will exist whether the chip is powered on reset or otherwise caused by a reset. In addition, when the oscillator is selected as an external low-speed crystal oscillation (32.768KHz), the reset time (including the vibration time) is about 1.5s (external capacitor 10pF~22pF) by default.

The chip can be reset in the following ways:

- ◆ Power-on reset;
- ◆ External reset;
- ◆ Low voltage reset;
- ◆ Watchdog overflow reset;
- ◆ Software reset;
- ◆ CONFIG state protection reset;
- ◆ Power-on configuration monitoring reset.

When any of the above resets occur, all system registers will return to their default state, the program will stop running, the program counter PC will be cleared to zero, and the program will run from the reset vector 0000H after the reset is completed.

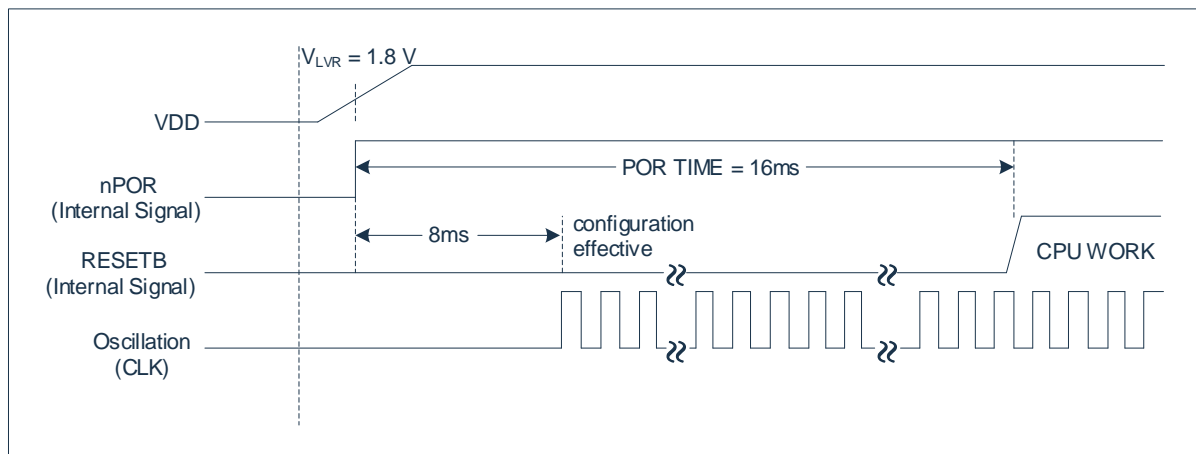
Any kind of reset situation requires a certain response time, and the system provides a perfect reset process to ensure the smooth progress of the reset operation.

### 3.1 Power-on Reset

Power-on reset is closely related to LVR operation. The process of powering up the system takes a gradually rising curve and takes some time to reach the normal level. The normal timing of the power-on reset is given below:

- Power-up: the system detects that the supply voltage is rising and waits for it to stabilize;
- System initialization: all system registers are set to initial values;
- The oscillator begins to work: the oscillator begins to provide the system clock;
- Execute the program: The power-up ends and the program starts running.

Stabilization Time defaults to 16ms, but if the configuration selects a 32.768KHz crystal oscillator, the settling time is about 1.5s. The power-on reset timing diagram is shown in the following figure:



Whether the system is power-on reset can be determined by the PORF (WDCON. 6) flag bit. The reset types that can set the PORF flag bit to 1 include: power-on reset, LVR reset, power-on monitoring reset, CONFIG protection reset, and external reset.

Reset source Flag bit	Power-on reset	LVR low voltage reset	Power-on monitoring reset	CONFIG protection reset	Software reset	External reset	Watchdog reset
SWRST	0	0	0	0	1	0	Not affected
PORF	1	1	1	1	Not affected	1	Not affected
EXTIF	0	0	Not affected	Not affected	Not affected	1	Not affected
FXTIF	0	0	Not affected	1	Not affected	Not affected	Not affected
WDTRF	0	0	0	0	Not affected	0	1
WWDTRF	0	0	Not affected	Not affected	Not affected	Not affected	Not affected

0x97	Bit7	Bit6	Bit5	Bit4	Bit3	Bit2	Bit1	Bit0
WDCON	SWRST	PORF	--	--	WDTIF	WDTRF	WDTRE	WDTCLR
R/W	R/W	R/W	R	R	R/W	R/W	R/W	R/W
Reset Value	0	1	0	0	0	0	0	0

- Bit7      SWRST: Software reset control bit;  
             1: Perform a system software reset (write 0 to clear after reset).  
             0: --
- Bit6      PORF: Power-on reset marker;  
             1: The system resets the system at power-on (write 0 to clear, do not need TA to write timing).  
             0: --
- Bit5~Bit4      -- Reserved, must be 0.
- Bit3      WDTIF: WDT overflow interrupt flag bit;  
             1= WDT overflow (write 0 to clear);  
             0= WDT does not overflow.
- Bit2      WDTRF: WDT reset marker bit;  
             1= The system is reset by WDT (write 0 to clear);  
             0= The system is not reset by WDT.
- Bit1      WDTRF: WDT reset enable bit;  
             1= Enable WDT reset CPU;  
             0= Disable WDT reset cpu.
- Bit0      WDTCLR: WDT counter clear bit;  
             1= Clear WDT counter (hardware auto clear to zero);  
             0= Disables the WDT counter (write 0 is invalid).

## 3.2 External Reset

External reset refers to a reset signal from an external port (NRST) that resets the chip after being input by a Schmitt trigger. If the NRST pin remains low above about 16us (internal LSI clock sampled with 3 rising edges) during operating voltage range and stable oscillation, a reset is requested. After the internal state is initialized and reset state changes to "1", it takes 16ms of settling time for the internal RESETB signal to become "1", and the program starts at vector address 0000H.

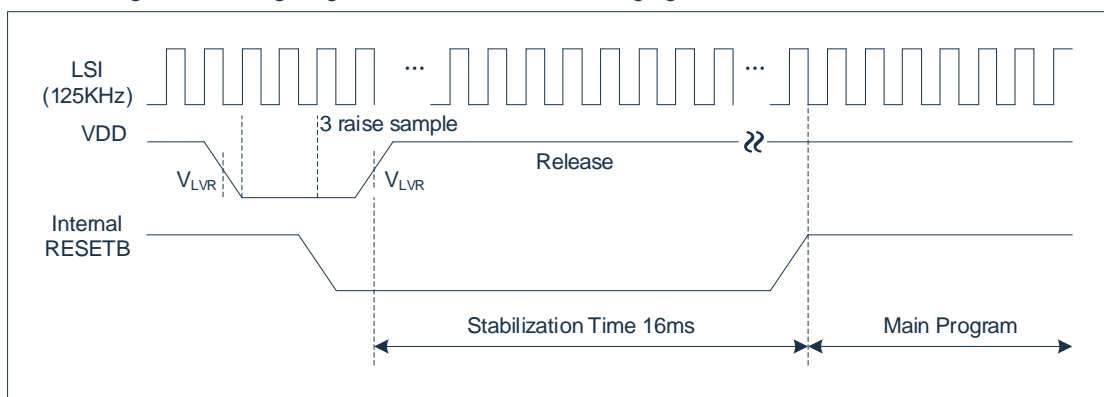
The process of reconfiguring the chip during Stabilization Time is the same as the configuration process for power-on reset. The external reset pin NRST and its pull-up resistor enable, configured via CONFIG.

## 3.3 LVR Low-voltage Reset

A low-voltage reset (LVR) function is integrated inside the chip, and when the system voltage VDD falls below the LVR voltage, the LVR is triggered and the system resets. The voltage point that triggers the reset can be set in CONFIG.

The LVR module detects that the  $VDD < V_{LVR}$ , requests a reset. In sleep mode (STOP) mode, lvr low-voltage reset disables.

The LVR low-voltage reset timing diagram is shown in the following figure:



The process of reconfiguring the chip during Stabilization Time is the same as the configuration process for power-on reset.

### 3.4 Watchdog Reset

Watchdog reset is a protective setting of the system. In normal condition, the watchdog timer is cleared to zero by the program. If an error occurs, the system is in an unknown state, the watchdog timer overflows, and the system resets. After the watchdog is reset, the system reboots into a normal state.

WDT counter is not addressable, the program starts counting after the power-on reset is completed, and it is recommended to clear the WDT counter first when setting the WDT register in order to accurately control the overflow time of the WDT.

The timing of the watchdog reset is as follows:

- 1) Watchdog timer status: the system detects whether the watchdog timer overflows, if overflowing, the system resets;
- 2) Initialization: all system registers are set to the default state;
- 3) Program: The reset is complete and the program starts running from 0000H.

The clock source for the WDT is provided by the system clock, and the timing base period of the WDT counter is  $T_{sys}$ . After the WDT overflow resets the CPU with all registers, the program executes immediately after 1  $T_{sys}$  from 0000H. The WDT reset does not reconfigure the power-on reset. The overflow time of the watchdog can be set by the program, and the overflow time can be selected in the CKCON register WDS2-WTS0. The watchdog overflow time is shown in the following table:

WTS[2:0]	Watchdog Interval	Number of clocks	OVT@Fsys=16MHz	OVT@Fsys=48MHz
000	$2^{17}$	131072	8.192ms	2.731ms
001	$2^{18}$	262144	16.384ms	5.461ms
010	$2^{19}$	524288	32.768ms	10.923ms
011	$2^{20}$	1048576	65.536ms	21.845ms
100	$2^{21}$	2097152	131.072ms	43.691ms
101	$2^{22}$	4194304	262.144ms	87.381ms
110	$2^{24}$	16777216	1.048s	349.525ms
111	$2^{26}$	67108864	4.194s	1.398s

WDT can also be set to not reset the system, which can produce an interrupt.

### 3.5 Software Reset

Inside the chip, the program software resets, which relocates the program flow to the reset address 0000H and then runs the program again. The user-writable software reset control bit WDCON[7] (SWRST=1) implements a custom software reset. The software reset does not reconfigure the power-on reset.

### 3.6 CONFIG Status Protection Reset

CONFIG state protection reset is an enhanced protection mechanism of the system. During power-on reset, there is an internal set of 16-bit CONFIG registers that load the fixed code set in flash (A569H) and do not operate during normal operation. If, in the case of a particular non-program operation, the value of the register changes and is not equal to the original fixed code, and after several clock samples, the register continues to remain in a state that is not fixed code, the system will reset.

This reset mechanism prevents changes in configuration bits under certain conditions, so that the system enters an unpredicted state.

In normal operation, the clock of the sample register value is the internal RC fixed clock Fixed\_Clock (8MHz, clock source from HSI) and low power clock (LSI 125KHz), once the value of the register is not a fixed code, force the LSI oscillator and HSI oscillator to be enabled, and the system clock switches to the LSI clock, if after 12 Fixed\_Clock sampling or 3 LSI clock sampling, the register remains not in a fixed code state, The system generates a reset.

Under certain conditions, in order to prevent the oscillator from stopping, two clocks are used for sampling.

### 3.7 Power-on Configuration Monitor Reset

In the power-on configuration process, there is a configuration monitoring circuit inside the chip, if the power-on configuration time is too long, or the power-on configuration into a certain state can not be reconfigured, the internal monitoring circuit from the configuration to start timing, if more than the setting time, the monitoring circuit reset configuration module, so that the configuration module reconfiguration process. In case the system enters an unpredicted state when powered up.

The monitoring circuit operates at LSI (125KHz), the default monitoring time is 65ms, and if the 32.768KHz crystal oscillator is selected, the monitoring time is 2.1s.

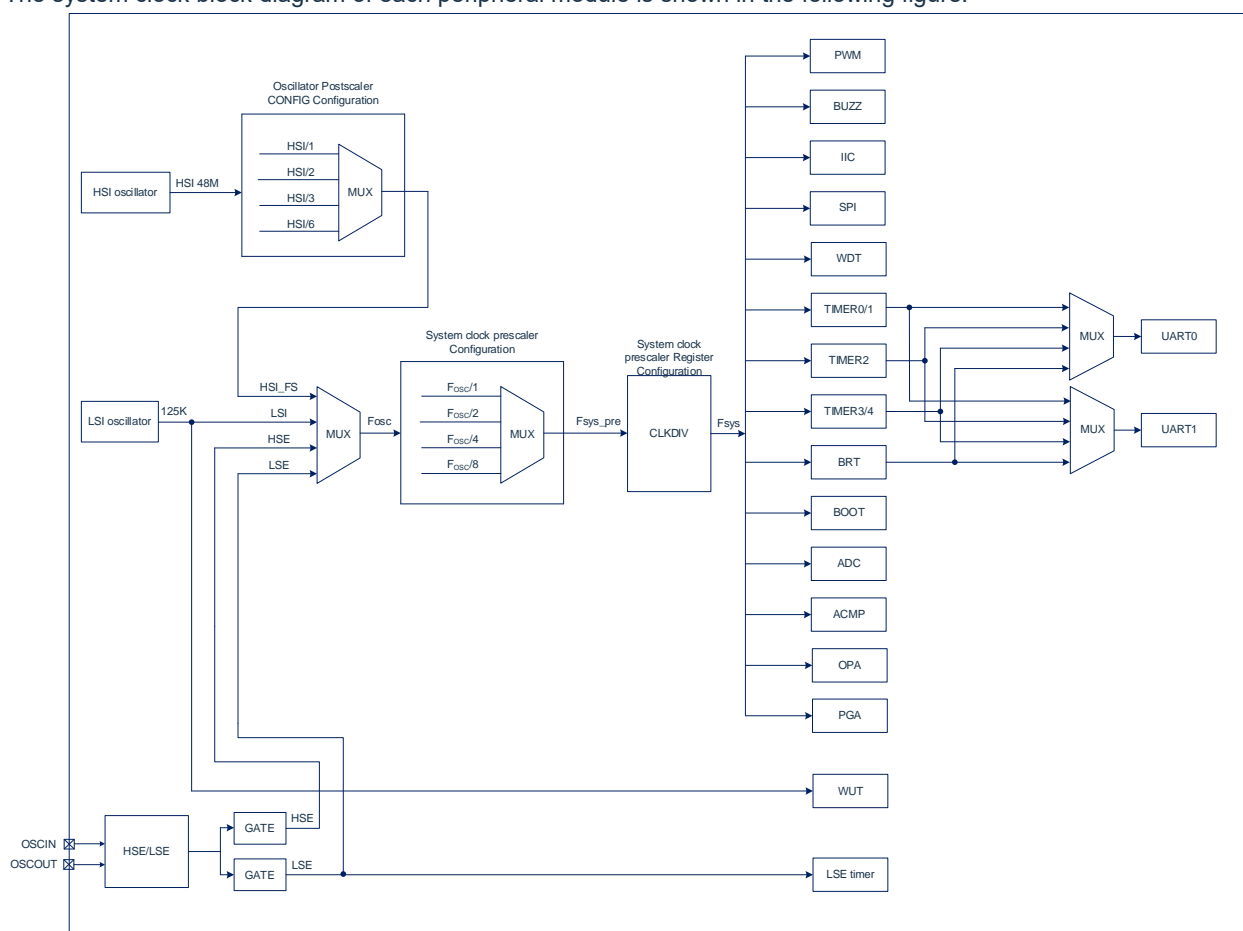
## 4. Clock Structure

There are four types of clock sources for system clocks, and clock source and clock divider can be selected by setting the system configuration register or user register. The system clock sources are as follows:

- ◆ Internal high-speed oscillation HSI (48MHz).
- ◆ External high-speed oscillation HSE (8MHz/16MHz).
- ◆ External low-speed oscillation LSE (32.768KHz).
- ◆ Internal low-speed oscillation LSI (125KHz).

### 4.1 System Clock Structure

The system clock block diagram of each peripheral module is shown in the following figure:



## 4.2 Related Registers

### 4.2.1 Oscillator Control Register CLKDIV

0x8F	Bit7	Bit6	Bit5	Bit4	Bit3	Bit2	Bit1	Bit0
CLKDIV	CLKDIV7	CLKDIV6	CLKDIV5	CLKDIV4	CLKDIV3	CLKDIV2	CLKDIV1	CLKDIV0
R/W	R/W	R/W	R/W	R/W	R/W	R/W	R/W	R/W
Reset Value	0	0	0	0	0	0	0	0

Bit7~Bit0            CLKDIV<7:0>: System clock Fsys divider;  
                           00H= Fsys=Fsys\_pre;  
                           Other = Fsys=Fsys\_pre/ (2\*CLKDIV) (2,4... 510 division).

Modify the sequence of instructions required by CLKDIV (no other instructions can be inserted in the middle):

MOV	TA,#0AAH
MOV	TA,#055H
MOV	CLKDIV,#02H

### 4.2.2 Function Clock Control Registers

Watchdog overflow time/timer clock source selection register CKCON

0x8E	Bit7	Bit6	Bit5	Bit4	Bit3	Bit2	Bit1	Bit0
CKCON	WTS2	WTS1	WTS0	T1M	T0M	--	--	--
R/W	R/W	R/W	R/W	R/W	R/W	R/W	R/W	R/W
Reset Value	0	0	0	0	0	1	1	1

Bit7~Bit5            WTS<2:0>: WDT overflow time selection bits;  
                           000=  $2^{17} \cdot T_{sys}$ ;  
                           001=  $2^{18} \cdot T_{sys}$ ;  
                           010=  $2^{19} \cdot T_{sys}$ ;  
                           011=  $2^{20} \cdot T_{sys}$ ;  
                           100=  $2^{21} \cdot T_{sys}$ ;  
                           101=  $2^{22} \cdot T_{sys}$ ;  
                           110=  $2^{24} \cdot T_{sys}$ ;  
                           111=  $2^{26} \cdot T_{sys}$ .

Bit4                 T1M: Timer1's clock source select bit;  
                           0= Fsys/12;  
                           1= Fsys/4.

Bit3                 T0M: Clock source select bit of Timer0;  
                           0= Fsys/12;  
                           1= Fsys/4.

Bit2~Bit0            -- Reserved, must be 1.



UART0/1 baud rate selection register FUNCCR

0x91	Bit7	Bit6	Bit5	Bit4	Bit3	Bit2	Bit1	Bit0
FUNCCR	--	--	--	--	UART1_CKS1	UART0_CKS1	UART1_CKS0	UART0_CKS0
R/W	R/W	R/W	R/W	R/W	R/W	R/W	R/W	R/W
Reset Value	0	0	0	0	0	0	0	0

Bit7~Bit4 -- Reserved, must be 0.

- Bit3      UART1\_CKS1: The timer clock source of UART1 selects the bit high bit, {UART1\_CKS1, UART1\_CKS};
- 00= Overflow clock for Timer1;
  - 01= Overflow clock for Timer4;
  - 10= Overflow clock for Timer2;
  - 11= BRT overflow clock;
- Bit2      UART0\_CKS1: The timer clock source of UART0 selects the bit high bit, {UART0\_CKS1, UART0\_CKS};
- 00= Overflow clock for Timer1;
  - 01= Overflow clock for Timer4;
  - 10= Overflow clock for Timer2;
  - 11= BRT overflow clock;
- Bit1      UART1\_CKS: UART1's timer clock source is selected at a low position, see UART1\_CKS1 description;
- Bit0      UART0\_CKS: UART0's timer clock source is selected at a low position, see UART1\_CKS0 description;

## 5. Power Management

Low-power modes fall into 2 categories:

- ◆ IDLE: Idle mode
- ◆ STOP: Sleep mode

When users use C language for program development, it is strongly recommended to use IDLE and STOP macros to control the system mode, and do not directly set THE IDLE and STOP bits. The macros are as follows:

Enter idle mode: IDLE();

Enter sleep mode: STOP();

### 5.1 Power Management Register PCON

0x87	Bit7	Bit6	Bit5	Bit4	Bit3	Bit2	Bit1	Bit0
PCON	SMOD0	SMOD1	--	--	--	THEIR	STOP	IDLE
R/W	R/W	R/W	R/W	R/W	R/W	R/W	R/W	R/W
Reset Value	0	0	0	0	0	0	0	0

Bit7	SMOD0: UART0 baud rate multiplier; 0= UART0 baud rate is normal; 1= The UART0 baud rate doubles.
Bit6	SMOD1: UART1 baud rate multiplier; 0= UART1 baud rate is normal; 1= The UART1 baud rate is doubled.
Bit5~Bit3	-- Reserved, all must be 0.
Bit2	THEIR: STOP status function wake-up enable bit; (The system can be restarted by a power-down reset or an enabled external reset regardless of the SWE value) 0= Disables functional wake-up; 1= Enables function wake-up (wake-up by external interrupt and timed wake-ups).
Bit1	STOP: Sleep state control bit; 0= Not in hibernation; 1= Enters a hibernate state (exits STOP mode to automatically clear zero).
Bit0	IDLE: Idle state control bit; 0= Not in the idle state; 1= Enter the idle state (exit IDLE mode to clear automatically).

## 5.2 Power Supply Monitor Register LVDCON

The MCU comes with a power supply detection function. If the LVD module enable (LVDEN=1) is set and the voltage monitoring point LVDSEL is set, when the power supply voltage drops below the LVD setpoint, an interrupt will be generated to alert the user.

If the LVD module is enabled before hibernation, the hardware will not close the module circuit after entering hibernation, and a software shutdown is required (LVDEN=0).

0xF690	Bit7	Bit6	Bit5	Bit4	Bit3	Bit2	Bit1	Bit0
LVDCON	--	LVDSEL2	LVDSEL1	LVDSEL0	LVDEN	--	LVDINTE	LVDINTF
R/W	R/W	R/W	R/W	R/W	R/W	R/W	R/W	R/W
Reset Value	0	0	0	0	0	0	0	0

Bit7                    -- Reserved, must be 0.

Bit6~Bit4    LVDSEL<2:0>: LVD voltage monitoring points;

000= 2.0V

001= 2.2V

010= 2.4V

011= 2.7V

100= 3.0V

101= 3.7V

110= 4.0V

111= 4.3V

Bit3                    LVDEN: LVD module enable;

0= Disabled;

1= Enable.

Bit2                    -- Reserved, must be 0.

Bit1                    LVDINTE: LVD interrupt enable bit;

0= LVD Interrupt disabled;

1= LVD interrupt enablement.

Bit0                    LVDINTF: LVD interrupt flag bit;

0= The supply voltage is higher than the monitoring voltage;

1= The supply voltage is lower than the monitor voltage (software zero).

## 5.3 IDLE Idle Mode

In this mode, only the CPU clock source is turned off. As a result, peripheral functions (such as timers, PWM, and I2C) and clock generators (HSI/crystal drivers) are still functioning in this state.

After the system enters idle mode, it can be woken up by any interrupt, enter the interrupt handler after waking, and continue to perform the post-hibernation operation after the interrupt returns.

If idle mode is entered in the interrupt service program, the system can only be woken up by a higher priority interrupt.

## 5.4 STOP Sleep Mode

In this mode, all circuits except the LVD module and LSE module are shut down (the LVD/LSE module must be closed by software), the system is in a low-power mode, and the digital circuits are not working.

### 5.4.1 Sleep Wakes up

After entering the sleep mode, you can turn on the sleep wake function (SWE=1 need to be set) to wake up the sleep mode. There are several ways to wake up sleep mode:

1) INT0/1 interrupt

With INT0/1 interrupt wake-up sleep mode, the global interrupt enable must be turned on with the INT0/1 interrupt enable before entering hibernation to wake up the system. INT0, INT1 interrupt-related registers include IE, IP, TCON, IO multiplexed mapping registers, INT0/1 interrupt wake-up can only drop along the interrupt wake-up sleep.

2) External (GPIO) Interrupt

With an external GPIO interrupt wake-up, the global interrupt enable and the port interrupt enable must be turned on before entering hibernation to wake up the system. External GPIO interrupt wake-up can be selected for rising-edge, falling-edge, dual-edge interrupt wake-up sleep, and the interrupt wake-up edge is set by the external interrupt control register PxnEICFG.

3) WUT timed wake-up

To wake up by WUT, the timed wake function must be turned on before entering hibernation, and the hibernation state must be set to the time of wake-up. The clock source of the timed wake-up circuit is provided by the LSI (Low Power Oscillator), and the timed wake-up function is turned on automatically when the timed wake-up function is turned on in the sleep state.

4) LSE timed wake-up

To wake up by LSE timing, the LSE module enable, count enable, and timed wake function must be turned on before entering hibernation, and the hibernation state must be set to wake up time.

### 5.4.2 Wake-up Wait State

Whether it is an INT0/1 interrupt, an external GPIO interrupt, or a WUT timed wake-up, LSE timed wake-up sleep mode, after the interrupt is generated or the configured time arrives, it takes a period of time to wake up the system and execute the next instruction of the program. After the interrupt is generated or the configured time expires, the system oscillator starts, but the oscillation frequency is not stable, the CPU is not working, the PC still stops in hibernation, and the system needs to wait for a period of time to provide the clock to the CPU. The wait time to wake up the CPU is set in the flashing CONFIG, and the wait time can be set to 50us~1s. After the wake-up wait time, the MCU believes that the system clock has stabilized, and then provides the clock to the CPU, and the program continues to execute.

If both the internal wake-up timer and the external interrupt wake-up function are turned on, either wake-up mode can wake up the CPU after the system enters sleep mode. If the internal timer wakes up the oscillator first and then has an external interrupt input, after the wake-up wait time has elapsed, the program executes the interrupt handler and then continues with the instructions after the hibernation operation.

### 5.4.3 Sleep Wake-up Time

The total wake-up time of the system with an external interrupt wake-up system is:

Power Manager Settling Time (200us) + Wake-up Wait Time

The total wake-up time of the system with timed wake-up is:

Power Manager Settling Time (200us) + Timing of wake-up timer + Wake-up wait time

(The above given time condition is  $F_{sys} > 1\text{MHz}$ )

### 5.4.4 Reset Operation Under Sleep

In sleep mode, the system can also be restarted by power-down reset or external reset, independent of the value of SWE, even if SWE=0 can also restart the system by the above reset operation.

Power-down reset: No other conditions are required, VDD is reduced to 0V and then powered back on to the working voltage and enters the power-on reset state.

External reset: you need to open the external reset function, the relevant port is configured as a dedicated reset port, the reset port remains low >1us when sleeping, the system generates a reset, release the reset port, then the system restarts.

### 5.4.5 Sleep Power Consumption in Debug Mode

The sleep state in debug mode does not reflect the actual chip sleep state.

In debug mode, after the system enters a sleep state, the associated power management circuit, the oscillator does not turn off, but continues to turn on. Wake-up operations can also be performed in debug mode in the same way as normal mode.

Therefore, in this state, the sleep current obtained by the test is not the real sleep power consumption. It is recommended to turn off debug mode after the development of the sleep wake function is completed in debug mode, and then restart the system, at which time the measured current is the actual sleep power consumption.

### 5.4.6 Example of a Sleep Mode Application

Before the system enters the sleep mode, if the user needs to obtain a small sleep current, please confirm the state of all I/O, if there is a suspended I/O port in the user solution, set all the suspended ports as output ports, to ensure that each input port has a fixed state, to prevent I/O as the input state, the port line level is in a static state and increase the sleep current; Power down ADC modules, LSE modules, LVD modules, and other peripherals to reduce sleep current.

Example: Handler that goes into hibernation when using a timed wake-up (assembler)

```

SLEEP_MODE:
    MOV                WUTCRL,#31h
    MOV                WUTCRLH,#80h
    MOV                POTRIS,#0FFh
    MOV                P0,#0FFh
    MOV                P1TRIS,#0FFh
    MOV                P1,#0FFh
    MOV                P2TRIS,#0FFh
    MOV                P2,#0FFh
    MOV                P3TRIS,#0FFh
    MOV                P3,#0FFh
    Instructions to turn off other
    functions
    MOV                PCON,#06H        ; Perform a hibernation operation that can be
                                        woken up,
    NOP
    NOP
    NOP
    NOP
    NOP
    NOP
    NOP                ; The instruction to perform the sleep operation must be followed by
    NOP                6 NOP instructions
    Other action instructions after
    wake-up
  
```

## 6. Interrupt

### 6.1 Interrupt Overview

The chip has 21 interrupt sources and interrupt vectors:

Interrupt source	Interrupt description	Interrupt vector	Sibling priority sequence
INT0	External interrupt 0	0-0x0003	1
Timer0	Timer 0 interrupt	1-0x000B	2
INT1	External interrupt 1	2-0x0013	3
Timer1	Timer 1 interrupt	3-0x001B	4
UART0	TI0 or RI0	4-0x0023	5
Timer2	Timer 2 interrupt	5-0x002B	6
UART1	TI1 or RI1	6-0x0033	7
P0EXTIF<7:0>	P0 port external interrupt	7-0x003B	8
P1EXTIF<7:0>	P1 port external interrupt	8-0x0043	9
P2EXTIF<7:0>	P2 port external interrupt	9-0x004B	10
P3EXTIF<7:0>	P3 port external interrupt	10-0x0053	11
--	--	11-0x005B	12
LVD	LVD power-down Interrupt	12-0x0063	13
LSE_Timer	LSE timer interrupt	13-0x006B	14
ACMP	Comparator interrupt	14-0x0073	15
Timer3	Timer 3 interrupt	15-0x007B	16
Timer4	Timer 4 interrupt	16-0x0083	17
--	--	17-0x008B	18
PWM	PWM interrupt	18-0x0093	19
ADC	ADC interrupt	19-0x009B	20
WDT	WDT interrupt	20-0x00A3	21
I <sup>2</sup> C	I2C interrupt	21-0x00AB	22
SPI	SPI interrupt	22-0x00B3	23

The chip specifies two interrupt priorities, Enableing for two levels of interrupt nesting. When an interrupt has already responded, if a high-level interrupt is requested, the latter can interrupt the former, implementing interrupt nesting.

## 6.2 External Interrupt

### 6.2.1 INT0/INT1 Interrupt

Each pin of the chip supports 8051 native INT0, INT1 external interrupt, INT0/INT1 can choose to falling edge or low level to trigger interrupt, the relevant control register is TCON. INT0 and INT1 occupy two interrupt vectors.

### 6.2.2 GPIO Interrupt

Each GPIO pin of the chip supports an external interrupt and can support falling/rising/dual edge interrupt, with the edge trigger type configured through the P<sub>XN</sub>EICFG registers. For example, configure the P13 port to falling edge interrupt:

```
P13CFG=0x00; //Set P13 to GPIO
P1TRIS&=0xF7; Set P13 as the input port
P13EICFG=0x02; //Set P13 as a falling edge trigger interrupt
```

GPIO interrupt occupy a total of 4 interrupt vectors:

Port P0 occupies an interrupt vector 0x003B;

Port P1 occupies an interrupt vector 0x0043;

Port P2 occupies an interrupt vector 0x004B;

Port P3 occupies an interrupt vector 0x0053;

When an interrupt occurs, the interrupt service program can first determine which port triggered the interrupt, and then process it accordingly.

## 6.3 Interrupt With Sleep Wake-up

After the system enters sleep mode (STOP wakeable mode), each external interrupt can be set to wake up the system.

INT0/INT1 interrupt wake-up system needs to turn on the corresponding interrupt enable and global interrupt enable, and the wake-up mode is the falling edge wake-up (INT0/INT1 wake-up mode and interrupt trigger mode select bit IT0/IT1 are independent).

GPIO interrupt wake-up system, it is recommended to set the corresponding port interrupt trigger edge mode before entering sleep mode (GPIO wake-up mode is the same as interrupt trigger edge mode, you can choose rising edge/ falling edge /double edge wake-up), and turn on the corresponding interrupt enable and global interrupt enable.

After the system is woken up by an external interrupt, it first enters the interrupt service program to handle the interrupt wake task, and after exiting the interrupt service program, the system continues to perform instructions after the hibernation operation.

## 6.4 Interrupt Register

### 6.4.1 Interrupt Mask Registers

#### 6.4.1.1 Interrupt Mask Register IE

Interrupt mask register IE is a read-write register that can be operated bitwise. When an interrupt condition arises, the interrupt flag bit will be set to 1 regardless of the state of the corresponding interrupt enable bit or the global enable bit EA. The user software should ensure that the corresponding interrupt flag bits are cleared to zero before Enabling an interrupt.

0xA8	Bit7	Bit6	Bit5	Bit4	Bit3	Bit2	Bit1	Bit0
IE	SHE	ES1	ET2	ES0	ET1	EX1	ET0	EX0
R/W	R/W	R/W	R/W	R/W	R/W	R/W	R/W	R/W
Reset Value	0	0	0	0	0	0	0	0

Bit7	SHE: Global interrupt enable bits; 1= Enable all unblocked interrupt; 0= Disable all Interrupt.
Bit6	ES1: UART1 interrupt enable bit; 1= EnableS UART1 interrupt; 0= Dlsable UART1 Interrupt.
Bit5	ET2: TIMER2 Global interrupt Enable bits; 1= Enable all interrupt of TIMER2; 0= All interrupt of TIMER2 are Disabled.
Bit4	ES0: UART0 interrupt enable bit; 1= Enable UART0 interrupt; 0= Dlsable UART0 Interrupt.
Bit3	ET1: TIMER1 interrupt enable bit; 1= Enable TIMER1 interrupt; 0= Disabled TIMER1 Interrupt.
Bit2	EX1: External interrupt 1 interrupt Enables bits; 1= Enable external interrupt 1 interrupt; 0= Disable external interrupt 1 interrupt.
Bit1	ET0: TIMER0 interrupt enable bits; 1= Enable TIMER0 interrupt; 0= Disabled TIMER 0 Interrupt.
Bit0	EX0: External interrupt 0 interrupt enable bit; 1= Enable external interrupt 0 interrupt; 0= Disable external interrupt 0 interrupt.



**6.4.1.2 Interrupt Mask Register EIE2**

0xAA	Bit7	Bit6	Bit5	Bit4	Bit3	Bit2	Bit1	Bit0
EIE2	SPIIE	I2CIE	WDTIE	ADCIE	PWMIE	--	ET4	ET3
R/W	R/W	R/W	R/W	R/W	R/W	R/W	R/W	R/W
Reset Value	0	0	0	0	0	0	0	0

- Bit7      SPIIE: SPI interrupt enable bit;  
             1= Enable SPI interrupt;  
             0= Disabled SPI Interrupt.
- Bit6      I2CIE: I<sup>2</sup>C interrupt enable bit;  
             1= Enable I<sup>2</sup>C interrupt;  
             0= Disable I<sup>2</sup>C Interrupt.
- Bit5      WDTIE: WDT interrupt enable bit;  
             1= Enable WDT overflow interrupt;  
             0= Disable WDT overflow interrupt.
- Bit4      ADCIE: ADC interrupt enable bit;  
             1= Enable ADC interrupt;  
             0= Disabled ADC Interrupt.
- Bit3      PWMIE: PWM global interrupt enable bit;  
             1= Enable all PWM interrupt;  
             0= Disable all PWM interrupt.
- Bit2      -- Reserved, must be 0.
- Bit1      ET4: Timer4 interrupt enable bit;  
             1= Enable Timer4 interrupt;  
             0= Disable Timer4 Interrupt.
- Bit0      ET3: Timer3 interrupt enable bit;  
             1= Enable Timer3 interrupt;  
             0= Disable Timer3 Interrupt.

**6.4.1.3 Timer2 Interrupt Mask Register T2IE**

0xCF	Bit7	Bit6	Bit5	Bit4	Bit3	Bit2	Bit1	Bit0
T2IE	T2OVIE	T2EXIE	--	--	T2C3IE	T2C2IE	T2C1IE	T2C0IE
R/W	R/W	R/W	R/W	R/W	R/W	R/W	R/W	R/W
Reset Value	0	0	0	0	0	0	0	0

- Bit7 T2OVIE: Timer2 overflow interrupt enable bits;  
 1= Interrupt is Enabled;  
 0= Interrupt is Disabled.
- Bit6 T2EXIE: Timer2 external loading interrupt Enables bits;  
 1= Interrupt is Enabled;  
 0= Interrupt is Disabled.
- Bit5~Bit4 -- Reserved, must be 0.
- Bit3 T2C3IE: Timer2 compares channel 3 interrupt Enableable bits;  
 1= Interrupt is Enabled;  
 0= Interrupt is Disabled.
- Bit2 T2C2IE: Timer2 compares channel 2 interrupt enable bits;  
 1= Interrupt is Enabled;  
 0= Interrupt is Disabled.
- Bit1 T2C1IE: Timer2 compares channel 1 interrupt enable bits;  
 1= Interrupt is Enabled;  
 0= Interrupt is Disabled.
- Bit0 T2C0IE: Timer2 compares channel 0 interrupt Enableled bits;  
 1= Interrupt is Enabled;  
 0= Interrupt is Disabled.

If you want to enable the interrupt of Timer2, you also need to turn on the global interrupt enable bit ET2=1 of Timer2 (IE.5=1)

**6.4.1.4 P0 Interrupt Control Register P0EXTIE**

0xAC	Bit7	Bit6	Bit5	Bit4	Bit3	Bit2	Bit1	Bit0
P0EXTIE	--	--	P05IE	P04IE	P03IE	P02IE	P01IE	P00IE
R/W	R/W	R/W	R/W	R/W	R/W	R/W	R/W	R/W
Reset Value	0	0	0	0	0	0	0	0

- Bit7~Bit6 -- Reserved, must be 0.
- Bit5~Bit0 P0iIE: P0i port interrupt enable bits (i=0-5);  
 1= Interrupt is Enabled;  
 0= Interrupt is Disabled.

**6.4.1.5 Port P1 Interrupt Control Register P1EXTIE**

0xAD	Bit7	Bit6	Bit5	Bit4	Bit3	Bit2	Bit1	Bit0
P1EXTIE	P17IE	P16IE	P15IE	P14IE	P13IE	--	--	--
R/W	R/W	R/W	R/W	R/W	R/W	R/W	R/W	R/W
Reset Value	0	0	0	0	0	0	0	0

Bit7~Bit3      P1iIE: P1i port interrupt Enableable bits (i=3-7);  
                   1= Interrupt is Enabled;  
                   0= Interrupt is Disabled.  
 Bit2~Bit0      -- Reserved, must be 0.

**6.4.1.6 P2 Interrupt Control Register P2EXTIE**

0xAE	Bit7	Bit6	Bit5	Bit4	Bit3	Bit2	Bit1	Bit0
P2EXTIE	--	P26IE	P25IE	P24IE	P23IE	P22IE	P21IE	--
R/W	R/W	R/W	R/W	R/W	R/W	R/W	R/W	R/W
Reset Value	0	0	0	0	0	0	0	0

Bit7            -- Reserved, must be 0.  
 Bit6~Bit1      P2iIE: P2i interrupt enable bits (i=1-6);  
                   1= Interrupt is Enabled;  
                   0= Interrupt is Disabled.  
 Bit0            -- Reserved, must be 0.

**6.4.1.7 P3 Port Interrupt Control Register P3EXTIE**

0xAF	Bit7	Bit6	Bit5	Bit4	Bit3	Bit2	Bit1	Bit0
P3EXTIE	-	P36IE	P35IE	--	--	P32IE	P31IE	P30IE
R/W	R/W	R/W	R/W	R/W	R/W	R/W	R/W	R/W
Reset Value	0	0	0	0	0	0	0	0

Bit7            -- Reserved, must be 0.  
 Bit6~Bit5      P3iIE: P3i port interrupt Enableled bits (i=5-6);  
                   1= Interrupt is Enabled;  
                   0= Interrupt is Disabled.  
 Bit4~Bit3      -- Reserved, must be 0.  
 Bit2~Bit0      P3iIE: P3i port interrupt enable bit (i=0-2);  
                   1= Interrupt is Enabled;  
                   0= Interrupt is Disabled.

## 6.4.2 Interrupt Priority Controls the Register

### 6.4.2.1 Interrupt Priority Controls Register IP

Interrupt priority control register IP is a read-write register that can be operated bitwise.

0xB8	Bit7	Bit6	Bit5	Bit4	Bit3	Bit2	Bit1	Bit0
IP	--	PS1	PT2	PS0	PT1	PX1	PT0	PX0
R/W	R/W	R/W	R/W	R/W	R/W	R/W	R/W	R/W
Reset Value	0	0	0	0	0	0	0	0

- Bit7            --   Reserved, must be 0.
- Bit6           PS1: UART1 interrupt priority control bit;  
                  1=   Set to High-level Interrupt;  
                  0=   Set to low-level interrupt.
- Bit5           PT2: TIMER2 interrupt priority control bit;  
                  1=   Set to High-level Interrupt;  
                  0=   Set to low-level interrupt.
- Bit4           PS0: UART0 interrupt priority control bit;  
                  1=   Set to High-level Interrupt;  
                  0=   Set to low-level interrupt.
- Bit3           PT1: TIMER1 interrupt priority control bit;  
                  1=   Set to High-level Interrupt;  
                  0=   Set to low-level interrupt.
- Bit2           PX1: External interrupt 1 interrupt priority control bit;  
                  1=   Set to High-level Interrupt;  
                  0=   Set to low-level interrupt.
- Bit1           PT0: TIMER0 interrupt priority control bit;  
                  1=   Set to High-level Interrupt;  
                  0=   Set to low-level interrupt.
- Bit0           PX0: External interrupt 0 interrupt priority control bit;  
                  1=   Set to High-level Interrupt;  
                  0=   Set to low-level interrupt.

**6.4.2.2 Interrupt Priority Control Register EIP1**

0xB9	Bit7	Bit6	Bit5	Bit4	Bit3	Bit2	Bit1	Bit0
EIP1	PACMP	PLSE	PLVD	--	PP3	PP2	PP1	PP0
R/W	R/W	R/W	R/W	R/W	R/W	R/W	R/W	R/W
Reset Value	0	0	0	0	0	0	0	0

- Bit7      PACMP: Analog comparator interrupt priority control bit;  
           1= Set to High-level Interrupt;  
           0= Set to low-level interrupt.
- Bit6      PLSE Low-speed crystal oscillator interrupt priority control bit  
           1= Set to High-level Interrupt;  
           0= Set to low-level interrupt.
- Bit5      PLVD LVD voltage monitoring interrupt priority control bit  
           1= Set to High-level Interrupt;  
           0= Set to low-level interrupt.
- Bit4      -- Reserved, must be 0.
- Bit3      PP3: P3 port interrupt priority control bit;  
           1= Set to High-level Interrupt;  
           0= Set to low-level interrupt.
- Bit2      PP2: P2 port interrupt priority control bit;  
           1= Set to High-level Interrupt;  
           0= Set to low-level interrupt.
- Bit1      PP1: P1 port interrupt priority control bit;  
           1= Set to High-level Interrupt;  
           0= Set to low-level interrupt.
- Bit0      PP0: P0 port interrupt priority control bit;  
           1= Set to High-level Interrupt;  
           0= Set to low-level interrupt.

**6.4.2.3 Interrupt Priority Control Register EIP2**

0xBA	Bit7	Bit6	Bit5	Bit4	Bit3	Bit2	Bit1	Bit0
EIP2	PSPI	PI2C	PWDT	PADC	PPWM	--	PT4	PT3
R/W	R/W	R/W	R/W	R/W	R/W	R/W	R/W	R/W
Reset Value	0	0	0	0	0	0	0	0

- Bit7      PSPI: SPI interrupt priority control bit;  
           1= Set to High-level Interrupt;  
           0= Set to low-level interrupt.
- Bit6      PI2C: I2C interrupt priority control bit;  
           1= Set to High-level Interrupt;  
           0= Set to low-level interrupt.
- Bit5      PWDT: WDT interrupt priority control bit;  
           1= Set to High-level Interrupt;  
           0= Set to low-level interrupt.
- Bit4      PADC: ADC interrupt priority control bit;  
           1= Set to High-level Interrupt;  
           0= Set to low-level interrupt.
- Bit3      PPWM: PWM interrupt priority control bit  
           1= Set to High-level Interrupt;  
           0= Set to low-level interrupt.
- Bit2      -- Reserved, must be 0.
- Bit1      PT4: TIMER4 interrupt priority control bit;  
           1= Set to High-level Interrupt;  
           0= Set to low-level interrupt.
- Bit0      PT3: TIMER3 interrupt priority control bit;  
           1= Set to High-level Interrupt;  
           0= Set to low-level interrupt.

## 6.4.3 Interrupt Flag bit Register

### 6.4.3.1 Timer0/1, INT0/1 Interrupt Flag Bit Register TCON

0x88	Bit7	Bit6	Bit5	Bit4	Bit3	Bit2	Bit1	Bit0
TCON	TF1	TR1	TF0	TR0	IE1	IT1	IE0	IT0
R/W	R/W	R/W	R/W	R/W	R/W	R/W	R/W	R/W
Reset Value	0	0	0	0	0	0	0	0

- Bit7      TF1: Timer1 counter overflow interrupt flag bit;  
           1= Timer1 counter overflow, when entering the interrupt service program, the hardware is automatically cleared, and the software can also be cleared;  
           0= The Timer1 counter has no overflow.
- Bit6      TR1: Timer1 operational control bit;  
           1= Timer1 starts;  
           0= Timer1 closes.
- Bit5      TF0: Timer0 counter overflow interrupt flag bit;  
           1= Timer0 counter overflow, when entering the interrupt service program, the hardware is automatically cleared, and the software can also be cleared;  
           0= The Timer0 counter has no overflow.
- Bit4      TR0: Timer0 operational control bit;  
           1= Timer0 starts.  
           0= Timer0 closes.
- Bit3      IE1: External interrupt 1 flag;  
           1= External interrupt 1 generates an interrupt, the hardware is automatically cleared when entering the interrupt service program, and the software can also be cleared;  
           0= External interrupt 1 did not produce an interrupt.
- Bit2      IT1: External interrupt 1 trigger mode control bit;  
           1= Falling edge trigger;  
           0= Low level triggering.
- Bit1      IE0: External interrupt 0 flag;  
           1= External interrupt 0 generates an interrupt, the hardware is automatically cleared when entering the interrupt service program, and the software can also be cleared;  
           0= External interrupt 0 did not produce an interrupt.
- Bit0      IT0: External interrupt 0 trigger mode control bit;  
           1= Falling edge trigger;  
           0= Low level triggering.

### 6.4.3.2 Timer2 Interrupt Flag Bit Register T2IF

0xC9	Bit7	Bit6	Bit5	Bit4	Bit3	Bit2	Bit1	Bit0
T2IF	TF2	T2EXIF	--	--	T2C3IF	T2C2IF	T2C1IF	T2C0IF
R/W	R/W	R/W	R/W	R/W	R/W	R/W	R/W	R/W
Reset Value	0	0	0	0	0	0	0	0

- Bit7      TF2: Timer2 counter overflow interrupt flag bit;  
           1= Timer2 counter overflow, software zeroing is required;  
           0= The Timer2 counter has no overflow.
- Bit6      T2EXIF: Timer2 externally loaded flag bits;  
           1= The T2EX port of Timer2 generates a falling edge, which requires software clearance;  
           0= --
- Bit5~Bit4      -- Reserved, must be 0.

- Bit3 T2C3IF: Timer2 Compare/Capture Channel 3 Flag Bits;  
 1= Timer2 Compare channel 3 {CCH3:CCL3}={TH2:TL2} or capture channel 3 produces a capture operation that requires software zeroing.  
 0= --
- Bit2 T2C2IF: Timer2 Compare/Capture Channel 2 Flag Bits;  
 1= Timer2 Compare channel 2 {CCH2:CCL2}={TH2:TL2} or capture channel 2 to produce a capture operation that requires software zeroing.  
 0= --
- Bit1 T2C1IF: Timer2 Compare/Capture Channel 1 Flag Bits;  
 1= Timer2 Compare channel 1 {CCH1:CCL1}={TH2:TL2} or capture channel 1 to produce a capture operation that requires software zeroing.  
 0= --
- Bit0 T2C0IF: Timer2 Compare/Capture Channel 0 Flag Bits;  
 1= Timer2 Compare channel 0{RLDH:RLDL}={TH2:TL2} or capture channel 0 produces a capture operation that requires software zeroing.  
 0= --

#### 6.4.3.3 Peripheral Interrupt Flag Bit Register EIF2

0xB2	Bit7	Bit6	Bit5	Bit4	Bit3	Bit2	Bit1	Bit0
EIF2	SPIIF	I2CIF	--	ADCIF	PWMIF	--	TF4	TF3
R/W	R	R	--	R/W	R	--	R/W	R/W
Reset Value	0	0	0	0	0	0	0	0

- Bit7 SPIIF: SPI global interrupt indicator bit, read-only;  
 1= SPI generates an interrupt, (this bit is automatically cleared after the specific interrupt flag is cleared);  
 0= The SPI did not produce an interrupt.
- Bit6 I2CIF: I2C global interrupt indicator bit, read-only;  
 1= I2C produces an interrupt, (after clearing the specific interrupt flag, this bit is automatically cleared);  
 0= I2C did not produce an interrupt.
- Bit5 -- Reserved, must be 0.
- Bit4 ADCIF: ADC interrupt flag bit;  
 1= ADC conversion is completed, and software zeroing is required;  
 0= The ADC conversion was not completed.
- Bit3 PWMIF: PWM global interrupt indicator bit, read-only;  
 1= PWM generates an interrupt, (after the specific interrupt flag is cleared, this bit is automatically cleared);  
 0= The PWM did not produce an interrupt.
- Bit2 -- Reserved, must be 0.
- Bit1 TF4: Timer4 timer overflow interrupt flag bit;  
 1= Timer4 timer overflow, the hardware is automatically cleared when entering the interrupt service program, and the software can also be cleared;  
 0= The Timer4 timer has no overflow.
- Bit0 TF3: Timer3 timer overflow interrupt flag bit;  
 1= Timer3 timer overflow, when entering the interrupt service program, the hardware is automatically cleared, and the software can also be cleared;  
 0= The Timer3 timer has no overflow.



**6.4.3.4 SPI Interrupt Flag Bit Register SPSR**

0xED	Bit7	Bit6	Bit5	Bit4	Bit3	Bit2	Bit1	Bit0
SPSR	SPISIF	WCOL	--	--	--	--	--	SSCEN
R/W	R	R	--	--	--	--	R/W	R/W
Reset Value	0	0	0	0	0	0	0	0

- Bit7      SPISIF: SPI transmission completion interrupt flag bit, read-only;  
           1= SPI transmission is completed (read SPSR first, then read/write SPDR and then clear zero);  
           0= The SPI was not transmitted.
- Bit6      WCOL: SPI write violation interrupt flag bit, read-only;  
           1= When the SPI transfer is not completed, a collision of the write SPDR operation occurs (read the SPSR first, then clear the SPDR after reading/writing the SPDR);  
           0= No write conflicts.
- Bit5~Bit1      -- Reserved, must be 0.
- Bit0      SSCEN: SPI master mode NSS output control bit.  
           1= When the SPI is idle, the NSS output is high;  
           0= NSS output registers the contents of the SSCR.

**6.4.3.5 I2C Master Mode Interrupt Flag Registers I2CMCR/I2CMSR**

0xF5	Bit7	Bit6	Bit5	Bit4	Bit3	Bit2	Bit1	Bit0
I2CMCR	RSTS	--	--	--	ACK	STOP	START	RUN
I2CMSR	I2CMIF	BUS_BUSY	IDLE	ARB_LOST	DATA_ACK	ADDR_ACK	ERROR	BUSY
R/W	R/W	R/W	R/W	R/W	R/W	R/W	R/W	R/W
Reset Value	0	0	0	0	0	0	0	0

- Bit7      RSTS: I<sup>2</sup>C active module reset control position;  
           1= Reset the master module (I2C registers for the entire master module, including I2CMSR);  
           0= The interrupt flag bit in I2C master mode is clear to 0.
- I2CMIF: I<sup>2</sup>C master mode interrupt flag bit;  
           1= In master mode, send/receive completes, or a transmission error occurs. (Software zero, write 0 to clear);  
           0= No Interrupt was generated.
- Bit6~Bit0      Control and flag bits in I2C master mode, see I2CM description for details.

**6.4.3.6 I2C Slave Mode Status Register I2CSSR**

0xF2	Bit7	Bit6	Bit5	Bit4	Bit3	Bit2	Bit1	Bit0
I2CSSR	--	--	--	--	--	SENDFIN	TREQ	RREQ
R/W	--	--	--	--	--	R	R	R
Reset Value	0	0	0	0	0	0	0	0

Bit7~Bit3 -- Reserved, must be 0.

Bit2 SENDFIN: I2C slave mode send operation completion flag bit, read-only;

1= The data is no longer required by the master device, the TREQ is no longer set to 1, and the data transfer has been completed. (Automatic zeroing after reading I2CSSR).

0= --

Bit1 TREQ: I<sup>2</sup>C slave mode prepares to send flag bits, read-only;

1= As the transmitting device has been addressed or the master device is ready to receive data. (Auto zero after writing I2CSBUF).

0= --

Bit0 RREQ: I2C slave mode receives completion flag bits, read-only;

1= Received. (Automatic zeroing after reading I2CSBUF);

0= Not received.

The relevant status bits for I2C slave mode are also interrupt flag bits

Note: The I2C master mode interrupt shares the same interrupt vector (00ABH) as the slave mode interrupt

**6.4.3.7 UART Control Register SCOn**

	Bit7	Bit6	Bit5	Bit4	Bit3	Bit2	Bit1	Bit0
SCOn	UnSM0	UnSM1	UnSM2	UnREN	UnTB8	UnRB8	Believe	RIn
R/W	R/W	R/W	R/W	R/W	R/W	R/W	R/W	R/W
Reset Value	0	0	0	0	0	0	0	0

Register SCOn address 0x98; Register SCOn1 address 0xEA.

Bit7~Bit2 U1SM0、U1SM1、U1SM2、U1REN、U1TB8、U1RB8:UART1 related control bits, see UARTn function description

Bit1 TIn: Send interrupt flag bits (requires software zeroing);

1= Indicates that the send buffer is empty, and you can send the frame data.

0= --

Bit0 RIn: Receive interrupt flag bits (requires software zeroing);

1= Indicates that the receive buffer is full, and the next frame of data can be received after reading.

0= --

TIn and RIn occupy the same interrupt vector and require a query to determine whether to receive an interrupt or send an interrupt.

**6.4.3.8 P0 Port Interrupt Flag Register P0EXTIF**

0xB4	Bit7	Bit6	Bit5	Bit4	Bit3	Bit2	Bit1	Bit0
P0EXTIF	--	--	P05IF	P04IF	P03IF	P02IF	P01IF	P00IF
R/W	R/W	R/W	R/W	R/W	R/W	R/W	R/W	R/W
Reset Value	0	0	0	0	0	0	0	0

Bit7~Bit6 -- Reserved, must be 0.

Bit5~Bit0 P0iIF: P0i interrupt flag bit (i=0-5);

1= P0i port produces an interrupt, which requires software clearance;

0= There is no interrupt in the P0i port.

**6.4.3.9 Port P1 Interrupt Flag Register P1EXTIF**

0xB5	Bit7	Bit6	Bit5	Bit4	Bit3	Bit2	Bit1	Bit0
P1EXTIF	P17IF	P16IF	P15IF	P14IF	P13IF	--	--	--
R/W	R/W	R/W	R/W	R/W	R/W	R/W	R/W	R/W
Reset Value	0	0	0	0	0	0	0	0

Bit7~Bit3 P1iIF: P1i interrupt flag bit (i=3-7);

1= P1i port produces an interrupt, which requires software clearance;

0= There is no Interrupt in the P1i port.

Bit2~Bit0 -- Reserved, must be 0.

**6.4.3.10 P2 Port Interrupt Flag Bit Register P2EXTIF**

0xB6	Bit7	Bit6	Bit5	Bit4	Bit3	Bit2	Bit1	Bit0
P2EXTIF	--	P26IF	P25IF	P24IF	P23IF	P22IF	P21IF	--
R/W	R/W	R/W	R/W	R/W	R/W	R/W	R/W	R/W
Reset Value	0	0	0	0	0	0	0	0

Bit7 -- Reserved, must be 0.

Bit6~Bit1 P2iIF: P2i interrupt flag bit (i=1-6);

1= P2i port produces an interrupt, which requires software clearance;

0= There is no Interrupt in the P2i port.

Bit0 -- Reserved, must be 0.

**6.4.3.11 P3 Port Interrupt Flag Bit Register P3EXTIF**

0xB7	Bit7	Bit6	Bit5	Bit4	Bit3	Bit2	Bit1	Bit0
P3EXTIF	--	P36IF	P35IF	--	--	P32IF	P31IF	P30IF
R/W	R/W	R/W	R/W	R/W	R/W	R/W	R/W	R/W
Reset Value	0	0	0	0	0	0	0	0

- Bit7 -- Reserved, must be 0.
- Bit6~Bit5 P3iIF: P3i interrupt flag bit (i=5-6);  
 1= P3i port produces an interrupt, which requires software clearance;  
 0= The P3i port did not produce an interrupt.
- Bit4~Bit3 -- Reserved, must be 0.
- Bit2~Bit0 P3iIF: P3i interrupt flag bit (i=0-2);  
 1= P3i port produces an interrupt, which requires software clearance;  
 0= The P3i port did not produce an interrupt.

#### 6.4.4 The Clear Operation for The Interrupt Flag Bit

The clear operation of the interrupt flag is divided into the following categories:

- ◆ Automatic hardware cleanup (requires entry into interrupt service)
- ◆ Software cleanup
- ◆ Read/write operations are cleared
  - 1) The hardware automatically clears the flag bits

The bits that support hardware auto-clearing are the interrupt flag bits generated by IN0, INT1, T0, T1, T3, and T4. The condition for the hardware to automatically clear the flag is: open the global interrupt enable bit EA=1, and open the corresponding interrupt enable bit, after the interrupt is generated, the system enters the corresponding interrupt service program, and the flag bit is automatically cleared. If interrupt enables shutdown, these flags can also be cleared using software.

- 2) The flag bits that the software clears

There are flags in the system that can only be cleared with software. These flags are not automatically cleared after entering the interrupt service program and require the software to write 0 to clear. Otherwise, after exiting the interrupt service program, you will enter the interrupt service program again.

- 3) The flag bit cleared by the R/W operations

The flag bit in the system is not written to zero to the flag bit, but requires reading/writing other registers to clear the flag bit. For example, if the transmission completion flag bit SPISIF in the SPI interrupt flag register is set to 1, you need to read `spsr` first, and then read/write `SPDR` and then clear zero.

Software cleanup operations require attention: when multiple interrupt flags are in the same register, and the moments these flags are generated are not related to each other, it is not recommended to use read-modify-write operations. For example, the PWMUIF interrupt flag register, which contains the upward comparison interrupt of the PG0-PG5 channel, these interrupt flag bits are not related to each other. When PG0 produces an up-to-compare interrupt, the value of PWMUIF is 0x01, and a read-modify-write operation clears the bit after entering the interrupt service program

```
PWMUIF &= 0xFE;
```

This operation is implemented by reading the value of PWMUIF back to the CPU, then performing the operation, and finally sending it back to PWMUIF. If the interrupt flag bit PWMUIF[1] of PG1 is set to 1 after the CPU read, and PWMUIF[1] is 0 when read, the operation is performed and sent back to PWMUIF[1] is also 0, at which point the upward interrupt flag bit PWMUIF[1] that PG1 has generated will be cleared.

Clear the interrupt flag bits of the above type, it is recommended to write directly to 0 operations, other unrelated flag bits to write 1: `PWMUIF = 0xFE`. This operation has no practical effect on unrelated interrupt flag write 1.

## 6.4.5 Special Interrupt Flag Bits in Debug Mode

The flag bit in the system is not written to zero to the flag bit, but requires reading/writing other registers to clear the flag bit.

In debug mode, after breakpoint execution, step-through, or stop operation, the emulator reads out all register values from the system to the emulation software, and the emulator reads/writes exactly the same as in normal mode.

So during debugging, after a pause occurs, the break flag bit of a set of 1 should appear, but it is displayed as 0 in the observation window.

Example: The transmit completion flag bit SPISIF in the SPI interrupt flag register in debug mode

```
...// Set the port and interrupt enable
SPDR = 0x56; Send SPDR data
delay();
...

Invalid SPI_int (Invalid) interrupt SPI_VECTOR// SPI interrupt service program
{
    O1  _nop_(); Set breakpoint 1
        _nop_();
    O2  k = SPSR; Set breakpoint 2
        _nop_();
    ...
}
```

When the breakpoint is running, stop after breakpoint 1, SPI completes the transmit operation, and the transmit completion interrupt has been generated, so SPSR.7=1, at which point the emulator has completed the operation of reading all the registers at once (including reading SPSR),

Perform the breakpoint run again, stop after breakpoint 2, at which point the emulator again finishes reading all registers (including SPDR), so SPSR.7=0. The above situation can also occur when you step into it twice, which requires attention in debug mode.



### 7.1.3 PORTx Open-drain Control Register PxOD

	Bit7	Bit6	Bit5	Bit4	Bit3	Bit2	Bit1	Bit0
PxOD	PxOD7	PxOD6	PxOD5	PxOD4	PxOD3	PxOD2	PxOD1	PxOD0
R/W	R/W	R/W	R/W	R/W	R/W	R/W	R/W	R/W
Reset Value	0	0	0	0	0	0	0	0

Register P0OD Address: F009H; Register P1OD Address: F019H;

Register P2OD Address: F029H; Register P3OD address: F039H.

- Bit7~Bit0            PxOD<7:0>: Open-drain control bit;
- 1= The pins are configured for an open-drain state (the output is an open-drain output);
  - 0= The pins are configured for a normal state (the output is a push-pull output).

### 7.1.4 PORTx Pull-up Resistor Control Register PxUP

	Bit7	Bit6	Bit5	Bit4	Bit3	Bit2	Bit1	Bit0
PxUP	PxUP7	PxUP6	PxUP5	PxUP4	PxUP3	PxUP2	PxUP1	PxUP0
R/W	R/W	R/W	R/W	R/W	R/W	R/W	R/W	R/W
Reset Value	0	0	0	0	0	0	0	0

Register P0UP Address: F00AH; Register P1UP Address: F01AH;

Register P2UP Address: F02AH; Register P3UP address: F03AH.

- Bit7~Bit0            PxUP<7:0>: Pull-up resistor control bit;
- 1= Pin pull-up resistor on;
  - 0= The pin pull-up resistor is off.

### 7.1.5 PORTx Pull-down Resistor Control Register PxRD

	Bit7	Bit6	Bit5	Bit4	Bit3	Bit2	Bit1	Bit0
PxRD	PxRD7	PxRD6	PxRD5	PxRD4	PxRD3	PxRD2	PxRD1	PxRD0
R/W	R/W	R/W	R/W	R/W	R/W	R/W	R/W	R/W
Reset Value	0	0	0	0	0	0	0	0

Register P0RD address: F00BH; Register P1RD address: F01BH;

Register P2RD address: F02BH; Register P3RD address: F03BH.

- Bit7~Bit0            PxRD<7:0>: Pull-down resistor control bit;
- 1= Pin pull-down resistor open;
  - 0= Pin pull-down resistor off.

Note: The control of the pull-down resistor is independent of the configuration and multiplexing function of the GPIO and is controlled separately by the PxRD registers.



### 7.1.6 PORTx Drives The Current Control Register PxDR

	Bit7	Bit6	Bit5	Bit4	Bit3	Bit2	Bit1	Bit0
PxDR	PxDR7	PxDR6	PxDR5	PxDR4	PxDR3	PxDR2	PxDR1	PxDR0
R/W	R/W	R/W	R/W	R/W	R/W	R/W	R/W	R/W
Reset Value	0	0	0	0	0	0	0	0

Register P0DR Address: F00CH; Register P1DR Address: F01CH;

Register P2DR Address: F02CH; Register P3DR Address: F03CH.

Bit7~Bit0 PxDR<7:0>: Drive current control bit (in effect when the port is configured as an output state).

1= The drive is a weak drive;

0= The drive is a strong drive.

### 7.1.7 PORTx Slope Control Register PxSR

	Bit7	Bit6	Bit5	Bit4	Bit3	Bit2	Bit1	Bit0
PxSR	PxSR7	PxSR6	PxSR5	PxSR4	PxSR3	PxSR2	PxSR1	PxSR0
R/W	R/W	R/W	R/W	R/W	R/W	R/W	R/W	R/W
Reset Value	0	0	0	0	0	0	0	0

Register P0SR Address: F00DH; Register P1SR Address: F01DH;

Register P2SR Address: F02DH; Register P3SR address: F03DH.

Bit7~Bit0 PxSR<7:0>: Px slope control register (in effect when the port is configured for output state);

1= The Px pin is slow slope;

0= The Px pin is fast slope.

### 7.1.8 The PORTx Data Input Selects Register PxDS

	Bit7	Bit6	Bit5	Bit4	Bit3	Bit2	Bit1	Bit0
PxDS	PxDS7	PxDS6	PxDS5	PxDS4	PxDS3	PxDS2	PxDS1	PxDS0
R/W	R/W	R/W	R/W	R/W	R/W	R/W	R/W	R/W
Reset Value	0	0	0	0	0	0	0	0

Register P0DS Address: F00EH; Register P1DS Address: F01EH;

Register P2DS Address: F02EH; Register P3DS address: F03EH.

Bit7~Bit0 PxDS<7:0>: Data input selection bits that affect the value of the reading Px register when configured for GPIO;

1= Both output/input modes read pin status;

(The Smit circuit also remains open when the port is set to output);

0= Output mode: read to data latch state;

Input Mode: Reads to pin state.

Note: If you need to read the pin state of the port when it is a multiplexing function input structure, you need to set the port direction control to input mode.

## 7.2 Multiplexed Functions

### 7.2.1 Port Multiplexing Feature Configuration Register

The PORTx function configuration register PxnCFG

	Bit7	Bit6	Bit5	Bit4	Bit3	Bit2	Bit1	Bit0
PxnCFG	--	--	--	PxnCFG4	PxnCFG3	PxnCFG2	PxnCFG1	PxnCFG0
R/W	--	--	--	R/W	R/W	R/W	R/W	R/W
Reset Value	0	0	0	0	0	0	0	0

Bit7~Bit5 -- Reserved, must be 0.

Bit4~Bit0 PxnCFG<4:0>: Feature configuration bit, which defaults to GPIO function. For details, see Port Feature Configuration Instructions.

Px has 8 function configuration registers, including Px0CFG~Px7CFG, which control the function configuration of Px0~Px7 respectively.

Each port has a function configuration register, PxnCFG, through which each port can be set to the corresponding digital function. For example: to set P24 as BEEP buzzer function, configure it as: P24CFG = 0x18;

The port direction register PxTRIS does not need to be configured when the port is used as a multiplexing function:

- SCL and SDA pull-up resistance registers can be configured to force open drain output.
- RXD0 and RXD1 synchronization modes force pull-up.

Other multiplexing functions are forced to close the pull-up resistance and open drain output by hardware, that is, set the pull-up resistance PxUP or open drain output PxOD by software to be invalid.

When the port is multiplexed to SCL and SDA functions, the hardware forces the port to be an open-drain output, and the pull-up resistor PxUP can be set by software.

The port function configuration is described as follows:

Configure values	function	direction	Function description
0x00	GPIO	I/O	Universal IO port, through the register configuration input and output, pull-up and other functions
0x01	ANALOG		Simulation function
0x02	--	--	--
0x03	--	--	--
0x04	CC0	Or	Timer2 compares output channel 0
0x05	CC1	Or	Timer2 compares output channel 1
0x06	CC2	Or	Timer2 compares output channel 2
0x07	CC3	Or	Timer2 compares output channel 3
0x08	TXD0	Or	UART0 data output
0x09	RXD0	I/O	UART0 data input/synchronous mode data output
0x0A	TXD1	Or	UART1 data output
0x0B	RXD1	I/O	UART1 data input/synchronous mode data output
0x0C	SCL	I/O	I <sup>2</sup> C clock input and output
0x0D	SDA	I/O	I <sup>2</sup> C data input and output
0x0E	NSS	I/O	SPI slave mode machine chip selection signal (input/output)
0x0F	SCLK	I/O	SPI clock input and output
0x10	MOSI	I/O	The SPI master sends a slave receive

Configure values	function	direction	Function description
0x11	MISO	I/O	The SPI master receives the slave send
0x12	PG0	Or	PWM channel 0 output
0x13	PG1	Or	PWM channel 1 output
0x14	PG2	Or	PWM channel 2 output
0x15	PG3	Or	PWM channel 3 output
0x16	PG4	Or	PWM channel 4 output
0x17	PG5	Or	PWM channel 5 output
0x18	BEEP	Or	Buzzer output
0x19	--	--	--
0x1A	C0_O	Or	Comparator 0 output
0x1B	C1_O	Or	Comparator 1 output
0x1C	--	--	--
0x1D	--	--	--
0x1E	--	--	--
0x1F	--	--	--

**Note:**

1. The configuration values marked "--" in the table are reserved and prohibited.
2. The function configuration register defaults to 0x00, and the port is GPIO function. Different functions can be set by assigning registers via the port input function.
3. When the function configuration register is set to 0x01, the hardware turns off the digital circuit to reduce power consumption, and the GPIO function-related register setting is invalid. The ports support several analog functions, as described in the following table.
4. The port that is used as the output function in the multiplexing function has no priority order restriction. If multiple ports are configured with the same output capability, the functionality outputs on those ports at the same time.
5. The port that makes the input function in the multiplexing function has a priority order limit. If two or more ports are configured with the same input function at the same time, the selection is configured in order of priority,....., from high to low in order of P00, P01, P01, P32, and P35.

If P00 and P32 are configured as RXD0 ports at the same time: P00CFG = 0x09; P32CFG = 0x09. Since the P00 has a higher priority, in fact the RXD0 signal source is connected to the input of the P00 port, and even if the P32 port has a data waveform, it will not be used as the RXD0 signal source.

The corresponding analog functions of the port are as follows:

PIN	CONFIG	1(ANALOG)				Other numeric features are prioritized
		AN	COP			
P00		AN0	C0P1			highest
P01		AN1	C0P2			
P02		AN2	C1P2			
P03		AN3	C1P1			
P04		AN4	C1P0			
P05		AN5	C1N			
P13		AN6	C0P0			
P14		AN7	C0N			
P15		AN18				
P16		AN19				
P17		AN20				
P21	DSCK	AN21				
P22		AN8		OP1_P		
P23		AN9		OP1_N		
P24		AN10	C0P5/C1P5	OP1_O		
P25		AN11				
P26		AN12			PCAT	
P30		AN22	C0P4/C1P4	OP0_O		
P31	OSCIN	AN13		OP0_N	PGAP	
P32	OSCOUT	AN14		OP0_P	PGAGND	
P35	DSDA	AN16				
P36		AN17				minimum

## 7.2.2 The Port Input Function Allocation Registers

Inside the chip there are digital functions with only the input state, such as INT0/INT1... etc., this type of digital input function is independent of the port multiplexing state. As long as the assigned port supports digital input (such as RXD0 as a digital input and GPIO as an input function), the port supports this function.

The input function port assignment registers are as follows:

Input function configuration register	address	function	Feature description
PS_INT0	F0C0H	INT0	External interrupt 0 input port allocation register
PS_INT1	F0C1H	INT1	External interrupt 1 input port allocation register
PS_T0	F0C2H	T0	Timer0 external clock input port assignment register
PS_T0G	F0C3H	T0G	Timer0 gated input port assignment register
PS_T1	F0C4H	T1	Timer1 external clock input port assignment register
PS_T1G	F0C5H	T1G	Timer1 gated input port assignment register
PS_T2	F0C6H	T2	Timer2 external event or gated input port assignment register
PS_T2EX	F0C7H	T2EX	Timer2 drops along the autoreload input port allocation register
PS_CAP0	F0C8H	CAP0	The Timer2 input captures channel 0 port assignment registers
PS_CAP1	F0C9H	CAP1	The Timer2 input captures the channel 1 port assignment register
PS_CAP2	F0CAH	CAP2	The Timer2 input captures the channel 2 port assignment register
PS_CAP3	F0CBH	CAP3	The Timer2 input captures the channel 3 port assignment register
PS_ADET	F0CCH	CUSTOM	The ADC's external trigger input port allocates registers
PS_FB	F0CDH	FB	External brake signal input port assignment registers for the PWM

PS\_XX input function port allocation register PS\_XX (as described in the table above)

	Bit7	Bit6	Bit5	Bit4	Bit3	Bit2	Bit1	Bit0
PS_XX	--	--	PS_XX5	PS_XX4	PS_XX3	PS_XX2	PS_XX1	PS_XX0
R/W	R/W	R/W	R/W	R/W	R/W	R/W	R/W	R/W
Reset Value	1	1	1	1	1	1	1	1

Bit7~Bit6

-- Reserved, must be 0.

Bit5~Bit0

PS\_XX<5:0>: The input function assigns control bits

(Subject to the actual port of the chip, the unused value is Reserved ed and prohibited);

0x00= Assigned to P00;

0x01= Assigned to port P01;

.....

0x14= Assigned to P14;

0x15= Assigned to P15;

.....

0x35= Assigned to P35;

0x36= Assigned to P36 port;

.....

0x3F= Not assigned to a port;

- 1) The input function assignment structure Enables multiple input functions to be assigned to the same port. For example, int0 and CAP0 can be assigned to the P00 port at the same time, and the configuration is as follows:

P00CFG = 0x00; //P00 port configured for GPIO capability

P0TRIS = 0x00; //P00 for GPIO input function

PS\_INT0 = 0x00; the //P00 port is configured for INT0 capability

PS\_CAP0 = 0x00; //P00 ports are configured for CAP0 capability

- 2) The input function allocation structure is relatively independent, can support the use of other multiplex function ports at the same time, at this time there is no need to configure the corresponding port direction register, such as RXD0 and INT0 can be assigned to the P00 port at the same time, the configuration is as follows:

P00CFG = 0x09; //P00 port configured for the RXD0 function of UART0

PS\_INT0 = 0x00; the //P00 port is configured for INT0 capability

- 3) This input function configuration structure can also be used in conjunction with the interrupt function outside the port.

If you can assign cap0 and GPIO interrupt functions to P00 port at the same time, configure it as follows:

P00CFG = 0x00; //P00 port configured for GPIO capability

P0TRIS = 0x00; //P00 for GPIO input function

PS\_CAP0 = 0x00; //P00 ports are configured for CAP0 capability

P00EICFG = 0x01; //P00 port configured for rising edge trigger interrupt

P0EXTIE = 0x01; // Enables external interrupt on P00's port

### 7.2.3 Port External Interrupt Control Registers

When using an external interrupt, the port needs to be configured as GPIO function and the direction is set to the input port. Alternatively, the multiplexing function is the input port (e.g. RXD0, RXD1), each port can be configured as a GPIO interrupt function.

PORTx external interrupt control register P<sub>XN</sub>EICFG

	Bit7	Bit6	Bit5	Bit4	Bit3	Bit2	Bit1	Bit0
P <sub>XN</sub> EICFG	--	--	--	--	--	--	Px1EICFG1	Px0EICFG0
R/W	--	--	--	--	--	--	R/W	R/W
Reset Value	0	0	0	0	0	0	0	0

Bit7~Bit2 -- Reserved, must be 0.  
 Bit1~Bit0 P<sub>XN</sub>EICFG<1:0>: P<sub>XN</sub> external interrupt control bit;  
 00= No external Interrupt;  
 01= Rising edge triggers interrupt;  
 10= Falling edge triggers interrupt;  
 11= Both the rising or falling edge trigger an interrupt.

Px has eight external interrupt control registers, including Px0EICFG~Px7EICFG, which control the external interrupt of Px0~Px7 respectively.

If you configure the P00 falling edge to trigger an interrupt, configure it as follows:

P00CFG = 0x00; Configure P00 for GPIO functionality

P0TRIS = 0x00; Configure P00 as input

P00EICFG = 0x02; Configure P00 to trigger interrupt on the falling edge

EA = 1; Global interrupt enablement

P0EXTIE = 0x01; Enables P00 external interrupt function

### 7.2.4 Multiplexing Features Application Notes

1) The input of the multiplexing function is relatively independent of the structure of the port's external interrupt (GPIO interrupt) and port input function.

For example, the P01 port is configured as RXD0, and the GPIO interrupt trigger mode of P01 is to trigger the rising edge, interrupt enable, and when the P01 input changes from low to high, the GPIO interrupt of P01 will be triggered.

2) The input structure of the digital signal is not affected by the configuration state of the system.

For example, if the P01 port is powered on as an external reset port, the port input module is turned on. If P01 is configured to INT0 at the same time in the program, and the interrupt enable is turned on, the interrupt service program is executed before the reset signal sampling time is valid, and then the reset operation is generated.

3) It should be noted that in debug mode, such as the multiplexing function is configured to the DSDA port, its input function is also valid, it is recommended that in the debugging mode, do not configure the relevant reuse function to the DSDA port.

4) When the port is used as an analog function, when the function configuration register is set to 0x01, the hardware turns off the digital circuit to reduce power consumption, and the GPIO function-related register setting is invalid.

## 8. Watchdog Timer (WDT)

### 8.1 Overview

The Watch Dog Timer is an on-chip timer with configurable overflow time and clock source provided by the system clock F<sub>sys</sub>.

When the watchdog timer counts to the configured overflow value, a watchdog overflow interrupt flag bit (WDTIF=1) is generated. If the global interrupt is enabled (EA=1) and the watchdog timer is disabled (EIE2[5]=1), the CPU executes the interrupt service program to clear the watchdog counter through the write register WDCON[0]=1. After the watchdog counter clears, the counter starts counting from 0 again until the next timer overflows.

When the watchdog timer overflows, if the watchdog overflow reset enable (WDCON[1]=1) and the watchdog counter is not cleared, an overflow reset of the watchdog is generated. Watchdog overflow reset is a protective setting of the system, when the system is running to an unknown state, the watchdog can be used to reset the system, thereby preventing the system from entering an indefinite dead loop. Watchdog overflow reset is detailed in the Reset section.

### 8.2 Related Registers

#### 8.2.1 Watchdog Control Register WDCON

0x97	Bit7	Bit6	Bit5	Bit4	Bit3	Bit2	Bit1	Bit0
WDCON	SWRST	PORF	--	--	WDTIF	WDTRF	WDTRE	WDTCLR
R/W	R/W	R/W	R	R	R/W	R/W	R/W	R/W
Reset Value	0	1	0	0	0	0	0	0

Bit7	SWRST:	Software reset control bit; 1: Perform a system software reset (write 0 clear after reset). 0: --
Bit6	PORF:	Power-on reset marker; 1: The system resets the system at power-on (write 0 clear, do not need TA to write timing). 0: --
Bit5~Bit4	--	Reserved, must be 0.
Bit3	WDTIF:	WDT overflow interrupt flag bit; 1= WDT overflow (write 0 cleared); 0= WDT does not overflow.
Bit2	WDTRF:	WDT reset marker bit; 1= The system is reset by WDT (write 0 cleared); 0= The system is not reset by WDT.
Bit1	WDTRE:	WDT reset enable bit; 1= Enable WDT reset CPU; 0= Disable WDT reset cpu.
Bit0	WDTCLR:	WDT counter clear bit; 1= Clear WDT counter (hardware auto-zero); 0= Disables the WDT counter (write 0 is invalid).



**Note:**

1. If the WDT in CONFIG is configured as: ENABLE, the WDT is always enabled, regardless of the state of the WDTRE control bit. And the overflow reset function of WDT is forced on.
2. If WDT in CONFIG is configured as: SOFTWARE CONTROL, WDTRE can be enabled or disabled using the WDTRE control bit.

Modify the sequence of instructions required by WDCON (no other instructions can be inserted in the middle):

```
MOV      TA,#0AAH
MOV      TA,#055H
ORL      WDCON,#01H
```

## 8.2.2 Watchdog Overflow Control Register CKCON

0x8E	Bit7	Bit6	Bit5	Bit4	Bit3	Bit2	Bit1	Bit0
CKCON	WTS2	WTS1	WTS0	T1M	T0M	--	--	--
R/W	R/W	R/W	R/W	R/W	R/W	R/W	R/W	R/W
Reset Value	0	0	0	0	0	1	1	1

Bit7~Bit5      WTS<2:0>:    WDT overflow time selection bits;

000=  $2^{17} \cdot T_{sys}$ ;

001=  $2^{18} \cdot T_{sys}$ ;

010=  $2^{19} \cdot T_{sys}$ ;

011=  $2^{20} \cdot T_{sys}$ ;

100=  $2^{21} \cdot T_{sys}$ ;

101=  $2^{22} \cdot T_{sys}$ ;

110=  $2^{24} \cdot T_{sys}$ ;

111=  $2^{26} \cdot T_{sys}$ .

Bit4            T1M:    Timer1's clock source select bit;

0=  $F_{sys}/12$ ;

1=  $F_{sys}/4$ .

Bit3            T0M:    Clock source select bit of Timer0;

0=  $F_{sys}/12$ ;

1=  $F_{sys}/4$ .

Bit2~Bit0      --    Reserved, must be 1.

## 8.3 WDT Interrupt

The watchdog timer can enable or disable interrupt via the EIE2 register, and the high/low priority is set via the EIP2 register, where the relevant bits are as described as following.

### 8.3.1 Interrupt Mask Register EIE2

0xAA	Bit7	Bit6	Bit5	Bit4	Bit3	Bit2	Bit1	Bit0
EIE2	SPIIE	I2CIE	WDTIE	ADCIE	PWMIE	--	ET4	ET3
R/W	R/W	R/W	R/W	R/W	R/W	R/W	R/W	R/W
Reset Value	0	0	0	0	0	0	0	0

- Bit7      SPIIE: SPI interrupt enable bit;  
           1= Enable SPI interrupt;  
           0= Disabled SPI Interrupt.
- Bit6      I2CIE: I2C interrupt enable bit;  
           1= Enable I2C interrupt;  
           0= Disable I2C Interrupt.
- Bit5      WDTIE: WDT interrupt enable bit;  
           1= Enable WDT overflow interrupt;  
           0= Disable WDT overflow interrupt.
- Bit4      ADCIE: ADC interrupt enable bit;  
           1= Enable ADC interrupt;  
           0= Disabled ADC Interrupt.
- Bit3      PWMIE: PWM global interrupt enable bit;  
           1= Enable all PWM interrupt;  
           0= Disable all PWM interrupt.
- Bit2      -- Reserved, must be 0.
- Bit1      ET4: Timer4 interrupt enable bit;  
           1= Enable Timer4 interrupt;  
           0= Disable Timer4 Interrupt.
- Bit0      ET3: Timer3 interrupt enable bit;  
           1= Enable Timer3 interrupt;  
           0= Disable Timer3 Interrupt.

### 8.3.2 Interrupt Priority Control Register EIP2

0xBA	Bit7	Bit6	Bit5	Bit4	Bit3	Bit2	Bit1	Bit0
EIP2	PSPI	PI2C	PWDT	PADC	PPWM	--	PT4	PT3
R/W	R/W	R/W	R/W	R/W	R/W	R/W	R/W	R/W
Reset Value	0	0	0	0	0	0	0	0

- Bit7      PSPI: SPI interrupt priority control bit;  
           1= Set to High-level Interrupt;  
           0= Set to low-level interrupt.
- Bit6      PI2C: I<sup>2</sup>C interrupt priority control bit;  
           1= Set to High-level Interrupt;  
           0= Set to low-level interrupt.
- Bit5      PWDT: WDT interrupt priority control bit;  
           1= Set to High-level Interrupt;  
           0= Set to low-level interrupt.
- Bit4      PADC: ADC interrupt priority control bit;  
           1= Set to High-level Interrupt;  
           0= Set to low-level interrupt.
- Bit3      PPWM: PWM interrupt priority control bit  
           1= Set to High-level Interrupt;  
           0= Set to low-level interrupt.
- Bit2      -- Reserved, must be 0.
- Bit1      PT4: TIMER4 interrupt priority control bit;  
           1= Set to High-level Interrupt;  
           0= Set to low-level interrupt.
- Bit0      PT3: TIMER3 interrupt priority control bit;  
           1= Set to High-level Interrupt;  
           0= Set to low-level interrupt.

## 9. Timer Counter 0/1 (Timer0/1)

Timer 0 is similar in type and structure to Timer 1 and is two 16-bit timers. Timer 1 has three modes of operation and Timer 0 has four modes of operation. They provide basic timing and event counting operations.

In "timer mode", the timing register is incremented every 12 or 4 system cycles when the timer clock is enabled.

In "counter mode", the timing register increments whenever it detects a falling edge on the corresponding input pin (T0 or T1).

### 9.1 Overview

Timer 0 and Timer 1 are fully compatible with the standard 8051 timer.

Each timer consists of two 8-bit registers: {TH0(0x8C):TL0(0x8A)} and {TH1(0x8D):TL1(0x8B)}. Timers 0 and 1 operate in four identical modes. The Timer0 and Timer1 patterns are described below.

Mode	M1	M0	Feature description
0	0	0	THx [7:0], TLx [4:0] form a 13-bit timer/counter
1	0	1	THx [7:0], TLx [7:0] form a 16-bit timer/counter
2	1	0	TLx [7:0] consists of an 8-bit auto-reload timer/counter that is reloaded from THx
3	1	1	TL0, TH0 are two 8-bit timers/counters, and Timer1 stops counting

The registers THx and TLx are special function registers with the function of storing the actual timer values. THx and TLx can be cascaded into 13-bit or 16-bit registers via mode options. Each time an internal clock pulse or an external timer pin is received, the value of the register is incremented by 1. The timer starts counting from the value contained in the preset register until the timer is full till overflow, at which point an internal interrupt signal is generated. If auto-overload mode is selected for the timer, the value of the timer is reset to the initial value of the preload register and continues counting, otherwise the value of the timer is reset to zero. Note that in order to get the maximum calculation range of the timing/counter, the preset registers must first be cleared to zero.

## 9.2 Related Registers

### 9.2.1 Timer0/1 Mode Register TMOD

0x89	Bit7	Bit6	Bit5	Bit4	Bit3	Bit2	Bit1	Bit0
TMOD	GATE1	CT1	T1M1	T1M0	GATE0	CT0	T0M1	T0M0
R/W	R/W	R/W	R/W	R/W	R/W	R/W	R/W	R/W
Reset Value	0	0	0	0	0	0	0	0

Bit7	GATE1: Timer 1 gate control bit; 1= Enable; 0= Disable.
Bit6	CT1: Timer 1 timing/count select bits; 1= Count; 0= Timing.
Bit5~Bit4	T1M<1:0>: Timer 1 mode select bit; 00= Mode 0, 13-bit timer/counter; 01= Mode 1, 16-bit timer/counter; 10= Mode 2, 8-bit automatic reload timer/counter; 11= Mode 3, Stop Count.
Bit3	GATE0: Timer 0 gate control bit; 1= Enable; 0= Disable.
Bit2	CT0: Timer 0 Timing/Count Select Bits; 1= Count; 0= Timing.
Bit1~ Bit0	T0M<1:0>: Timer 0 mode select bit; 00= Mode 0, 13-bit timer/counter; 01= Mode 1, 16-bit timer/counter; 10= Mode 2, 8-bit automatic reload timer/counter; 11= Mode 3, two independent 8-bit timers/counters.

## 9.2.2 Timer0/1 Control Register TCON

0x88	Bit7	Bit6	Bit5	Bit4	Bit3	Bit2	Bit1	Bit0
TCON	TF1	TR1	TF0	TR0	IE1	IT1	IE0	IT0
R/W	R/W	R/W	R/W	R/W	R/W	R/W	R/W	R/W
Reset Value	0	0	0	0	0	0	0	0

- Bit7      TF1: Timer1 counter overflow interrupt flag bit;  
           1= The Timer1 counter overflows and enters the interrupt service program hardware to automatically zero;  
           0= The Timer1 counter has no overflow.
- Bit6      TR1: Timer1 operational control bit;  
           1= Timer1 starts;  
           0= Timer1 is off.
- Bit5      TF0: Timer0 counter overflow interrupt flag bit;  
           1= The Timer0 counter overflows, entering the interrupt service program hardware to automatically zero;  
           0= The Timer0 counter has no overflow.
- Bit4      TR0: Timer0 operational control bit;  
           1= Timer0 starts;  
           0= Timer0 closes.
- Bit3      IE1: External interrupt 1 flag;  
           1= External interrupt 1 generates an interrupt, and the hardware of the interrupt service program is automatically cleared;  
           0= External interrupt 1 did not produce an interrupt.
- Bit2      IT1: External interrupt 1 trigger mode control bit;  
           1= Falling edge trigger;  
           0= Low level triggering.
- Bit1      IE0: External interrupt 0 flag;  
           1= External interrupt 0 generates an interrupt, and the hardware entering the interrupt service program is automatically cleared;  
           0= External interrupt 0 did not produce an interrupt.
- Bit0      IT0: External interrupt 0 trigger mode control bit;  
           1= Falling edge trigger;  
           0= Low level triggering.

## 9.2.3 Timer0 Data Register Low Bit TL0

0x8A	Bit7	Bit6	Bit5	Bit4	Bit3	Bit2	Bit1	Bit0
TL0	TL07	TL06	TL05	TL04	TL03	TL02	TL01	TL00
R/W	R/W	R/W	R/W	R/W	R/W	R/W	R/W	R/W
Reset Value	0	0	0	0	0	0	0	0

Bit7~ Bit0      TL0<7:0>: Timer 0 low data register (also as counter low).

### 9.2.4 Timer0 Data Register High Bit TH0

0x8C	Bit7	Bit6	Bit5	Bit4	Bit3	Bit2	Bit1	Bit0
TH0	TH07	TH06	TH05	TH04	TH03	TH02	TH01	TH00
R/W	R/W	R/W	R/W	R/W	R/W	R/W	R/W	R/W
Reset Value	0	0	0	0	0	0	0	0

Bit7~Bit0 TH0<7:0>: Timer 0 high bit data register (also as counter high bit).

### 9.2.5 Timer1 Data Register Low Bit TL1

0x8B	Bit7	Bit6	Bit5	Bit4	Bit3	Bit2	Bit1	Bit0
TL1	TL17	TL16	TL15	TL14	TL13	TL12	TL11	TL10
R/W	R/W	R/W	R/W	R/W	R/W	R/W	R/W	R/W
Reset Value	0	0	0	0	0	0	0	0

Bit7~Bit0 TL1<7:0>: Timer 1 low bit data register (also as counter low bit).

### 9.2.6 Timer1 Data Register High TH1

0x8D	Bit7	Bit6	Bit5	Bit4	Bit3	Bit2	Bit1	Bit0
TH1	TH17	TH16	TH15	TH14	TH13	TH12	TH11	TH10
R/W	R/W	R/W	R/W	R/W	R/W	R/W	R/W	R/W
Reset Value	0	0	0	0	0	0	0	0

Bit7~Bit0 TH1<7:0>: Timer 1 high-bit data register (also as counter high-bit).

### 9.2.7 Function Clock Control Register CKCON

0x8E	Bit7	Bit6	Bit5	Bit4	Bit3	Bit2	Bit1	Bit0
CKCON	WTS2	WTS1	WTS0	T1M	T0M	--	--	--
R/W	R/W	R/W	R/W	R/W	R/W	R/W	R/W	R/W
Reset Value	0	0	0	0	0	1	1	1

Bit7~Bit5 WTS<2:0>: WDT overflow time selection bits;

000=  $2^{17} \cdot T_{sys}$ ;

001=  $2^{18} \cdot T_{sys}$ ;

010=  $2^{19} \cdot T_{sys}$ ;

011=  $2^{20} \cdot T_{sys}$ ;

100=  $2^{21} \cdot T_{sys}$ ;

101=  $2^{22} \cdot T_{sys}$ ;

110=  $2^{24} \cdot T_{sys}$ ;

111=  $2^{26} \cdot T_{sys}$ .

Bit4 T1M: Timer1's clock source select bit;

0=  $F_{sys}/12$ ;

1=  $F_{sys}/4$ .

Bit3 T0M: Clock source select bit of Timer0;

0=  $F_{sys}/12$ ;

1=  $F_{sys}/4$ .

Bit2~Bit0 -- Reserved, must be 1.

## 9.3 Timer0/1 Interrupt

Timer0/1 can enable or disable interrupt via the IE register, and can also set high/low priority via the IP register, where the relevant bits are described as following:

### 9.3.1 Interrupt Mask Register IE

0xA8	Bit7	Bit6	Bit5	Bit4	Bit3	Bit2	Bit1	Bit0
IE	SHE	ES1	ET2	ES0	ET1	EX1	ET0	EX0
R/W	R/W	R/W	R/W	R/W	R/W	R/W	R/W	R/W
Reset Value	0	0	0	0	0	0	0	0

Bit7	SHE: Global interrupt enable bits; 1= Enable all unblocked interrupt; 0= Disable all Interrupt.
Bit6	ES1: UART1 interrupt enable bit; 1= EnableS UART1 interrupt; 0= Disable UART1 Interrupt.
Bit5	ET2: TIMER2 Global interrupt Enable bits; 1= Enable timer2 all interrupt; 0= Disable all TIMER2 interrupt.
Bit4	ES0: UART0 interrupt enable bit; 1= Enable UART0 interrupt; 0= Disable UART0 Interrupt.
Bit3	ET1: TIMER1 interrupt enable bit; 1= Enable TIMER1 interrupt; 0= Disabled TIMER1 Interrupt.
Bit2	EX1: External interrupt 1 interrupt Enables bits; 1= Enable external interrupt 1 interrupt; 0= Disable external interrupt 1 interrupt.
Bit1	ET0: TIMER0 interrupt enable bits; 1= Enable TIMER0 interrupt; 0= Disabled TIMER0 Interrupt.
Bit0	EX0: External interrupt 0 interrupt enable bit; 1= Enable external interrupt 0 interrupt; 0= Disable external interrupt 0 interrupt.



### 9.3.2 Interrupt Priority Controls Register IP

0xB8	Bit7	Bit6	Bit5	Bit4	Bit3	Bit2	Bit1	Bit0
IP	--	PS1	PT2	PS0	PT1	PX1	PT0	PX0
R/W	R/W	R/W	R/W	R/W	R/W	R/W	R/W	R/W
Reset Value	0	0	0	0	0	0	0	0

Bit7	--	Reserved, must be 0.
Bit6	PS1:	UART1 interrupt priority control bit; 1= Set to High-level Interrupt; 0= Set to low-level interrupt.
Bit5	PT2:	TIMER2 interrupt priority control bit; 1= Set to High-level Interrupt; 0= Set to low-level interrupt.
Bit4	PS0:	UART0 interrupt priority control bit; 1= Set to High-level Interrupt; 0= Set to low-level interrupt.
Bit3	PT1:	TIMER1 interrupt priority control bit; 1= Set to High-level Interrupt; 0= Set to low-level interrupt.
Bit2	PX1:	External interrupt 1 interrupt priority control bit; 1= Set to High-level Interrupt; 0= Set to low-level interrupt.
Bit1	PT0:	TIMER0 interrupt priority control bit; 1= Set to High-level Interrupt; 0= Set to low-level interrupt.
Bit0	PX0:	External interrupt 0 interrupt priority control bit; 1= Set to High-level Interrupt; 0= Set to low-level interrupt.

### 9.3.3 Timer0/1, INT0/1 Interrupt Flag Bit Register TCON

0x88	Bit7	Bit6	Bit5	Bit4	Bit3	Bit2	Bit1	Bit0
TCON	TF1	TR1	TF0	TR0	IE1	IT1	IE0	IT0
R/W	R/W	R/W	R/W	R/W	R/W	R/W	R/W	R/W
Reset Value	0	0	0	0	0	0	0	0

Bit7	TF1: Timer1 counter overflow interrupt flag bit; 1= Timer1 counter overflow, when entering the interrupt service program, the hardware is automatically cleared, and the software can also be cleared; 0= The Timer1 counter has no overflow.
Bit6	TR1: Timer1 operational control bit; 1= Timer1 starts; 0= Timer1 is off.
Bit5	TF0: Timer0 counter overflow interrupt flag bit; 1= Timer0 counter overflow, when entering the interrupt service program, the hardware is automatically cleared, and the software can also be cleared; 0= The Timer0 counter has no overflow.
Bit4	TR0: Timer0 operational control bit; 1= Timer0 starts; 0= Timer0 closes.
Bit3	IE1: External interrupt 1 flag; 1= External interrupt 1 generates an interrupt, the hardware is automatically cleared when entering the interrupt service program, and the software can also be cleared; 0= External interrupt 1 did not produce an interrupt.
Bit2	IT1: External interrupt 1 trigger mode control bit; 1= Falling edge trigger; 0= Low level triggering.
Bit1	IE0: External interrupt 0 flag; 1= External interrupt 0 generates an interrupt, the hardware is automatically cleared when entering the interrupt service program, and the software can also be cleared; 0= External interrupt 0 did not produce an interrupt.
Bit0	IT0: External interrupt 0 trigger mode control bit; 1= Falling edge trigger; 0= Low level triggering.

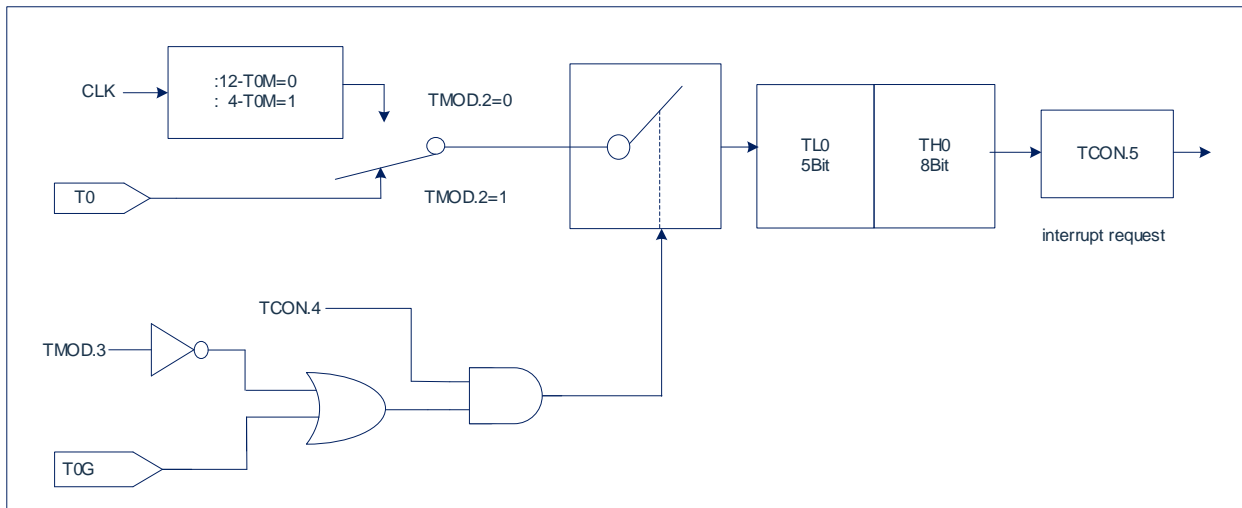
Flag bits that produce interrupt can be cleared by software, the same result as cleared by hardware. That is, an interrupt can be generated by software (it is not recommended to generate an interrupt by writing flag bits) or a pending interrupt can be canceled.

TF0, the TF1 flag bit can be cleared by writing 0 without enabling interrupt.

## 9.4 Timer0 Working Mode

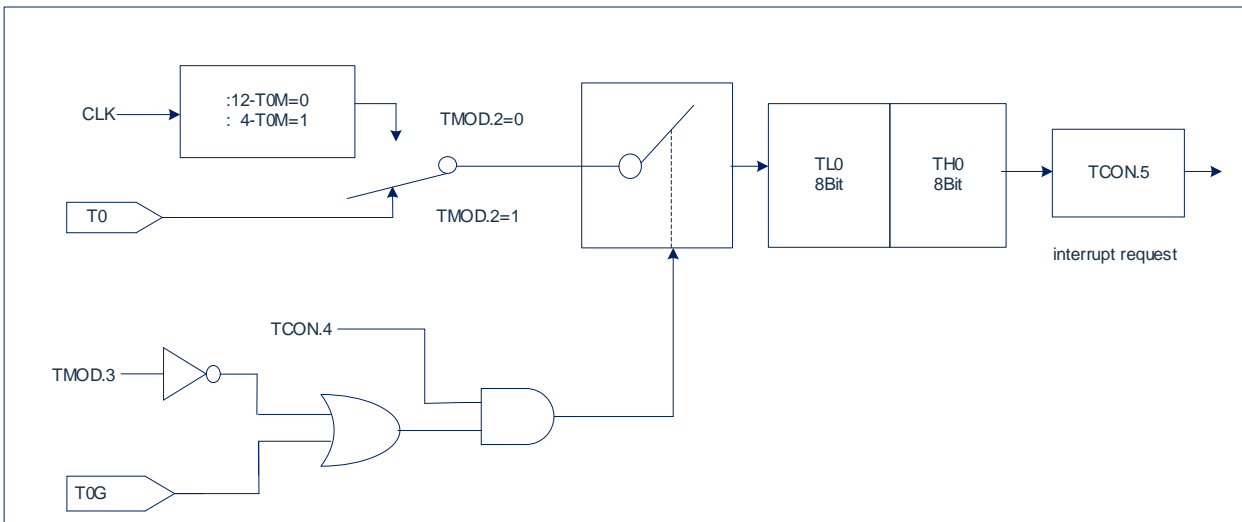
### 9.4.1 T0 - Mode 0 (13-bit Timing/Counting Mode)

In this mode, timer 0 is a 13-bit register. When all the bits of the counter are flipped from 1 to 0, the timer 0 interrupt flag TF0 is set to 1. When TCON.4=1 and TMOD.3=0 or TCON.4=1, TMOD.3=1, T0G=1, the count input is enabled to timer 0. (Setting TMOD.3=1 Enables timer 0 to be controlled by an external pin, T0G, for pulse width measurements). The 13-bit register consists of TH0 and TL0 low 5 bits. TL0 high 3 bits should be ignored. Timer0 Mode 0 block diagram is shown in the following figure:



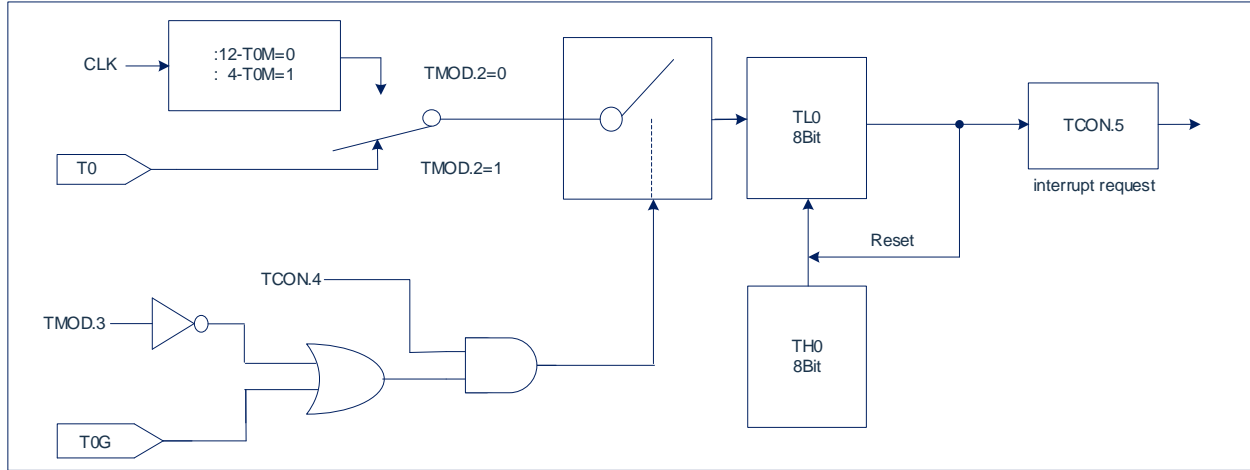
### 9.4.2 T0 - Mode 1 (16-bit Timing/Counting Mode)

Mode 1 is the same as mode 0, except that the timer 0 data register 16 bits are all running in mode 1. Timer0 mode 1 block diagram is shown in the following figure:



### 9.4.3 T0 - Mode 2 (8-bit Auto-reload Timing/Counting Mode)

The mode 2 timer register is an 8-bit counter (TL0) with auto reload mode, as shown in the figure below. The overflow from TL0 not only sets TF0 to 1, but also reloads the contents of TH0 from software to TL0. The value of TH0 remains unchanged during reloading. Timer0 Mode 2 block diagram as below:



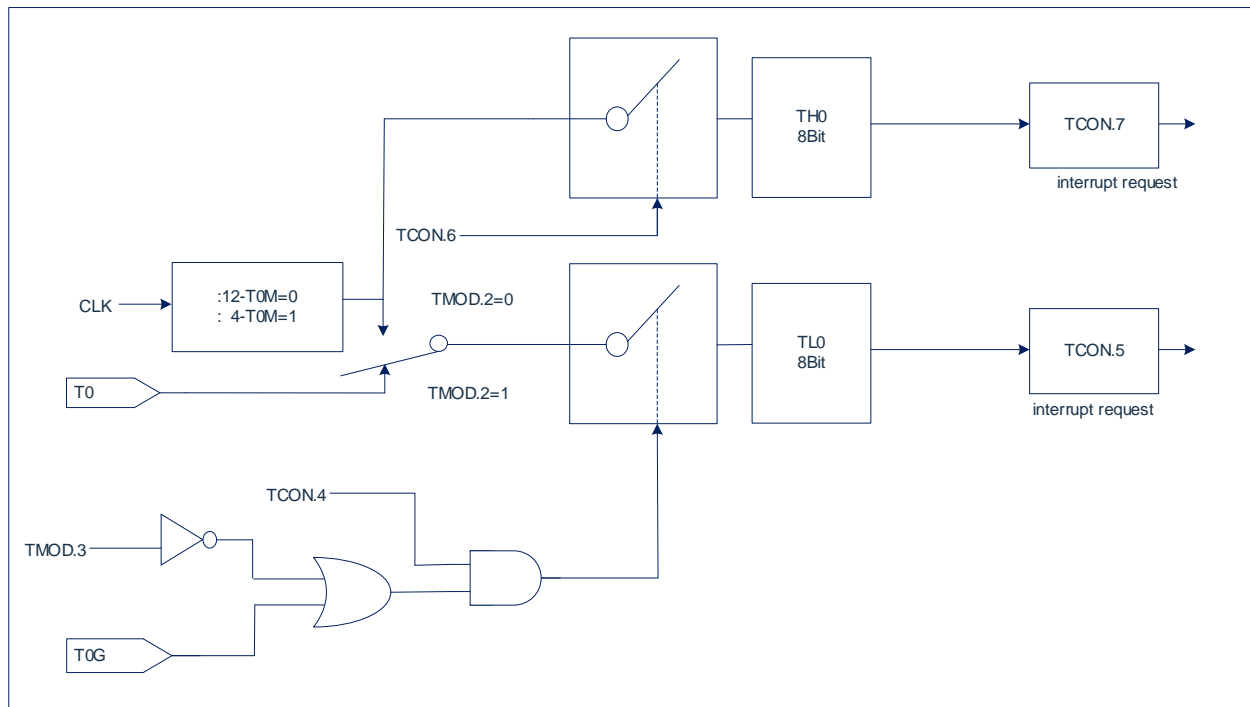
### 9.4.4 T0 - Mode 3 (Two Separate 8-bit Timers/Counters)

Timer 0 in mode 3 sets TL0 and TH0 to two independent counters. The logic of timer 0 mode 3 is shown in the following figure.

TL0 can operate as a timer or counter and use the control bits of timer 0: such as CT0, TR0, GATE0, and TF0.

TH0 can only operate as a timer, and uses the TR1 and TF1 flags of timer 1 and controls the interrupt of timer 1.

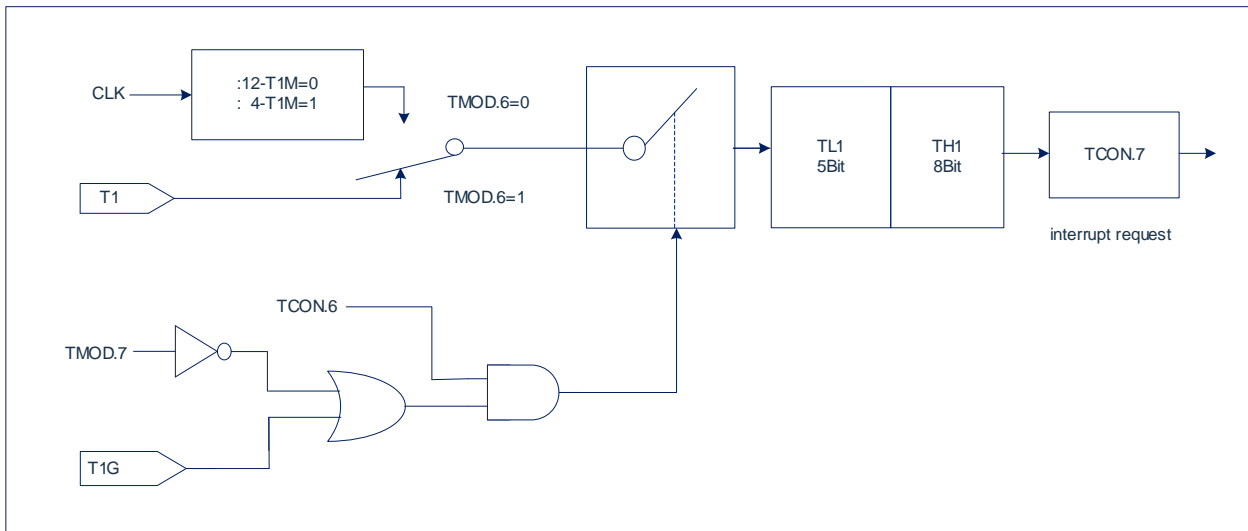
Mode 3 can be used when two 8-bit timers/counters are required. When timer 0 is in mode 3, timer 1 can turn it off by switching to its own mode 3, or it can still be used as a baud rate generator by the serial channel, or in any application that does not require an interrupt from timer 1. Timer0 Mode 3 block diagram is shown in the following figure:



## 9.5 Timer1 Working Mode

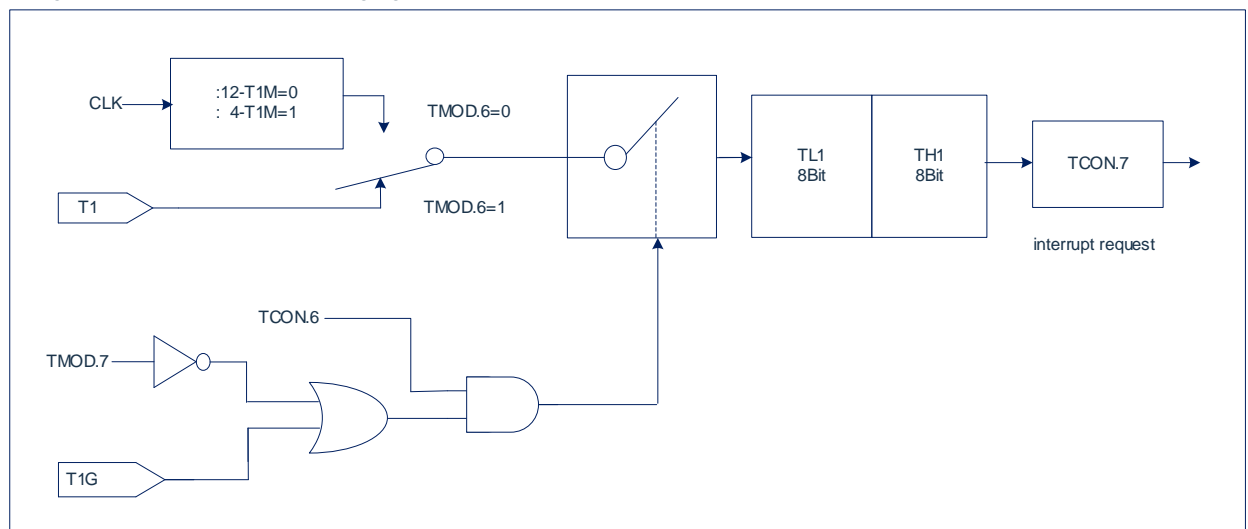
### 9.5.1 T1 - Mode 0 (13-bit Timing/Counting Mode)

In this mode, timer 1 is a 13-bit register. When all the bits of the counter are flipped from 1 to 0, the timer 1 interrupt flag TF1 is set to 1. When TCON.6=1 and TMOD.7=0 or when TCON.6=1, TMOD.7=1, and T1G=1, the count input is enabled to timer 1. (Setting TMOD.7=1 Enables timer 1 to be controlled by an external pin, T1G, for pulse width measurements). The 13-bit register consists of TH1 8 bits and TL1 low 5 bits. TL1 high three bits should be ignored. Timer1 Mode 0 block diagram is shown in the following figure:



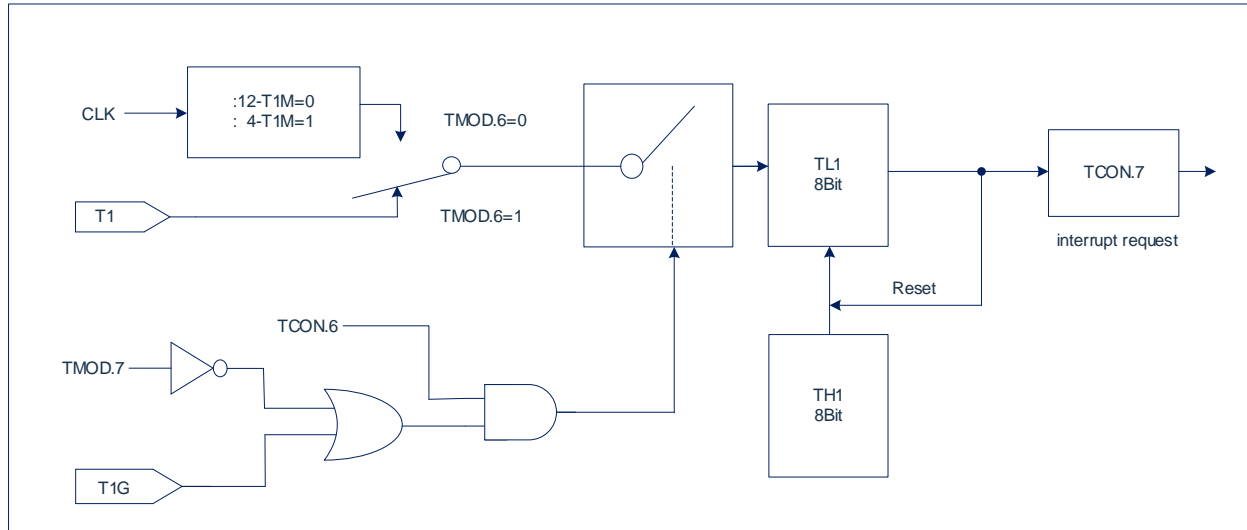
### 9.5.2 T1 - Mode 1 (16-bit Timing/Counting Mode)

Mode 1 is the same as mode 0, except that the timer 1 registers 16 bits are all running in mode 1. The Timer1 mode 1 block diagram is shown in the following figure:



### 9.5.3 T1 - Mode 2 (8-bit Auto Reload Timing/Counting Mode)

The timer 1 register in mode 2 is an 8-bit counter (TL1) with auto-reload mode, as shown in the figure below. The overflow from TL1 not only makes TF1 1, but also Reloads the contents of TH1 from software to TL1. The value of TH1 remains unchanged during reloading. The Timer1 mode 2 block diagram is shown in the following figure:



### 9.5.4 T1 - Mode 3 (Stop Count)

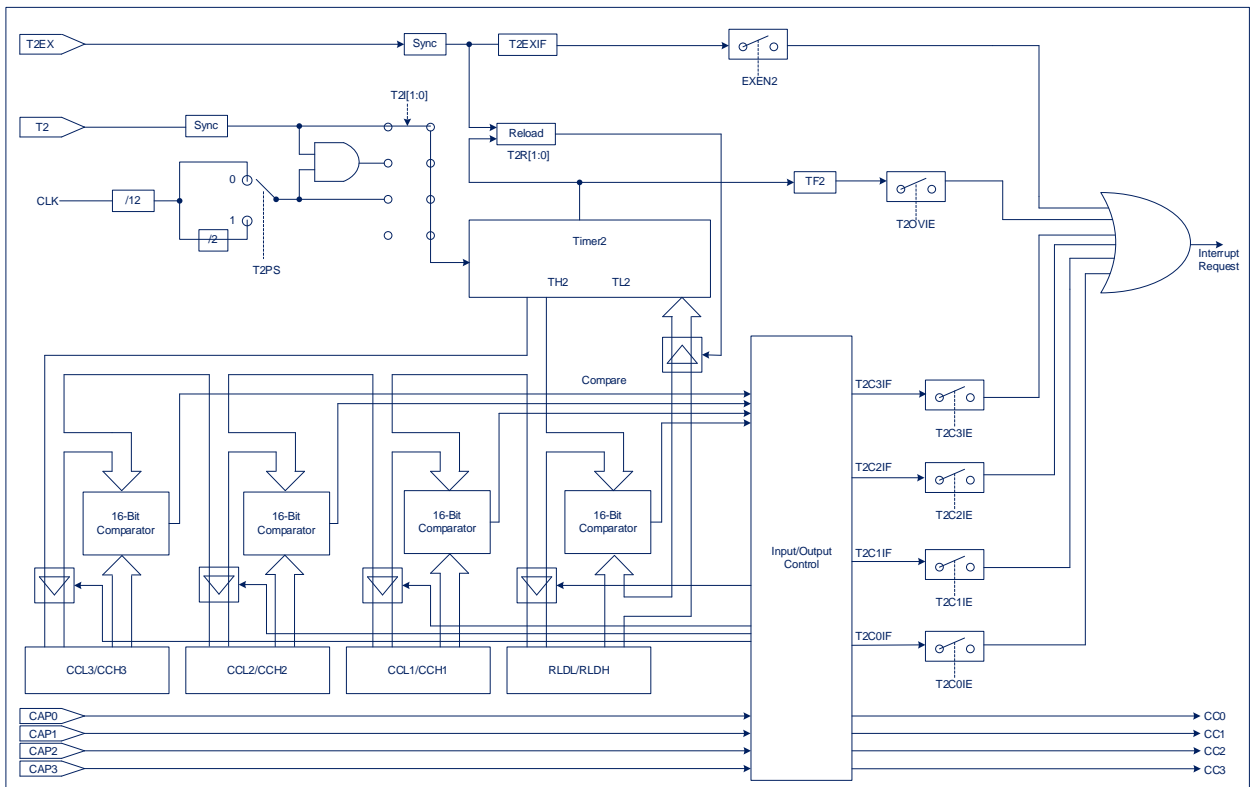
Timer 1 in mode 3 stops counting with the same effect as setting TR1=0.

## 10. Timer Counter 2 (Timer2)

Timer 2 with additional compare/capture/reload functionality is one of the core peripheral units. It can be used for the generation of various digital signals and event capture, such as pulse generation, pulse width modulation, pulse width measurement, etc.

### 10.1 Overview

Block diagram of timer 2 with additional compare/capture/reload register functions is shown in the following figure:



## 10.2 Related Registers

### 10.2.1 Timer2 Control Register T2CON

0xC8	Bit7	Bit6	Bit5	Bit4	Bit3	Bit2	Bit1	Bit0
T2CON	T2PS	I3FR	CAPES	T2R1	T2R0	T2CM	T2I1	T2I0
R/W	R/W	R/W	R/W	R/W	R/W	R/W	R/W	R/W
Reset Value	0	0	0	0	0	0	0	0

Bit7	T2PS: Timer2 clock prescaler selection bit; 1= F <sub>sys</sub> /24; 0= F <sub>sys</sub> /12.
Bit6	I3FR: Capture channel 0 input one-edge selection with comparison interrupt moment selection bit; Capture channel 0 mode: 1= Rising edge capture to RLDL/RLDH registers; 0= The falling edge is captured to the RLDL/RLDH register. Compare channel 0 modes: 1= TL2/TH2 and RLDL/RLDH never wait until the same moment to produce an interrupt; 0= TL2/TH2 and RLDL/RLDH are interrupted from the moment of equality to inequality;
Bit5	CAPES: Capture channels 1-3 input one-edge edge selection (in effect for capture channels 1-3). 0= The rising edge is captured to the CCL1/CCH1-CCL3/CCH3 registers; 1= The falling edge is captured to the CCL1/CCH1-CCL3/CCH3 registers.
Bit4~Bit3	T2R<1:0>: Timer2 Load mode select bit; 0x= Reloading is Disabled; 10= Loading mode 1: Automatically Reload when Timer2 overflows; 11= Loading mode 2: Reload on the descending edge of the T2EX pin.
Bit2	T2CM: Comparison mode selection; 1= Comparison mode 1; 0= Compare mode 0.
Bit1~Bit0	T2I<1:0>: Timer2 clock input select bit; 00= Timer2 stops; 01= Division of the system clock (selected by T2PS control crossover); 10= External pin T2 for event input (event count mode); 11= External pin T2 is the gating input (gating timing mode).

### 10.2.2 Timer2 Data Register Low Bit TL2

0xCC	Bit7	Bit6	Bit5	Bit4	Bit3	Bit2	Bit1	Bit0
TL2	TL27	TL26	TL25	TL24	TL23	TL22	TL21	TL20
R/W	R/W	R/W	R/W	R/W	R/W	R/W	R/W	R/W
Reset Value	0	0	0	0	0	0	0	0

Bit7~Bit0 TL2<7:0>: Timer 2 low bit data register (also as counter low bit).



### 10.2.3 Timer2 Data Register High TH2

0xCD	Bit7	Bit6	Bit5	Bit4	Bit3	Bit2	Bit1	Bit0
TH2	TH27	TH26	TH25	TH24	TH23	TH22	TH21	TH20
R/W	R/W	R/W	R/W	R/W	R/W	R/W	R/W	R/W
Reset Value	0	0	0	0	0	0	0	0

Bit7~Bit0 TH2<7:0>: Timer 2 high-bit data register (also as counter low).

### 10.2.4 Timer2 Compare/Capture/Auto Reload Register Low Bit RLDL

0xCA	Bit7	Bit6	Bit5	Bit4	Bit3	Bit2	Bit1	Bit0
RLDL	RLDL7	RLDL6	RLDL5	RLDL4	RLDL3	RLDL2	RLDL1	RLDL0
R/W	R/W	R/W	R/W	R/W	R/W	R/W	R/W	R/W
Reset Value	0	0	0	0	0	0	0	0

Bit7~Bit0 RLDL<7:0>: Timer 2 compare/capture/auto reload register low.

### 10.2.5 Timer2 Compare/Capture/Auto Reload Register High Bit RLDH

0xCB	Bit7	Bit6	Bit5	Bit4	Bit3	Bit2	Bit1	Bit0
RLDH	RLDH7	RLDH6	RLDH5	RLDH4	RLDH3	RLDH2	RLDH1	RLDH0
R/W	R/W	R/W	R/W	R/W	R/W	R/W	R/W	R/W
Reset Value	0	0	0	0	0	0	0	0

Bit7~Bit0 RLDH<7:0>: Timer 2 compare/capture/auto reload register high bits.

### 10.2.6 Timer2 Compares/Captures Channel 1 Registers Low CCL1

0xC2	Bit7	Bit6	Bit5	Bit4	Bit3	Bit2	Bit1	Bit0
CCL1	CCL17	CCL16	CCL15	CCL14	CCL13	CCL12	CCL11	CCL10
R/W	R/W	R/W	R/W	R/W	R/W	R/W	R/W	R/W
Reset Value	0	0	0	0	0	0	0	0

Bit7~Bit0 CCL1<7:0>: Timer 2 compares/captures channel 1 register low.

### 10.2.7 Timer2 Compares/Captures Channel 1 Register High Bit CCH1

0xC3	Bit7	Bit6	Bit5	Bit4	Bit3	Bit2	Bit1	Bit0
CCH1	CCH17	CCH16	CCH15	CCH14	CCH13	CCH12	CCH11	CCH10
R/W	R/W	R/W	R/W	R/W	R/W	R/W	R/W	R/W
Reset Value	0	0	0	0	0	0	0	0

Bit7~Bit0 CCH1<7:0>: Timer 2 compares/captures channel 1 register high bits.

### 10.2.8 Timer2 Compares/Captures Channel 2 Registers Low CCL2

0xC4	Bit7	Bit6	Bit5	Bit4	Bit3	Bit2	Bit1	Bit0
CCL2	CCL27	CCL26	CCL25	CCL24	CCL23	CCL22	CCL21	CCL20
R/W	R/W	R/W	R/W	R/W	R/W	R/W	R/W	R/W
Reset Value	0	0	0	0	0	0	0	0

Bit7~Bit0      CCL2<7:0>: Timer 2 compares/captures channel 2 registers low.

### 10.2.9 Timer2 Compares/Captures Channel 2 Registers High-bit CCH2

0xC5	Bit7	Bit6	Bit5	Bit4	Bit3	Bit2	Bit1	Bit0
CCH2	CCH27	CCH26	CCH25	CCH24	CCH23	CCH22	CCH21	CCH20
R/W	R/W	R/W	R/W	R/W	R/W	R/W	R/W	R/W
Reset Value	0	0	0	0	0	0	0	0

Bit7~Bit0      CCH2<7:0>: Timer 2 compares/captures channel 2 register bits.

### 10.2.10 Timer2 Compares/Captures Channel 3 Registers to Low CCL3

0xC6	Bit7	Bit6	Bit5	Bit4	Bit3	Bit2	Bit1	Bit0
CCL3	CCL37	CCL36	CCL35	CCL34	CCL33	CCL32	CCL31	CCL30
R/W	R/W	R/W	R/W	R/W	R/W	R/W	R/W	R/W
Reset Value	0	0	0	0	0	0	0	0

Bit7~Bit0      CCL3<7:0>: Timer 2 compares/captures channel 3 registers low.

### 10.2.11 Timer2 Compares/Captures Channel 3 Registers High Bit CCH3

0xC7	Bit7	Bit6	Bit5	Bit4	Bit3	Bit2	Bit1	Bit0
CCH3	CCH37	CCH36	CCH35	CCH34	CCH33	CCH32	CCH31	CCH30
R/W	R/W	R/W	R/W	R/W	R/W	R/W	R/W	R/W
Reset Value	0	0	0	0	0	0	0	0

Bit7~Bit0      CCH3<7:0>: Timer 2 compares/captures channel 3 register high bits.

### 10.2.12 Timer2 Compares the Capture Control Register CCEN

0xCE	Bit7	Bit6	Bit5	Bit4	Bit3	Bit2	Bit1	Bit0
CCEN	CMH3	CML3	CMH2	CML2	CMH1	CML1	CMH0	CML0
R/W	R/W	R/W	R/W	R/W	R/W	R/W	R/W	R/W
Reset Value	0	0	0	0	0	0	0	0

- Bit7~Bit6      CMH3-CML3: Capture/Compare Mode Control Bits;  
 00= Capture/Compare Disabled;  
 01= The capture operation is triggered on the rising or falling edge of channel 3 (CAPES selection);  
 10= Comparison mode enable;  
 11= The capture operation is triggered when writing CCL3 or the double edge of channel 3.
- Bit5~Bit4      CMH2-CML2: Capture/Compare Mode Control Bits;  
 00= Capture/Compare Disabled;  
 01= The capture operation is triggered on the rising or falling edge of channel 2 (CAPES selection);  
 10= Comparison mode enable;  
 11= The capture operation is triggered when writing CCL2 or the double edge of channel 2.
- Bit3~Bit2      CMH1-CML1: Capture/Compare Mode Control Bits;  
 00= Capture/Compare Disabled;  
 01= The capture operation is triggered on the rising or falling edge of channel 1 (CAPES selection);  
 10= Comparison mode enable;  
 11= The capture operation is triggered when writing CCL1 or the double edge of channel 1.
- Bit1~Bit0      CMH0-CML0: Capture/Compare Mode Control Bits;  
 00= Capture/Compare Disabled;  
 01= The capture operation is triggered on the rising or falling edge of channel 0 (I3FR selection);  
 10= Comparison mode enable;  
 11= The capture operation is triggered when writing the RLDL or the double edge of channel 0.

## 10.3 Timer2 Interrupt

Timer 2 can be enabled or disabled by register IE, and high/low priority can also be set via IP registers. Timer2 has 4 interrupt types:

- ◆ A timed overflow interrupt.
- ◆ The external pin T2EX drops along the interrupt.
- ◆ Compare interrupt.
- ◆ Capture interrupt.

To set the Timer2 interrupt, configure the global interrupt enable bit (EA=1), the Timer2 global interrupt enable bit (ET2=1), and the corresponding interrupt type enable bit (T2IE) for Timer2. The four types of interrupt in Timer2 all share an interrupt vector, and after entering the interrupt service program, you need to determine the relevant flag bits to determine which type of interrupt is generated.

### 10.3.1 Interrupt Correlation Registers

#### 10.3.1.1 Interrupt Mask Register IE

0xA8	Bit7	Bit6	Bit5	Bit4	Bit3	Bit2	Bit1	Bit0
IE	SHE	ES1	ET2	ES0	ET1	EX1	ET0	EX0
R/W	R/W	R/W	R/W	R/W	R/W	R/W	R/W	R/W
Reset Value	0	0	0	0	0	0	0	0

Bit7	SHE: Global interrupt enable bit; 1= Enable all unblocked interrupt; 0= Disable all Interrupt.
Bit6	ES1: UART1 interrupt enable bit; 1= Enable UART1 interrupt; 0= Disable UART1 Interrupt.
Bit5	ET2: TIMER2 Global interrupt Enable bit; 1= Enable all interrupt of TIMER2; 0= All interrupt of TIMER2 are Disabled.
Bit4	ES0: UART0 interrupt enable bit; 1= Enable UART0 interrupt; 0= Disable UART0 Interrupt.
Bit3	ET1: TIMER1 interrupt enable bit; 1= Enable TIMER1 interrupt; 0= Disabled TIMER1 Interrupt.
Bit2	EX1: External interrupt 1 interrupt Enables bit; 1= Enable external interrupt 1 interrupt; 0= Disable external interrupt 1 interrupt.
Bit1	ET0: TIMERO0 interrupt enable bit; 1= Enable TIMERO0 interrupt; 0= Disabled TIMERO0 Interrupt.
Bit0	EX0: External interrupt 0 interrupt enable bit; 1= Enable external interrupt 0 interrupt; 0= Disable external interrupt 0 interrupt.

**10.3.1.2 Timer2 Interrupt Mask Register T2IE**

0xCF	Bit7	Bit6	Bit5	Bit4	Bit3	Bit2	Bit1	Bit0
T2IE	T2OVIE	T2EXIE	--	--	T2C3IE	T2C2IE	T2C1IE	T2C0IE
R/W	R/W	R/W	R/W	R/W	R/W	R/W	R/W	R/W
Reset Value	0	0	0	0	0	0	0	0

- Bit7 T2OVIE: Timer2 overflow interrupt enable bit;  
1= Interrupt is Enabled;  
0= Interrupt is Disabled.
- Bit6 T2EXIE: Timer2 external loading interrupt Enables bit;  
1= Interrupt is Enabled;  
0= Interrupt is Disabled.
- Bit5~Bit4 -- Reserved, must be 0.
- Bit3 T2C3IE: Timer2 compares channel 3 interrupt Enableable bit;  
1= Interrupt is Enabled;  
0= Interrupt is Disabled.
- Bit2 T2C2IE: Timer2 compares channel 2 interrupt enable bit;  
1= Interrupt is Enabled;  
0= Interrupt is Disabled.
- Bit1 T2C1IE: Timer2 compares channel 1 interrupt enable bit;  
1= Interrupt is Enabled;  
0= Interrupt is Disabled.
- Bit0 T2C0IE: Timer2 compares channel 0 interrupt Enabled bit;  
1= Interrupt is Enabled;  
0= Interrupt is Disabled.

If you want to enable the interrupt of Timer2, you also need to enable the global interrupt enable bit OF TIME2=1 (IE.5=1).

**10.3.1.3 Interrupt Priority Controls Register IP**

0xB8	Bit7	Bit6	Bit5	Bit4	Bit3	Bit2	Bit1	Bit0
IP	--	PS1	PT2	PS0	PT1	PX1	PT0	PX0
R/W	R/W	R/W	R/W	R/W	R/W	R/W	R/W	R/W
Reset Value	0	0	0	0	0	0	0	0

- Bit7 -- Reserved, must be 0.
- Bit6 PS1: UART1 interrupt priority control bit;  
1= Set to High-level Interrupt;  
0= Set to low-level interrupt.
- Bit5 PT2: TIMER2 interrupt priority control bit;  
1= Set to High-level Interrupt;  
0= Set to low-level interrupt.
- Bit4 PS0: UART0 interrupt priority control bit;  
1= Set to High-level Interrupt;  
0= Set to low-level interrupt.
- Bit3 PT1: TIMER1 interrupt priority control bit;  
1= Set to High-level Interrupt;  
0= Set to low-level interrupt.
- Bit2 PX1: External interrupt 1 interrupt priority control bit;  
1= Set to High-level Interrupt;  
0= Set to low-level interrupt.

- Bit1 PT0: TIMER0 interrupt priority control bit;  
 1= Set to High-level Interrupt;  
 0= Set to low-level interrupt.
- Bit0 PX0: External interrupt 0 interrupt priority control bit;  
 1= Set to High-level Interrupt;  
 0= Set to low-level interrupt.

#### 10.3.1.4 Timer2 Interrupt Flag Bit Register T2IF

0xC9	Bit7	Bit6	Bit5	Bit4	Bit3	Bit2	Bit1	Bit0
T2IF	TF2	T2EXIF	--	--	T2C3IF	T2C2IF	T2C1IF	T2C0IF
R/W	R/W	R/W	R/W	R/W	R/W	R/W	R/W	R/W
Reset Value	0	0	0	0	0	0	0	0

- Bit7 TF2: Timer2 counter overflow interrupt flag bit;  
 1= Timer2 counter overflow, software zeroing is required;  
 0= The Timer2 counter has no overflow.
- Bit6 T2EXIF: Timer2 externally loaded flag bit;  
 1= The T2EX port of Timer2 generates a falling edge, which requires software clearance;  
 0= --
- Bit5~Bit4 -- Reserved, must be 0.
- Bit3 T2C3IF: Timer2 Compare/Capture Channel 3 Flag Bit;  
 1= Timer2 Compare channel 3 {CCH3:CCL3}={TH2:TL2} or capture channel 3 produces a capture operation that requires software zeroing.  
 0= --
- Bit2 T2C2IF: Timer2 Compare/Capture Channel 2 Flag Bit;  
 1= Timer2 Compare channel 2 {CCH2:CCL2}={TH2:TL2} or capture channel 2 to produce a capture operation that requires software zeroing.  
 0= --
- Bit1 T2C1IF: Timer2 Compare/Capture Channel 1 Flag Bit;  
 1= Timer2 Compare channel 1 {CCH1:CCL1}={TH2:TL2} or capture channel 1 to produce a capture operation that requires software zeroing.  
 0= --
- Bit0 T2C0IF: Timer2 Compare/Capture Channel 0 Flag Bit;  
 1= Timer2 Compare channel 0 {RLDH:RLDL}={TH2:TL2} or capture channel 0 produces a capture operation that requires software zeroing.  
 0= --

### 10.3.2 Timed Interrupt

The timer interrupt enable bit is set by register T2IE[7], and the interrupt flag bit is viewed by register T2IF[7]. When the Timer2 timer overflows, the timer overflow interrupt flag bit TF2 will be set to 1.

### 10.3.3 Externally Triggered Interrupt

The external pin T2EX descending edge trigger interrupt enable bit is set by register T2IE[6], and the interrupt flag bit is viewed by register T2IF[6]. When the T2EX pin drops the edge, the external load interrupt flag bit T2EXIF will be placed at 1.

### 10.3.4 Compare Interrupt

All four comparison channels support comparison interrupt. The comparison interrupt enable bit is set by register T2IE[3:0], and the interrupt flag bit is viewed by register T2IF[3:0].

Comparing channel 0 can choose to compare the moment when the interrupt occurred, and if an interrupt is generated, the interrupt flag T2C0IF of the comparison channel 0 is set to 1.

When I3FR = 0, TL2/TH2 and RLDL/RLDH never wait until the same moment to produce an interrupt;

When I3FR = 1, TL2/TH2 and RLDL/RLDH are interrupted from the moment of equality to inequality;

Comparing channels 1 to 3 can not choose the interrupt generation time, fixed to TL2/TH2 and CCxL/CCxH never wait until the same time to produce an interrupt. If an interrupt is generated, the corresponding comparison channel interrupt flag T2CxIF is set to 1.

### 10.3.5 Capture Interrupt

All four capture channels support external capture interrupt. The capture interrupt enable bit is set by register T2IE[3:0], and the interrupt flag bit is viewed by register T2IF[3:0]. When a capture operation is generated, the interrupt flag T2CxIF of the corresponding capture channel is set to 1.

Note Write capture does not produce Interrupt.

## 10.4 Timer2 Feature Description

Timer 2 is a 16-bit up counting timer with a clock source from the system clock. Timer2 can be configured with the following functional modes:

- ◆ Timing mode.
- ◆ Reload mode.
- ◆ Gating timing mode.
- ◆ Event count pattern.
- ◆ Compare mode.
- ◆ Capture mode.

Different modes of timer 2 can be set for generation and event capture of various digital signals, such as pulse generation, pulse width modulation, pulse width measurement, etc.

### 10.4.1 Timing Mode

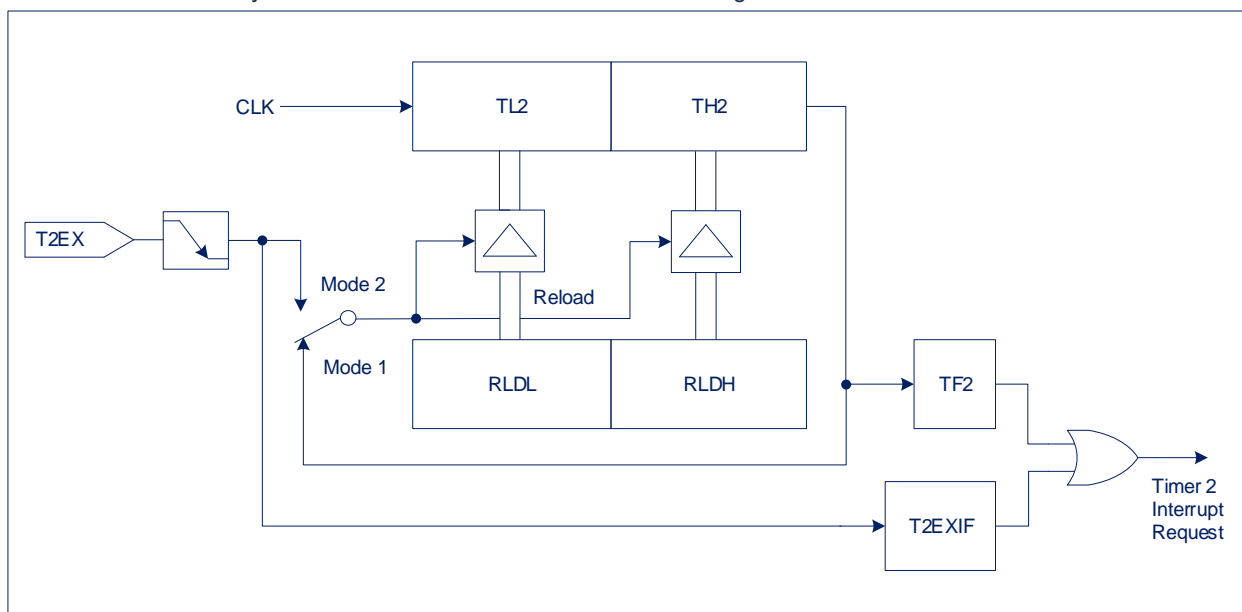
When used as a timer function, the clock source comes from the system clock. The prescaler provides 1/12 or 1/24 system frequency selection, and the value of the prescaler is selected by the T2PS bit of register T2CON. Thus, the 16-bit timer register (consisting of TH2 and TL2) is incremented every 12 clock cycles or every 24 clock cycles.

### 10.4.2 Reload Mode

The reload mode of timer 2 is selected by the T2R0 and T2R1 bits of register T2CON, as shown in the reload block diagram below.

In load mode 1: When the Timer2 counter is flipped from all 1 to 0 (counter overflow), not only the interrupt flag bit TF2 is set to 1, but the Timer2 register automatically loads the 16-bit value from the RLDL/RLDH register, thus covering the 0x0000 of the count value, and the required RLDL/RLDH value can be preset by the software.

In load mode 2: The 16-bit reload operation from the RLDL/RLDH register is triggered by the falling edge of the corresponding T2EX input pin. When the falling edge of T2EX is detected, the external loading interrupt flag bit T2EXIF is set to 1, while Timer2 automatically loads the 16-bit value of the RLDL/RLDH register as the initial value of the count.





### 10.4.3 Gated Timing Mode

When Timer2 is used as a gated timer function, an external input pin, T2, serves as the gated input to timer 2. If the T2 pin is high, the internal clock input is gated to the timer. A low T2 pin terminates the counting. This function is often used to measure pulse width.

### 10.4.4 Event Counting Mode

When Timer2 is used as an event counting function, the timer counter adds 1 to the falling edge of the external input pin T2. The external input signal is sampled at each system clock cycle, and the count increases when the sampling input shows a high level for one cycle and a low level for the next. When a change from high to low on the T2 pin is detected in the following cycle, the new count value is updated to the timer data register.

### 10.4.5 Comparison Mode

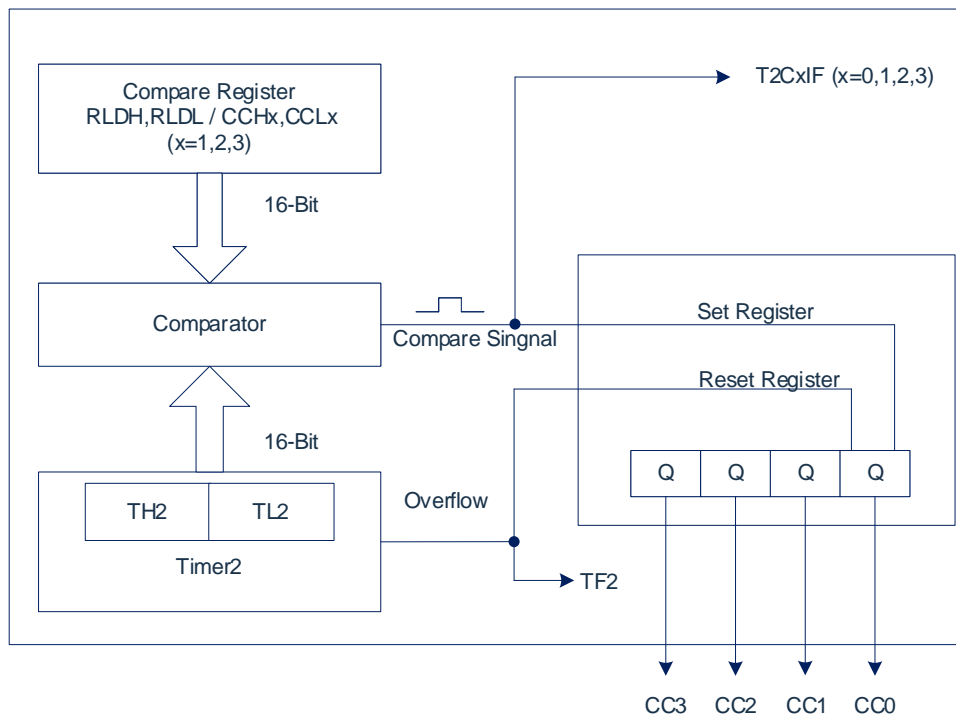
The comparison function consists of two modes: comparison mode 0 and comparison mode 1, selected by the T2CM bit in the special function register T2CON. These two comparison modes generate periodic signals and change the duty cycle control mode, and are often used for pulse width modulation (PWM) and control applications where continuous square waves need to be generated, covering a wide range of applications.

The output channels of the comparison function are CC0, CC1, CC2, CC3. Corresponding to the 16-bit comparison register {RLDH,RLDL},{CCH1,CCL1},{CCH2,CCL2},{CCH3,CCL3} and the data register {TH2,TL2} output signal.

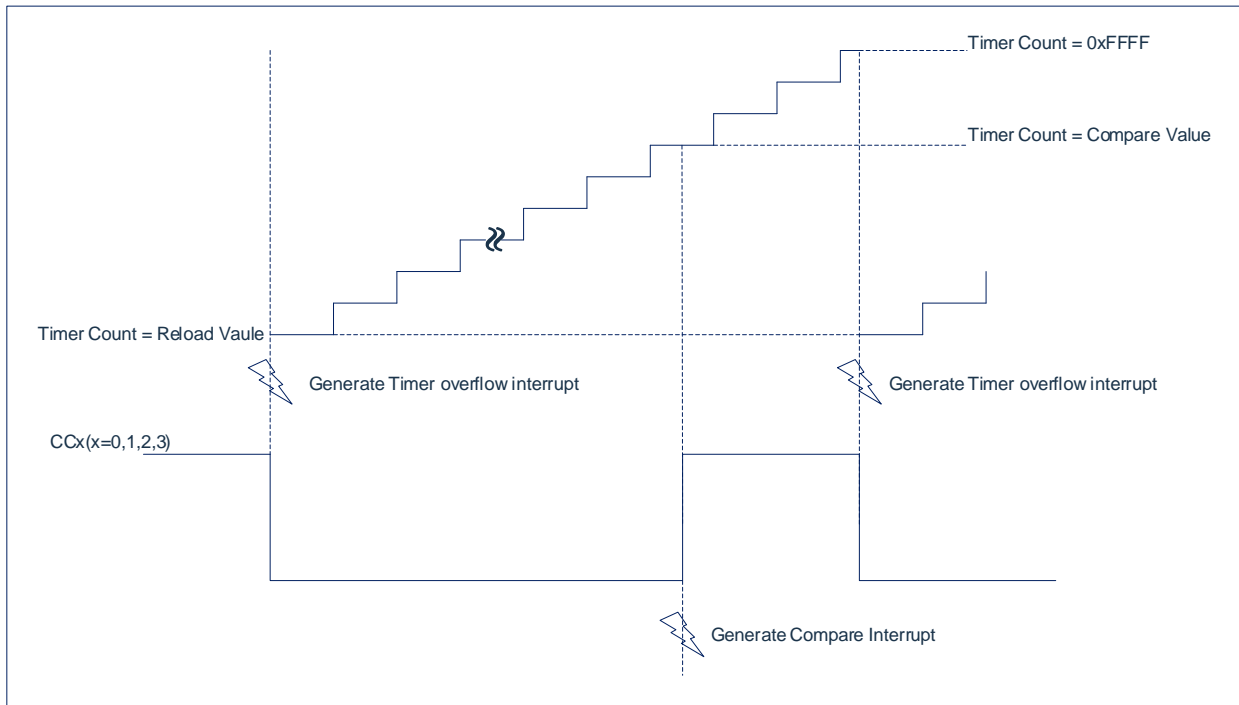
The 16-bit stored value stored in the comparison register is compared to the count value of the timer, and if the count value in the data register matches the stored value, a jump in the output signal is generated on the corresponding port pin and an interrupt flag bit is generated.

#### 10.4.5.1 Comparison Mode 0

In mode 0, when the timer's count value and the comparison register are equal, the comparison output signal changes from low to high. When the timer count value overflows, the comparison output signal goes low. The comparison output channel is directly controlled by two events: the timer overflow and the comparison operation. The block diagram of compare mode 0 is shown in the following figure:



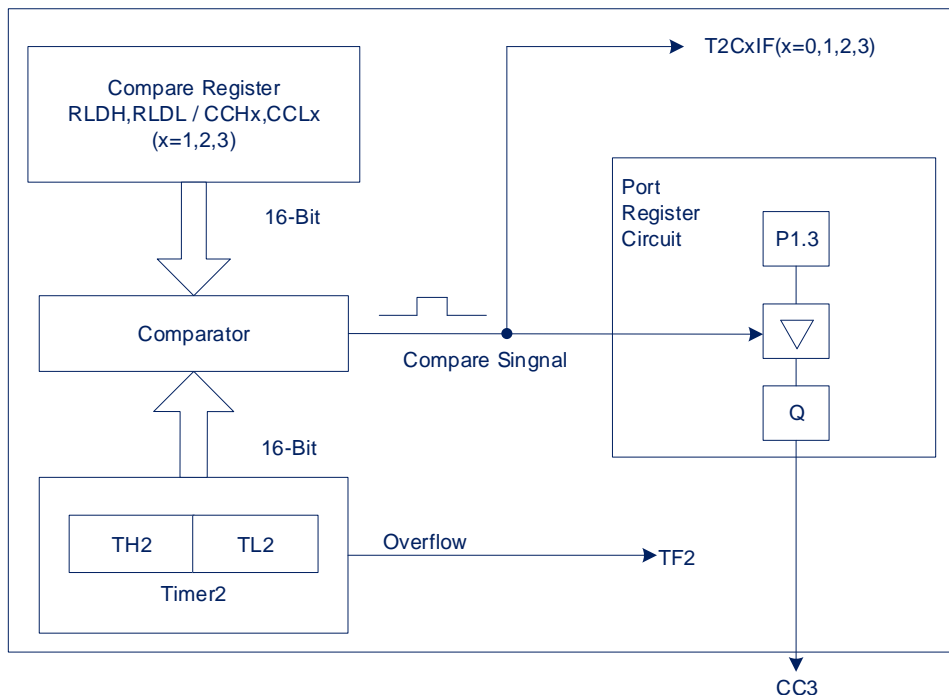
The output block diagram of compare mode 0 is shown in the following figure:



#### 10.4.5.2 Comparison Mode 1

In comparison mode 1, it is typically used where the output signal is independent of a constant signal cycle, where the software adaptively determines the output signal transition.

If mode 1 is enabled, the software writes to the corresponding output register of the CC3 port, and the new value does not appear on the output pin until the next comparison match occurs. When the timer 2 counter matches the stored comparison value, the user can choose whether the output signal changes the new value or keeps its old value in one of two ways. The block diagram of Comparison Mode 1 is shown in the following figure:



## 10.4.6 Capture Mode

Each of the four 16-bit registers {RLDH,RLDL}, {CCH1,CCL1}, {CCH2,CCL2}, {CCH3,CCL3} can be used to latch the current 16-bit value of {TH2,TL2}. This feature provides two different capture modes.

In mode 0, an external event can latch the contents of timer 2 into the capture register.

In mode 1, the capture operation occurs when a low-bit byte (RLDL/CCL1/CCL2/CCL3) is written to the 16-bit capture register. This mode enables the software to read the contents of {TH2,TL2} at runtime.

Capture channels 0 to 3 select the capture input pins CAP0 to CAP3 as the input source signal.

### 10.4.6.1 Capture Mode 0

In capture mode 0, positive, negative, or positive and negative transactions on capture channels 0 to 3 (CAP0 to CAP3) will produce capture events. When a capture event occurs, the timer's count value lock is stored in the corresponding capture register.

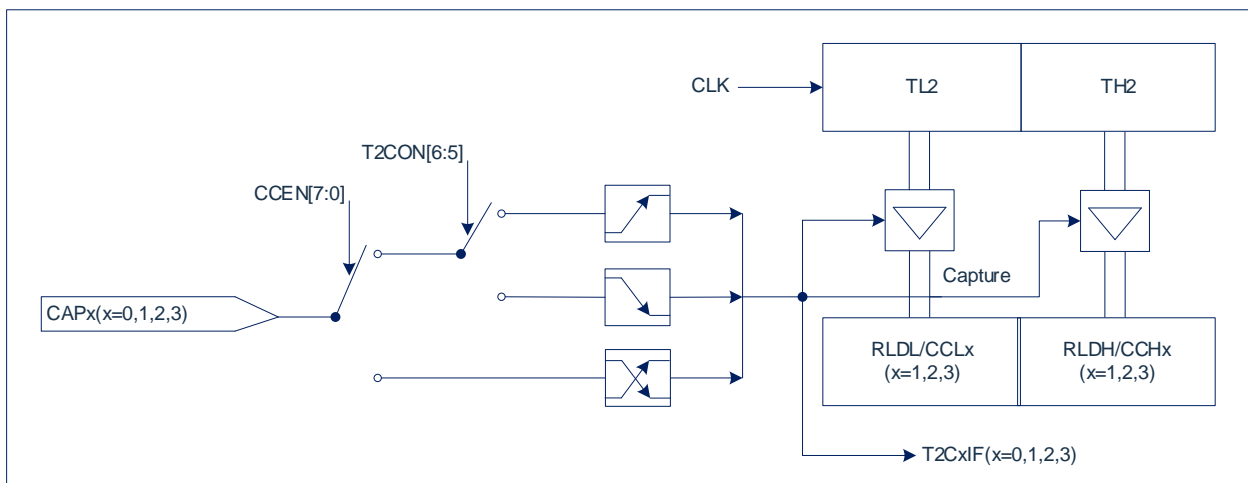
Whether a positive transaction triggers capture operation or a negative transaction triggers capture operation on capture channel 0 depends on the I3FR bit of T2CON. I3FR=0, negative transaction trigger capture; I3FR=1, positive transaction trigger capture.

Whether a positive transaction trigger capture operation or a negative transaction trigger capture operation on capture channels 1 to 3 depends on the CAPES bit of the T2CON. CAPES=0, positive transaction trigger capture; CAPES=1, negative transaction trigger capture. The transition mode for the selection of capture channels 1 to 3 is the same

Capture channels 0 to 3 support double- transactions capture operations at the same time. Select the corresponding operating mode control bit of the CCEN register to 11, and the channel supports double- transaction capture operation. It should be noted that this mode of operation also supports capture mode 1, that is, the write operation can produce a capture action.

In capture mode 0, external capture events from capture channel 0 to 3 can produce interrupt.

The block diagram of Capture Mode 0 is shown in the following figure:

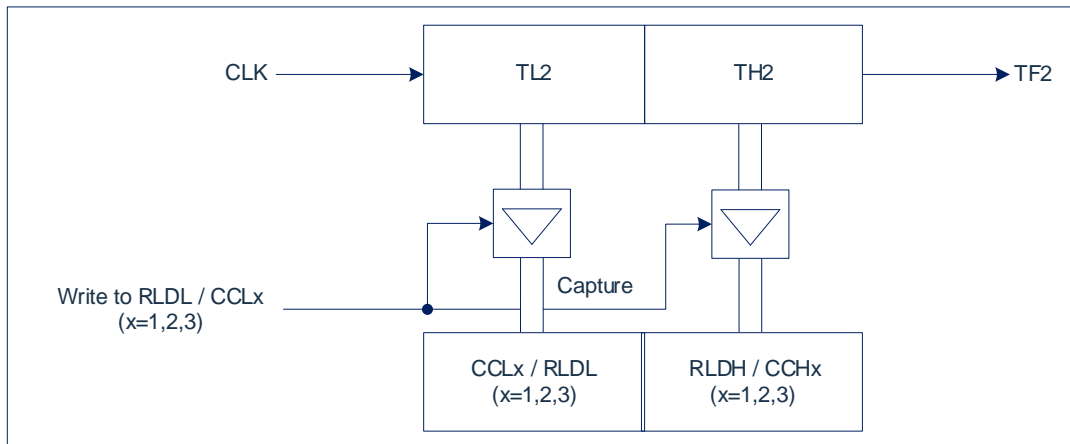


### 10.4.6.2 Capture Mode 1

In capture mode 1, the capture operation event is the execution of a write byte instruction to the capture register. A write register signal, such as a write RLDL, initiates a capture operation, and the value written is independent of this function. After the write instruction is executed, the contents of timer 2 are latched into the corresponding capture register.

In capture mode 1, capture events for capture channels 0 to 3 do not produce interrupt request flags.

The block diagram of Capture Mode 1 is shown in the following figure:



## 11. Timer 3/4 (Timer3/4)

Timer 3/4 is similar to timer 0/1 in that it is two 16-bit timers. Timer 3 has four modes of operation and Timer 4 has three modes of operation. In contrast to Timer0/1, Timer3/4 only provides timer operations.

With the timer activated, the value of the register is incremented every 12 or 4 system cycles.

### 11.1 Overview

Timer 3 and timer 4 consist of two 8-bit registers {TH3, TL3} and {TH4, TL4}. Timers 3,4 operate in four identical modes.

The Timer3 and Timer4 patterns are described below:

mode	M1	M0	Feature description
0	0	0	THx [7:0], TLx [4:0] make up a 13-bit timer
1	0	1	THx [7:0], TLx [7:0] make up a 16-bit timer
2	1	0	TLx [7:0] consists of an 8-bit auto-reload timer that is Reloaded from THx
3	1	1	TL3, TH3 are two 8-bit timers, and Timer4 stop counting

### 11.2 Related Registers

#### 11.2.1 Timer3/4 Control Register T34MOD

0xD2	Bit7	Bit6	Bit5	Bit4	Bit3	Bit2	Bit1	Bit0
T34MOD	TR4	T4M	T4M1	T4M0	TR3	T3M	T3M1	T3M0
R/W	R/W	R/W	R/W	R/W	R/W	R/W	R/W	R/W
Reset Value	0	0	0	0	0	0	0	0

Bit7	TR4: Timer4 operational control bit; 1= Timer4 starts; 0= Timer4 is off.
Bit6	T4M: Timer 4 clock select bit; 1= Fsys/4; 0= Fsys/12.
Bit5~Bit4	T4M<1:0>: Timer 4 mode select bit; 00= Mode 0, 13-bit timer; 01= Mode 1, 16-bit timer; 10= Mode 2, 8-bit automatic reload timer; 11= Mode 3, Stop Count.
Bit3	TR3: Timer3 operational control bit; 1= Timer3 starts; 0= Timer3 is off.
Bit2	T3M: Timer 3 clock select bit; 1= Fsys/4; 0= Fsys/12.
Bit1~Bit0	T3M<1:0>: Timer 3 mode select bit; 00= Mode 0, 13-bit timer; 01= Mode 1, 16-bit timer; 10= Mode 2, 8-bit automatic reload timer; 11= Mode 3, two independent 8-bit timers.

### 11.2.2 Timer3 Data Register Low Bit TL3

0xDA	Bit7	Bit6	Bit5	Bit4	Bit3	Bit2	Bit1	Bit0
TL3	TL37	TL36	TL35	TL34	TL33	TL32	TL31	TL30
R/W	R/W	R/W	R/W	R/W	R/W	R/W	R/W	R/W
Reset Value	0	0	0	0	0	0	0	0

Bit7~Bit0      TL3<7:0>: Timer 3 low bit data register (while acting as timer low bit).

### 11.2.3 Timer3 Data Register High Bit TH3

0xDB	Bit7	Bit6	Bit5	Bit4	Bit3	Bit2	Bit1	Bit0
TH3	TH37	TH36	TH35	TH34	TH33	TH32	TH31	TH30
R/W	R/W	R/W	R/W	R/W	R/W	R/W	R/W	R/W
Reset Value	0	0	0	0	0	0	0	0

Bit7~Bit0      TH3<7:0>: Timer 3 high bit data register (also as timer high bit).

### 11.2.4 Timer4 Data Register Low Bit TL4

0xE2	Bit7	Bit6	Bit5	Bit4	Bit3	Bit2	Bit1	Bit0
TL4	TL47	TL46	TL45	TL44	TL43	TL42	TL41	TL40
R/W	R/W	R/W	R/W	R/W	R/W	R/W	R/W	R/W
Reset Value	0	0	0	0	0	0	0	0

Bit7~Bit0      TL4<7:0>: Timer 4 low bit data register (also as timer low bit).

### 11.2.5 Timer4 Data Register High Bit TH4

0xE3	Bit7	Bit6	Bit5	Bit4	Bit3	Bit2	Bit1	Bit0
TH4	TH47	TH46	TH45	TH44	TH43	TH42	TH41	TH40
R/W	R/W	R/W	R/W	R/W	R/W	R/W	R/W	R/W
Reset Value	0	0	0	0	0	0	0	0

Bit7~Bit0      TH4<7:0>: Timer 4 high bit data register (also as timer high bit).

## 11.3 Timer3/4 Interrupt

Timer 3/4 can enable or disable interrupt via the EIE2 registers, and high/low prioritization can also be set via the EIP2 registers, where the relevant bits are described as following:

### 11.3.1 Interrupt Mask Register EIE2

0xAA	Bit7	Bit6	Bit5	Bit4	Bit3	Bit2	Bit1	Bit0
EIE2	SPIIE	I2CIE	WDTIE	ADCIE	PWMIE	--	ET4	ET3
R/W	R/W	R/W	R/W	R/W	R/W	R/W	R/W	R/W
Reset Value	0	0	0	0	0	0	0	0

Bit7	SPIIE: SPI interrupt enable bit; 1= Enable SPI interrupt; 0= Disable SPI interrupt.
Bit6	I2CIE: I <sup>2</sup> C interrupt enable bit; 1= Enable I <sup>2</sup> C interrupt; 0= Disable I <sup>2</sup> C Interrupt.
Bit5	WDTIE: WDT interrupt enable bit; 1= Enable WDT overflow interrupt; 0= Disable WDT overflow interrupt.
Bit4	ADCIE: ADC interrupt enable bit; 1= Enable ADC interrupt; 0= Disable ADC Interrupt.
Bit3	PWMIE: PWM global interrupt enable bit; 1= Enable all PWM interrupt; 0= Disable all PWM interrupt.
Bit2	-- Reserved, must be 0.
Bit1	ET4: Timer4 interrupt enable bit; 1= Enable Timer4 interrupt; 0= DisableTimer4 Interrupt.
Bit0	ET3: Timer3 interrupt enable bit; 1= Enable Timer3 interrupt; 0= DisableTimer3 Interrupt.

### 11.3.2 Interrupt Priority Control Register EIP2

0xBA	Bit7	Bit6	Bit5	Bit4	Bit3	Bit2	Bit1	Bit0
EIP2	PSPI	PI2C	PWDT	PADC	PPWM	--	PT4	PT3
R/W	R/W	R/W	R/W	R/W	R/W	R/W	R/W	R/W
Reset Value	0	0	0	0	0	0	0	0

Bit7	PSPI: SPI interrupt priority control bit; 1= Set to High-level Interrupt; 0= Set to low-level interrupt.
Bit6	PI2C: I2C interrupt priority control bit; 1= Set to High-level Interrupt; 0= Set to low-level interrupt.
Bit5	PWDT: WDT interrupt priority control bit; 1= Set to High-level Interrupt; 0= Set to low-level interrupt.



- Bit4      PADC: ADC interrupt priority control bit;  
           1= Set to High-level Interrupt;  
           0= Set to low-level interrupt.
- Bit3      PPWM: PWM interrupt priority control bit  
           1= Set to High-level Interrupt;  
           0= Set to low-level interrupt.
- Bit2      -- Reserved, must be 0.
- Bit1      PT4: TIMER4 interrupt priority control bit;  
           1= Set to High-level Interrupt;  
           0= Set to low-level interrupt.
- Bit0      PT3: TIMER3 interrupt priority control bit;  
           1= Set to High-level Interrupt;  
           0= Set to low-level interrupt.

### 11.3.3 Peripheral Interrupt Flag Bit Register EIF2

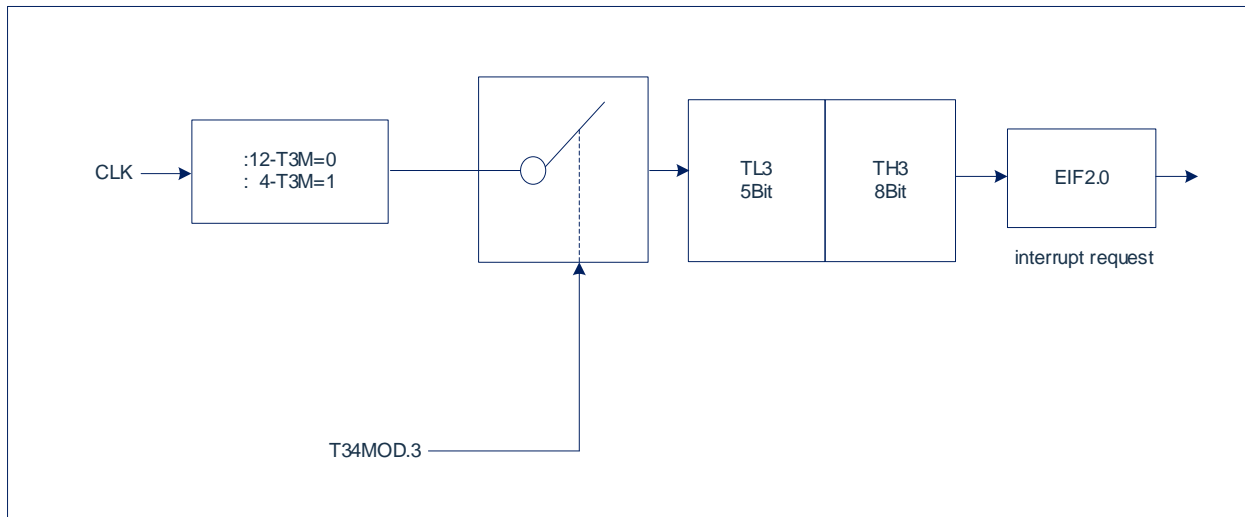
0xB2	Bit7	Bit6	Bit5	Bit4	Bit3	Bit2	Bit1	Bit0
EIF2	SPIIF	I2CIF	--	ADCIF	PWMIF	--	TF4	TF3
R/W	R	R	--	R/W	R	--	R/W	R/W
Reset Value	0	0	0	0	0	0	0	0

- Bit7      SPIIF: SPI global interrupt indicator bit, read-only;  
           1= SPI generates an interrupt, (this bit is automatically cleared after the specific interrupt flag is cleared);  
           0= The SPI did not produce an interrupt.
- Bit6      I2CIF: I2C global interrupt indicator bit, read-only;  
           1= I<sup>2</sup>C produces an interrupt, (after clearing the specific interrupt flag, this bit is automatically cleared);  
           0= I<sup>2</sup>C did not produce an interrupt.
- Bit5      -- Reserved, must be 0.
- Bit4      ADCIF: ADC interrupt flag bit;  
           1= ADC conversion is completed, and software zeroing is required;  
           0= The ADC conversion was not completed.
- Bit3      PWMIF: PWM global interrupt indicator bit, read-only;  
           1= PWM generates an interrupt, (after the specific interrupt flag is cleared, this bit is automatically cleared);  
           0= The PWM did not produce an interrupt.
- Bit2      -- Reserved, must be 0.
- Bit1      TF4: Timer4 timer overflow interrupt flag bit;  
           1= Timer4 timer overflow, the hardware is automatically cleared when entering the interrupt service program, and the software can also be cleared;  
           0= The Timer4 timer has no overflow.
- Bit0      TF3: Timer3 timer overflow interrupt flag bit;  
           1= Timer3 timer overflow, when entering the interrupt service program, the hardware is automatically cleared, and the software can also be cleared;  
           0= The Timer3 timer has no overflow.

## 11.4 Timer3 Working Mode

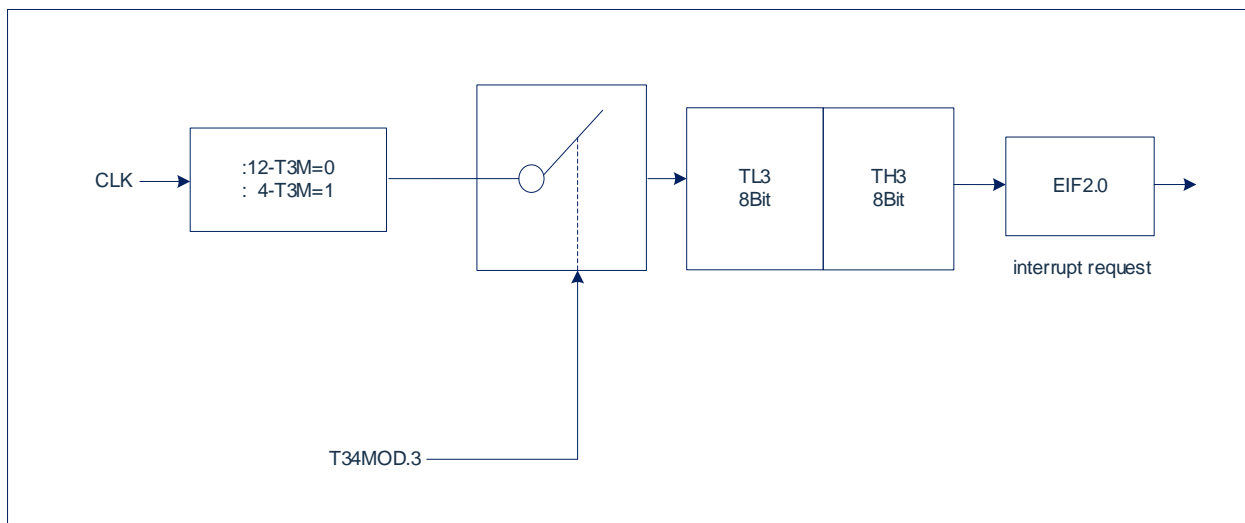
### 11.4.1 T3 - Mode 0 (13-bit Timing Mode)

In this mode, timer 3 is a 13-bit register. When all the bits of the timer are flipped from 1 to 0, the timer 3 interrupt flag TF3 is set to 1. The 13-bit register consists of TH3 and TL3 low 5 bits. TL3 high 3 bits should be ignored. The block diagram of Timer3 mode 0 is shown in the following figure:



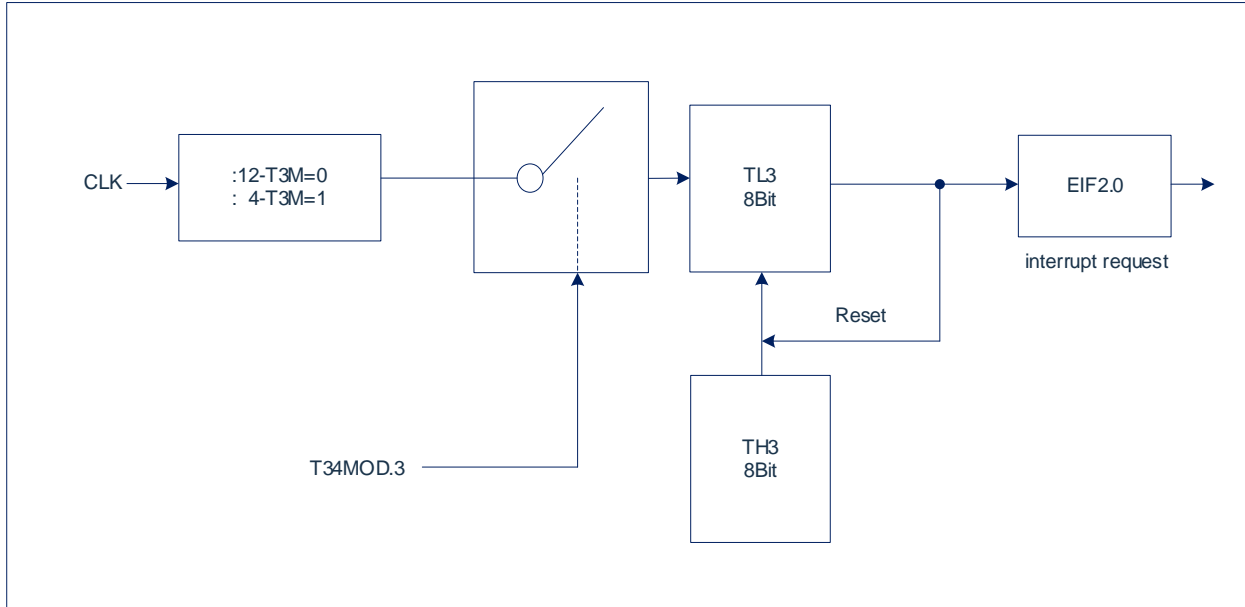
### 11.4.2 T3 - Mode 1 (16-bit Timing Mode)

Mode 1 is the same as mode 0, except that timer 3 registers 16 bits are all running in mode 1. The block diagram of Timer3 mode 1 is shown in the following figure:



### 11.4.3 T3 - Mode 2 (8-bit Auto Reload Timing Mode)

The timer 3 register in mode 2 is an 8-bit timer (TL3) with auto reload mode, as shown in the figure below. The overflow from TL3 not only puts TF3 at 1, but also reloads the contents of TH3 from software to TL3. The value of TH3 remains unchanged during reloading. The block diagram of Timer3 mode 2 is shown in the following figure:



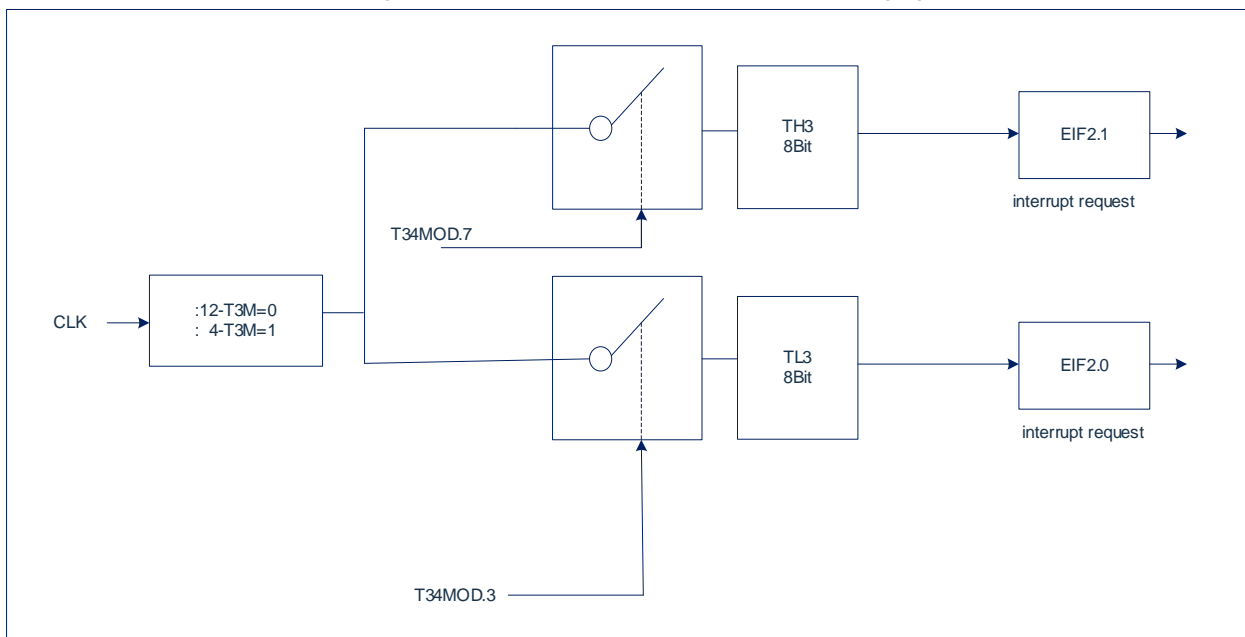
### 11.4.4 T3 - Mode 3 (Two Separate 8-bit Timers)

Timer 3 in mode 3 sets TL3 and TH3 to two independent timers. The logic of timer 3 mode 3 is shown in the following figure.

TL3 operates as an 8-bit timer and uses the control bits of timer 3, such as TR3, and TF3.

TH3 operates as an 8-bit timer and uses the TR4 and TF4 flags of Timer 4 and controls Timer 4 interrupt.

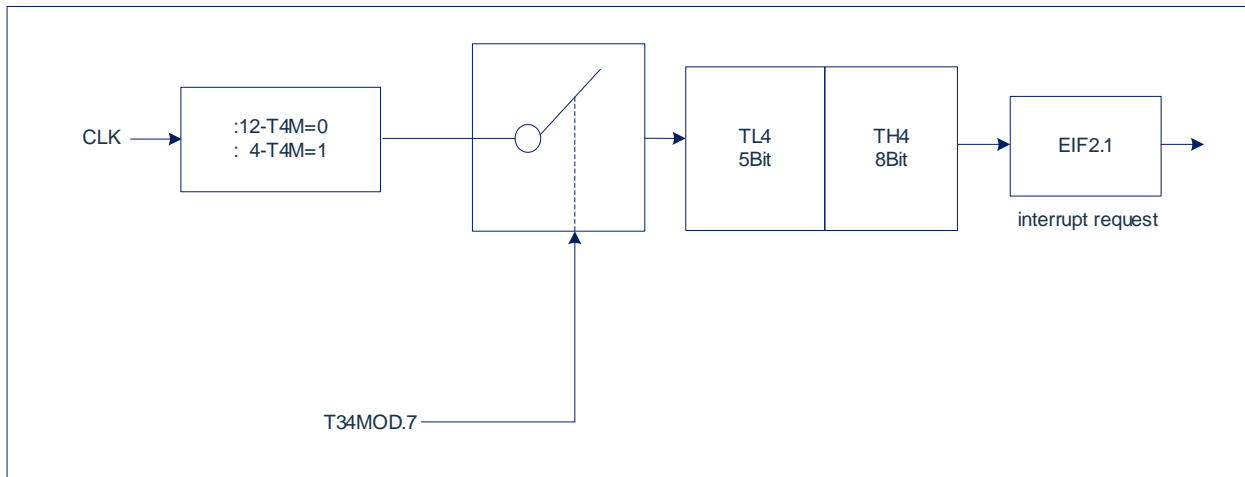
Mode 3 can be used when two 8-bit timers are required. When Timer 3 is in Mode 3, Timer 4 can turn it off by switching to its own Mode 3, or it can still be used as a baud rate generator by the serial channel, or in any application that does not require a timer 4 interrupt. The block diagram of Timer3 mode 3 is shown in the following figure:



## 11.5 Timer4 Working Mode

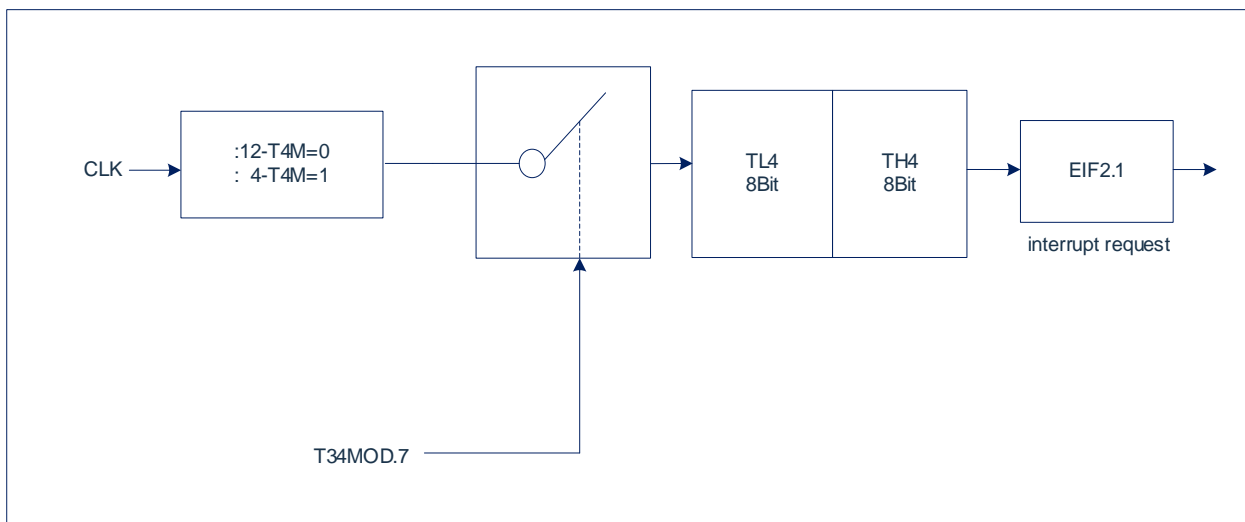
### 11.5.1 T4 - Mode 0 (13-bit Timing Mode)

In this mode, timer 4 is a 13-bit register. When all the bits of the timer are flipped from 1 to 0, the timer 4 interrupt flag TF4 is set to 1. The 13-bit register consists of TH4 8 bits and TL4 low 5 bits. TL4 high three bits should be ignored. The block diagram of Timer4 mode 0 is shown in the following figure:



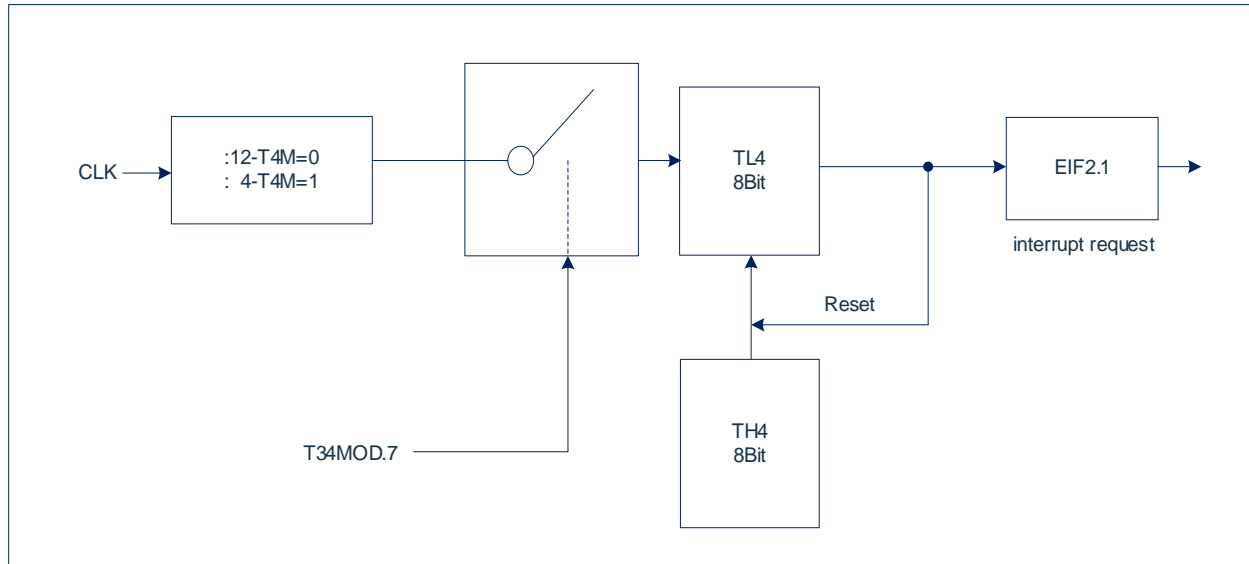
### 11.5.2 T4 - Mode 1 (16-bit Timing Mode)

Mode 1 is the same as Mode 0, except that the timer 4 registers 16 bits are all running in mode 1. The block diagram of Timer4 mode 1 is shown in the following figure:



### 11.5.3 T4- Mode 2 (8-bit Auto Reload Timing Mode)

The timer 4 register in mode 2 is an 8-bit timer (TL4) with an auto-reload mode, as shown in the figure below. The overflow from TL4 not only makes TF4 1, but also reloads the contents of TH4 from software to TL4. The value of TH4 remains unchanged during reloading. The block diagram of Timer4 mode 2 is shown in the following figure:



### 11.5.4 T4 - Mode 3 (Stop Count)

Timer 4 in mode 3 stops counting with the same effect as setting TR4=0.

## 12. LSE Timer(LSE\_Timer)

### 12.1 Overview

The LSE timer is a clock source from an external low-speed clock LSE, a 16-bit up-counting timer. When using the LSE timer function, you should first set the LSE module to enable, wait for the LSE clock to stabilize (about 1.5s), and then set the LSE count enable. The counter adds 1 to the rising edge of the LSE clock, and when the count value is equal to the timing value, the interrupt flag LSECON[0] is set to 1, and the counter starts counting from 0 again. The timing value is set by registers {LSECRH[7:0], LSECRL[7:0]}.

If the LSE timing function is configured before hibernation, the LSE oscillator and LSE timer can continue to operate without being affected while the chip is asleep. If the LSE timed wake function is set before sleep, the system will wake up when the count value is equal to the timed value.

### 12.2 Related Registers

#### 12.2.1 LSE Timer Data Register Low 8 Bit LSECRL

F694H	Bit7	Bit6	Bit5	Bit4	Bit3	Bit2	Bit1	Bit0
LSECRL	LSED7	LSED6	LSED5	LSED4	LSED3	LSED2	LSED1	LSED0
R/W	R/W	R/W	R/W	R/W	R/W	R/W	R/W	R/W
Reset Value	1	1	1	1	1	1	1	1

Bit7~Bit0      LSED<7:0>: LSE timing/wake-up time data is 8 bits lower.

#### 12.2.2 LSE Timer Data Registers are 8 Bits High LSECRH

F695H	Bit7	Bit6	Bit5	Bit4	Bit3	Bit2	Bit1	Bit0
LSECRH	LSED15	LSED14	LSED13	LSED12	LSED11	LSED10	LSED9	LSED8
R/W	R/W	R/W	R/W	R/W	R/W	R/W	R/W	R/W
Reset Value	1	1	1	1	1	1	1	1

Bit7~Bit0      LSED<15:8>: LSE timing/wake-up time data is 8 bits higher.

### 12.2.3 LSE Timer Control Register LSECON

F696H	Bit7	Bit6	Bit5	Bit4	Bit3	Bit2	Bit1	Bit0
LSECON	LSEEN	LSEWUEN	LSECNTEN	LSESTA	LSEIE	--	--	LSEIF
R/W	R/W	R/W	R/W	R/W	R/W	R/W	R/W	R/W
Reset Value	0	0	0	0	0	0	0	0

- Bit7            LSEEN: LSE module enable control;  
                   1= Enable;  
                   0= Disable.
- Bit6            LSEWUEN: LSE timer wake-up enable control;  
                   1= Enable;  
                   0= Disable.
- Bit5            LSECNTEN: LSE as timer count enable control;  
                   1= Enable;  
                   0= Disable.
- Bit4            LSESTA: LSE steady-state bit, read-only;  
                   1= LSE stability;  
                   0= The LSE is not stable.
- Bit3            LSEIE: LSE as timer interrupt enable control;  
                   1= Enable;  
                   0= Disable.
- Bit2~Bit1        -- Reserved, must be 0.
- Bit0            LSEIF: LSE as timer interrupt flag bit (software clear 0);  
                   1= An interrupt is generated.  
                   0= No interrupt were generated or the breaks were cleared to zero out.

## 12.3 Interrupt With Sleep Wake-up

The LSE timer can enable or disable interrupt via LSECON registers, and set high/low priority via the EIP1 register, where the relevant bits are described as following.

0xB9	Bit7	Bit6	Bit5	Bit4	Bit3	Bit2	Bit1	Bit0
EIP1	PACMP	PLSE	PLVD	--	PP3	PP2	PP1	PP0
R/W	R/W	R/W	R/W	R/W	R/W	R/W	R/W	R/W
Reset Value	0	0	0	0	0	0	0	0

Bit7	PACMP:	Analog comparator interrupt priority control bit; 1= Set to High-level Interrupt; 0= Set to low-level interrupt.
Bit6	PLSE	Low-speed crystal oscillator interrupt priority control bit 1= Set to High-level Interrupt; 0= Set to low-level interrupt.
Bit5	PLVD	LVD voltage monitoring interrupt priority control bit 1= Set to High-level Interrupt; 0= Set to low-level interrupt.
Bit4	--	Reserved, must be 0.
Bit3	PP3:	P3 port interrupt priority control bit; 1= Set to High-level Interrupt; 0= Set to low-level interrupt.
Bit2	PP2:	P2 port interrupt priority control bit; 1= Set to High-level Interrupt; 0= Set to low-level interrupt.
Bit1	PP1:	P1 port interrupt priority control bit; 1= Set to High-level Interrupt; 0= Set to low-level interrupt.
Bit0	PP0:	P0 port interrupt priority control bit; 1= Set to High-level Interrupt; 0= Set to low-level interrupt.

When the count value of the LSE timer is equal to the timer value, the off flag bit LSEIF in the timer is set to 1. If the global interrupt is enabled (EA=1) and the LSE timer interrupt is enabled (LSEIE=1), the CPU executes the interrupt service program.

Using LSE timed interrupt wake-up sleep mode, you need to enable LSEEN, LSECNT, LSEWUEN before hibernation, and set the post-hibernation state to wake up time. If the global interrupt enable and LSE interrupt enable are turned on before hibernation, after hibernation wakes up, the interrupt service program is executed first, and the next instruction of the hibernation instruction is executed after the interrupt returns. { LSECRH[7:0], LSECRL[7:0]}



## 12.4 Feature description

To use the LSE timer function, you need to set LSEEN=1 to enable the LSE timer function module, and then wait for the LSE clock steady state bit LSESTA=1, then configure the LSE timing value {LSECRH[7:0], LSECRL[7:0]}, and finally set LSECNT=1, enable LSE count, and turn on the LSE count function. The LSE timer counts from 0, interrupt flag position 1 when the count value is equal to the timing value, and update the timing value to the value in the timer data register (i.e. the LSE timing value is the last time {LSECRH[7:0], LSECRL[7:0]} value is written before the LSE timing value is equal to the count value and the timing value). The minimum timer value is 1, if the timer value is set to 0, the timer defaults to 1 as the timer value. The LSE timer timing time calculation formula is as follows:

$$\text{LSE timing time} = \frac{1}{32.768} \times (\{ \text{LSECRH}[7:0], \text{LSECRL}[7:0] \} + 1) \text{ ms}$$

LSEEN, LSECNTEN, LSESTA any bit of the LSE timer is 0, and the count value of the LSE will be cleared.

## 13. Wake-up Timer (WUT)

### 13.1 Overview

Wake Up Timer is a clock source from the internal low-speed clock LSI, a 12-bit, up-count timer for sleep wake-ups that can be used to time-wake systems in sleep mode. Configure the timed wake-up time before the system goes to sleep and enable the timed wake-up function. When the chip enters sleep mode, THE WUT starts counting, and when the count value is equal to the set value, the chip enters the sleep wake-up wait state.

### 13.2 Related Registers

#### 13.2.1 WUTCRH Register

0xBD	Bit7	Bit6	Bit5	Bit4	Bit3	Bit2	Bit1	Bit0
WUTCRH	WUTEN	--	WUTPS1	WUTPS0	WUTD11	WUTD10	WUTD9	WUTD8
R/W	R/W	R	R/W	R/W	R/W	R/W	R/W	R/W
Reset Value	0	0	0	0	0	0	0	0

Bit7                    WUTEN: Timed wake-up function enable bit;  
                           1= The timed wake-up function is turned on;  
                           0= The timed wake-up function is turned off.

Bit6                    -- Reservation, must be 0;  
 Bit5~Bit4            WUTPS<1:0>: Timed wake-up counter clock divider;  
                           00= F/1;  
                           01= F/8;  
                           10= F/32;  
                           11= F/256.

Bit3~Bit0            WUTD<11:8>: The timed wake-up time data is 4 bits higher.

#### 13.2.2 WUTCRL register

0xBC	Bit7	Bit6	Bit5	Bit4	Bit3	Bit2	Bit1	Bit0
WUTCRL	WUTD7	WUTD6	WUTD5	WUTD4	WUTD3	WUTD2	WUTD1	WUTD0
R/W	R/W	R/W	R/W	R/W	R/W	R/W	R/W	R/W
Reset Value	0	0	0	0	0	0	0	0

Bit7~Bit0            WUTD<7:0>: The timed wake-up time data is 8 bits lower.

## 13.3 Feature description

The internal wake-up timer works on the principle that after the system enters sleep mode, the CPU stops working with all peripheral circuitry, and the internal low-power oscillator LSI begins to operate, and its oscillation clock is 125KHz ( $T_{LSI} \approx 8\mu s$ ).

Provides a clock for the WUT counter.

There are two internal wake-up timer registers: WUTCRH and WUTRCL.

Bit7 of the WUTCRH register is an internal timed wake-up enable bit:

- WUTEN=1: Turn on the timed wake-up function;
- WUTEN=0: Turns off timed wake-up.

{WUTCRH[3:0] and WUTRCL[7:0]} form a 12-bit timed wake-up data register, after entering sleep mode, the WUT counter starts to time, when the value of the WUT counter is equal to the value of the timed wake-up data register, start the system oscillator, enter the wake-up waiting state.

Timed wake-up time:  $T=(WUTD[11:0]+1) \times WUTPS \times T_{LSI}$

## 14. Baud Rate Timer (BRT)

### 14.1 Overview

The chip has a 16-bit baud rate timer BRT, which mainly provides a clock for the UART module.

### 14.2 Related Registers

#### 14.2.1 BRT Module Control Register BRTCON

F5C0H	Bit7	Bit6	Bit5	Bit4	Bit3	Bit2	Bit1	Bit0
BRTCON	BRTEN	--	--	--	--	BRTCKDIV2	BRTCKDIV1	BRTCKDIV0
R/W	R/W	R/W	R/W	R/W	R/W	R/W	R/W	R/W
Reset Value	0	0	0	0	0	0	0	0

Bit7	BRTEN: BRT timer enable bit;
	1= Enable;
	0= Disable.
Bit6~Bit3	-- Reserved, both 0;
Bit2~Bit0	BRTCKDIV<2:0> BRT timer prescale selection bit;
	000= Fsys/1;
	001= Fsys/2;
	010= Fsys/4;
	011= Fsys/8;
	100= Fsys/16;
	101= Fsys/32;
	110= Fsys/64;
	111= Fsys/128.

#### 14.2.2 The BRT Timer Data is Loaded With a Low 8-bit Register BRTDL

F5C1H	Bit7	Bit6	Bit5	Bit4	Bit3	Bit2	Bit1	Bit0
BRTDL	BRTDL7	BRTDL6	BRTDL5	BRTDL4	BRTDL3	BRTDL2	BRTDL1	BRTDL0
R/W	R/W	R/W	R/W	R/W	R/W	R/W	R/W	R/W
Reset Value	0	0	0	0	0	0	0	0

Bit7~Bit0 BRTDL<7:0>: BRT timer load value 8 bits lower;

#### 14.2.3 The BRT Timer Data is Loaded With a High 8-bit Register BRTDH

F5C2H	Bit7	Bit6	Bit5	Bit4	Bit3	Bit2	Bit1	Bit0
BRTDH	BRTDH7	BRTDH6	BRTDH5	BRTDH4	BRTDH3	BRTDH2	BRTDH1	BRTDH0
R/W	R/W	R/W	R/W	R/W	R/W	R/W	R/W	R/W
Reset Value	0	0	0	0	0	0	0	0

Bit7~Bit0 BRTDH<7:0>: BRT timer load value 8 bits higher;

## 14.3 Feature Description

The BRT has a 16-bit increment counter, the clock is derived from the pre-division circuit, the pre-division clock is determined by the timer pre-division select bit BRTCKDIV, and the initial value of the counter is loaded by {BRTDH, BRTDL}.

When the timer enable bit BRTEN=1 is turned on, the counter starts working. When the value of the 16-bit counter is equal to FFFFH, the BRT counter overflows. After the overflow, the initial value of the count is automatically loaded into the counter and then the count is re-counted.

The overflow signal of the BRT counter is specially provided to the UART module as a clock source for the baud rate, and there is no interrupt when overflowing, and there is no corresponding interrupt structure. BRT in debug mode, its clock does not stop, if the UART module has begun to send or receive data, even if the chip into a suspended state, the UART will complete the entire process of sending or receiving.

BRT timer overflow rate:

$$BRT_{ov} = \frac{F_{sys}}{(65536 - \{BRTDH, BRTDL\}) \times 2^{BRTCKDIV}}$$

## 15. Buzzer Driver (BUZZER)

### 15.1 Overview

The buzzer drive module consists of an 8-bit counter, a clock driver, and a control register. The buzzer drives a 50% duty-square wave with a frequency set by registers BUZCON and BUZDIV, and its frequency output covers a wide range.

### 15.2 Related Registers

#### 15.2.1 BUZZER Control Register BUZCON

0xBF	Bit7	Bit6	Bit5	Bit4	Bit3	Bit2	Bit1	Bit0
BUZCON	BUSEN	--	--	--	--	--	BUZCKS1	BUZCKS0
R/W	R/W	R	R	R	R	R	R/W	R/W
Reset Value	0	0	0	0	0	0	0	0

Bit7	BUSEN: BUZZER enable bit; 1= Enable; 0= Disable.
Bit6~Bit2	-- Reserved, must be 0.
Bit1~Bit0	BUZCKS<1:0>: BUZZER divide-by-side ratio select bits; 00= Fsys/8; 01= Fsys/16; 10= Fsys/32; 11= Fsys/64.

#### 15.2.2 BUZZER Frequency Control Register BUZDIV

0xBE	Bit7	Bit6	Bit5	Bit4	Bit3	Bit2	Bit1	Bit0
BUZDIV	BUZDIV7	BUZDIV6	BUZDIV5	BUZDIV4	BUZDIV3	BUZDIV2	BUZDIV1	BUZDIV0
R/W	R/W	R/W	R/W	R/W	R/W	R/W	R/W	R/W
Reset Value	0	0	0	0	0	0	0	0

Bit7~Bit0	BUZDIV<7:0>: BUZZER frequency select bit; 0x00= No square wave output ; Other = $F_{buz} = F_{sys} / (2 * CLKDIV * BUZCKS)$ .
-----------	---

Note: It is not recommended to modify BUZDIV during BUZEN=1

## 15.3 Feature Description

When using a buzzer, you need to configure the corresponding port as a buzzer-driven output. For example, configure the P24 as a buzzer drive output, as follows:

P24CFG = 0x18; The P24 is configured as a buzzer-driven output

By configuring the related Registers of the buzzer drive module, it is possible to set the different frequencies at which the buzzer drive outputs. For example:

- 1) Set Fsys= 8MHz, BUZCKS < 1:0>=01, and BUZDIV=125

The buzzer drive output frequency is:  $F_{buz} = 8\text{MHz} / (2 * 125) / 16 = 2\text{KHz}$

- 2) Set Fsys=16MHz, BUZCKS < 1:0>=11, and BUZDIV=125

The buzzer drive output frequency is:  $F_{buz} = 16\text{MHz} / (2 * 125) / 64 = 1\text{KHz}$

- 3) Set Fsys=24MHz, BUZCKS < 1:0>=11, and BUZDIV=94

The buzzer drive output frequency is:  $F_{buz} = 24\text{MHz} / (2 * 94) / 64 = 2\text{KHz}$

Different system clock frequencies and buzzer-driven clock divide ratios can be selected to obtain different output frequencies. The buzzer drive output frequency is shown in the following table:

BUZCKS<1:0>	Fbuz@Fsys=8MHz	Fbuz@Fsys=16MHz	Fbuz@Fsys=24MHz	Fbuz@Fsys=48MHz
00	2KHz~500KHz	4KHz~1MHz	6KHz~1.5MHz	12KHz~3MHz
01	1KHz~250KHz	2KHz~500KHz	3KHz~750KHz	6KHz~1.5MHz
10	0.5KHz~125KHz	1KHz~250KHz	1.5KHz~375KHz	3KHz~750KHz
11	0.25KHz~62.5KHz	0.5KHz~125KHz	0.75KHz~187.5KHz	1.5KHz~375KHz

## 16. Enhanced PWM Module

### 16.1 Overview

#### 16.1.1 Function

The Enhanced PWM Module supports six PWM generators and can be configured as 6 independent PWM outputs (PG0-PG5) or as 3 pairs of complementary PWMs (PG0-PG1, PG2-PG3, PG4-PG5) with programmable dead-zone generators.

Each pair of PWMs shares an 8-bit prescaler with 6 clock dividers that provide 5 divider coefficients (1, 1/2, 1/4, 1/8, 1/16). Each PWM output is controlled by a separate 16-bit counter, and a 16-bit comparator is used to adjust the duty cycle. The 6-channel PWM generator provides 25 interrupt flags, and the cycle or duty cycle of the relevant PWM channel matches the counter and will produce interrupt flags, each with a separate enable bit.

Each PWM can be configured as a single mode (which generates a PWM signal cycle) or a cyclic mode (continuous output of the PWM waveform).

#### 16.1.2 Characteristic

The Enhanced PWM Module has the following features:

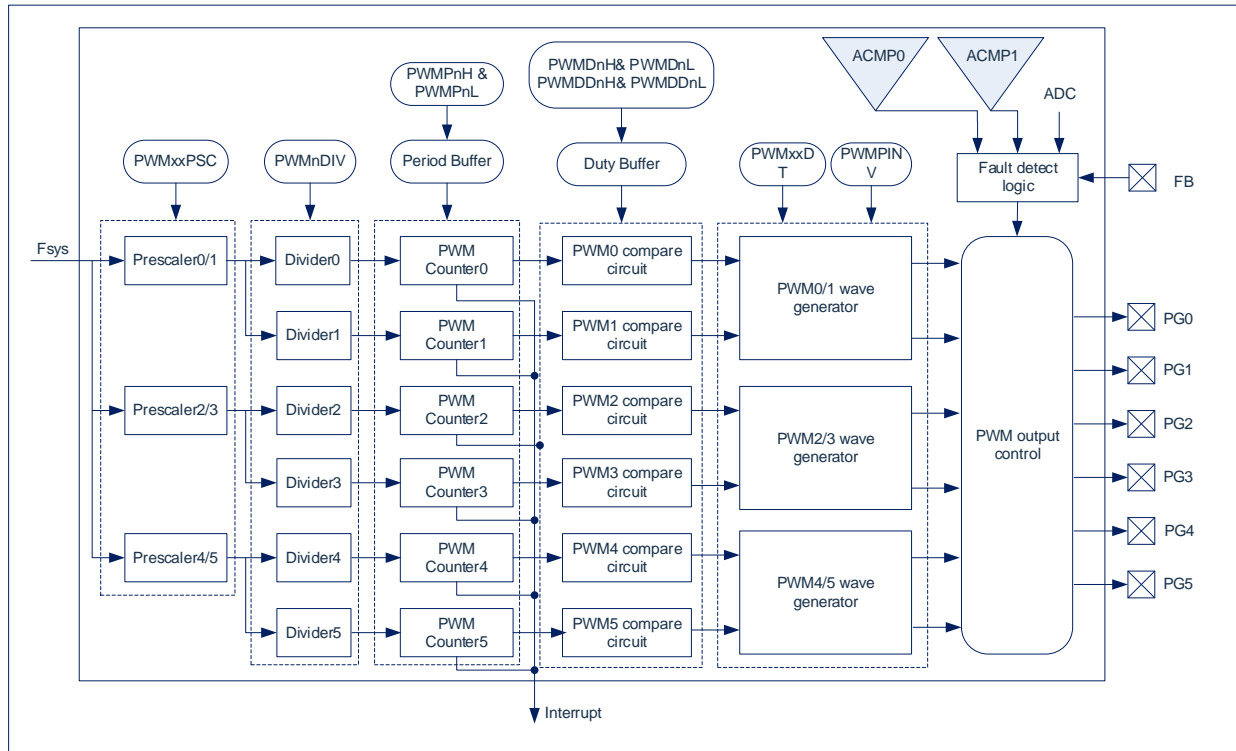
- ◆ 6 independent 16-bit PWM control modes.
  - 6 independent outputs: PG0, PG1, PG2, PG3, PG4, PG5;
  - 3 sets of complementary PWM pair outputs: (PG0-PG1), (PG2-PG3), (PG4-PG5), programmable dead zone can be inserted;
  - 3 sets of synchronous PWM pair outputs: (PG0-PG1), (PG2-PG3), (PG4-PG5), each set of PWM pair pin synchronization.
- ◆ Support group control, PG0, PG2, PG4 output synchronization, PG1, PG3, PG5 output synchronization.
- ◆ Single-shot mode or auto-load mode.
- ◆ Support edge alignment, center alignment 2 modes.
- ◆ Center alignment mode supports symmetric and asymmetric counts.
- ◆ Programmable dead-zone generators are supported in complementary PWMs.
- ◆ Each PWM has independent polarity control.
- ◆ Hardware brake protection (external FB trigger, support software trigger).
- ◆ The ADC comparison event triggers hardware brake protection.
- ◆ The PWM edge or period can trigger the initiation of the AD conversion.



## 16.2 Disposition

### 16.2.1 Functional Block Diagram

The enhanced PWM functional block diagram is shown in the following figure:



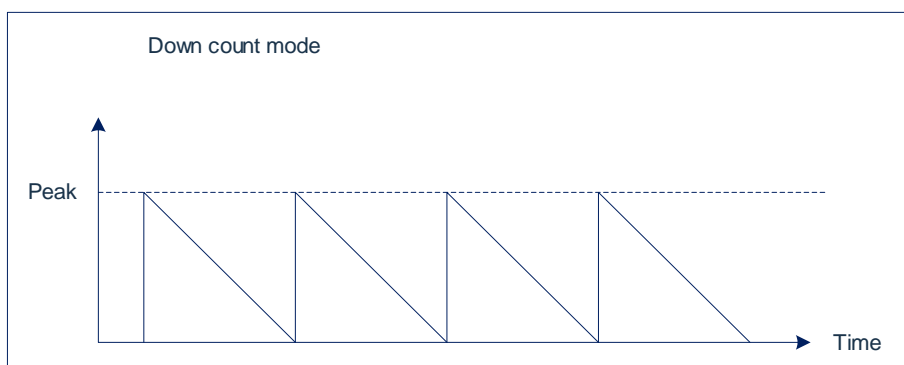
### 16.2.2 Description of Each Functional Module

The enhanced PWM module consists of a PWM counter module, an output comparison unit, a waveform generator, a fault detection, and an output controller.

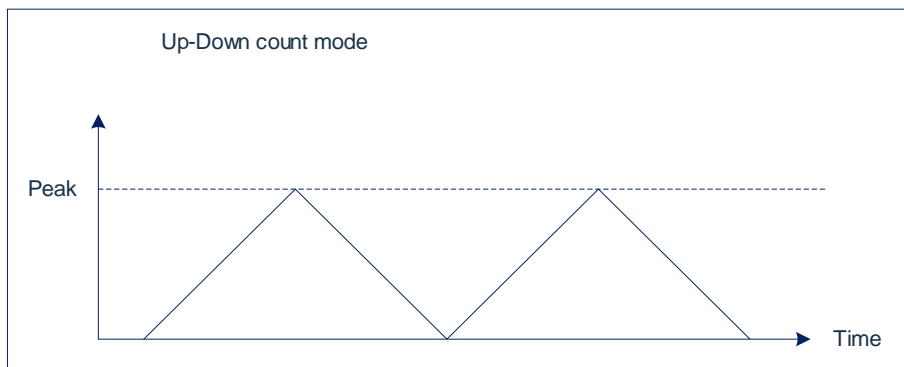
#### PWM Counter:

System clock input enhanced PWM module, through the prescaler and clock divider to divide the system clock to obtain 6 PWM counter counting clock; A 16-bit control register consisting of a cycle register (PWMPnH, PWMPnL) is used to set the counting period of six PWM counters. In order to prevent arbitrary modification of the PWM's period settings during PWM operation, a period buffer is used. If the PWM is set to continuous operation mode (PWMnCNTM=1), the value of the periodic register is automatically loaded into the period buffer at the zero point of each PWM.

PWM counters have two counting modes: Down count mode and UP-Down count mode. The downcount mode is shown in the following figure:



The up and down count modes are shown in the following figure:



#### **OCU:**

The Output Comparison Unit (OCU) consists of duty cycle registers (PWMDnH, PWMDnL) that set the PWM duty cycle for 6 channels. Similarly, to prevent arbitrary modification of the duty cycle setting of the PWM during PWM operation, a buffer register (Duty Buffer) and a PWM counter are used to compare to flip the output level. If the PWM is set to continuous operation mode (PWMnCNTM=1), the value of the duty ratio register is automatically loaded into the Duty Buffer at the zero point of each PWM.

#### **WFG:**

The waveform generator is composed of a dead-zone control unit and an output polarity control unit. For complementary outputs with dead zone, PWM01DT/PWM23DT/PWM45DT are used to set the dead zone of PWM; The output polarity of the PWM is controlled in conjunction with the polarity control register (PWMPINV).

#### **Fault detection (brake function):**

The fault detection module is embedded in an enhanced PWM circuit and configured for input fault detection to protect the system from device damage. Once a valid fault signal input is detected, the output of the PWM is forced to be shut down. In order to adapt to different drive requirements, the shutdown level can be configured via the PWM brake data register: PWMFBKD.

#### **Mask output:**

Mask output is particularly important for special applications such as square wave motor control. PWM Each channel has a separate mask control bit and mask data bit, which controls the register PWMMASKE and the mask data register PWMMASKD setting by mask control.

When the mask output disables PWMnMASKE=0, the PWMn output is a normal PWM waveform;

When the mask output enables PWMnMASKE=1, PWMn outputs the data from the mask register PWMnMASKD.

#### **Output Controller:**

Output controller for controlling the output state of the PWM. The PWM output enable control register PWMOE is used to set the output enable for each channel. When a fault requires a forced shutdown of the PWM, the MCU can output the corresponding level according to the setting in the brake data register PWMFBKD to adapt to the needs of different peripherals.

### 16.2.3 Description of The Relevant IO Ports

Before using the enhanced PWM module, the relevant port needs to be configured as a PWM channel, and the PWM channel is marked with PG0-PG5 on the pinout diagram, corresponding to PWM channel 0-5. It can be seen that different PWM channels can correspond to the same port, and the same PWM channel can be assigned to different ports, which makes the enhanced PWM function can adapt to different types of packaging and flexible PCB layout requirements.

The allocation of PWM channels is controlled by the corresponding port configuration registers, for example:

P13CFG=0x12; Select P13 to configure as a PG0 channel

P14CFG=0x13; Select P14 to configure as PG1 channel

P15CFG=0x14; Select P15 to configure as a PG2 channel

P16CFG=0x15; Select P16 to configure as a PG3 channel

P17CFG=0x16; Select P17 to configure as a PG4 channel

P22CFG=0x17; Select P22 to configure as a PG5 channel

## 16.3 Enhanced PWM Operation

### 16.3.1 Load-update Mode

There are two counter loading modes: single-shot mode and automatic loading mode. In single-shot mode, period and duty cycle related data are loaded once at the beginning of the counter. In autoloading mode, period and duty cycle related data are automatically loaded at zero within the PWM cycle.

Due to the dual cache structure of PWM, during PWM operation, change the relevant operating registers: PWMnL/PWMnH/PWMDnL/PWMDnH/PWMDnL/ The value of PWMDDnH/, the PWM output waveform does not change immediately, and the values of these registers are loaded into the corresponding cache only at zero point. Such a structure does not immediately change the output waveform of the current PWM cycle after changing the cycle duty cycle data, and the PWM waveform will not change accordingly in the next cycle. That is, any changes in PWM-related data do not affect the current full PWM cycle.

In high-speed applications, it is possible that the load point has arrived, but the operation of writing to the operating register has not yet been completed. At this point, you do not expect some of the running data to have been loaded and another part of the running data to be unloaded. For this high-speed application, the PWM module provides a loading enable bit.

When changing the relevant operating register, the enable bit PWMnLE of the loading register PWMLOADEN needs to be set to 1, and the PWMnLE bit is automatically cleared after the cycle and duty cycle are loaded. That is, the value of the relevant register can be loaded into the actual circuit by reading this bit. If PWMnLE = 0, it means that it has been loaded, which will affect the PWM waveform being output; If PWMnLE=1, it means that the current PWM waveform has not changed, and the value of the register will change before loading at the next load point. If you change the value of the relevant run register again, you also need to reset PWMnLE=1 to 1.

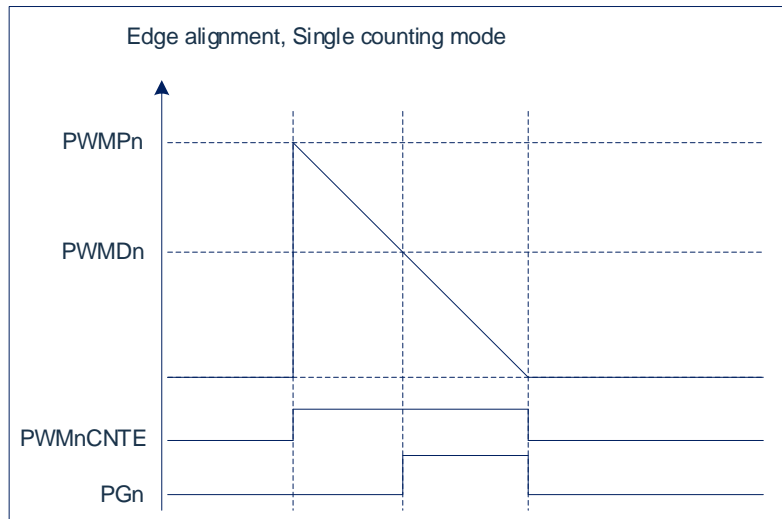
**Note:** When PWMnLE=1, changes to the periodic and duty cycle register contents may cause unpredictable results.

It is recommended to change the period and duty cycle register contents first, then set the load enable bit PWMnLE to 1, and finally wait for the load to complete (PWMnLE=0).

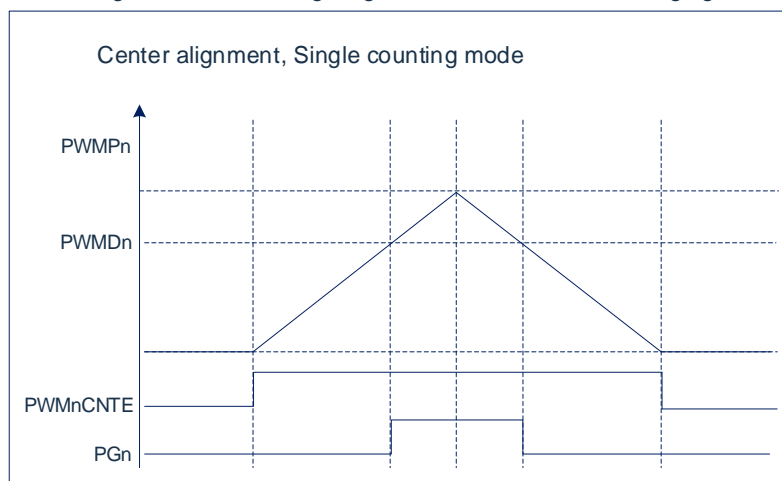
### 16.3.2 Single Count Mode

The single-count mode is a mode in which the PWM counter operates for only one PWM cycle, and then the PWM counter stops running. When the single-count mode is completed, the PWM count enables the control bit hardware to clear 0 ( $PWMnCNTE=0$ ), and if the single-shot mode is turned on again, the PWM count enables the control bit ( $PWMnCNTE=1$ ). The single count mode can be selected via the PWM counter mode control register  $PWMCNTM$ .

Under edge alignment, the single-run mode timing diagram is shown in the following figure:



Under center alignment, the single-run mode timing diagram is shown in the following figure:



### 16.3.3 Edge Alignment Mode

In edge alignment mode, the PWM counter uses a down count: the initial value of the 16-bit PWM counter CNTn is PWMPn, which starts counting down until the count value becomes 0, at which point the MCU automatically loads the value of the periodic register into the CNTn and then starts counting the next PWM cycle.

When the value of CNTn is equal to the value of the duty cycle register PWMDn, the PGN output is high; CNTn continues to count down to 0, at which point PGN will output low (when PWM is selected as an inverting output, the output level is exactly the opposite of the description above).

The relevant parameters for edge alignment are as follows:

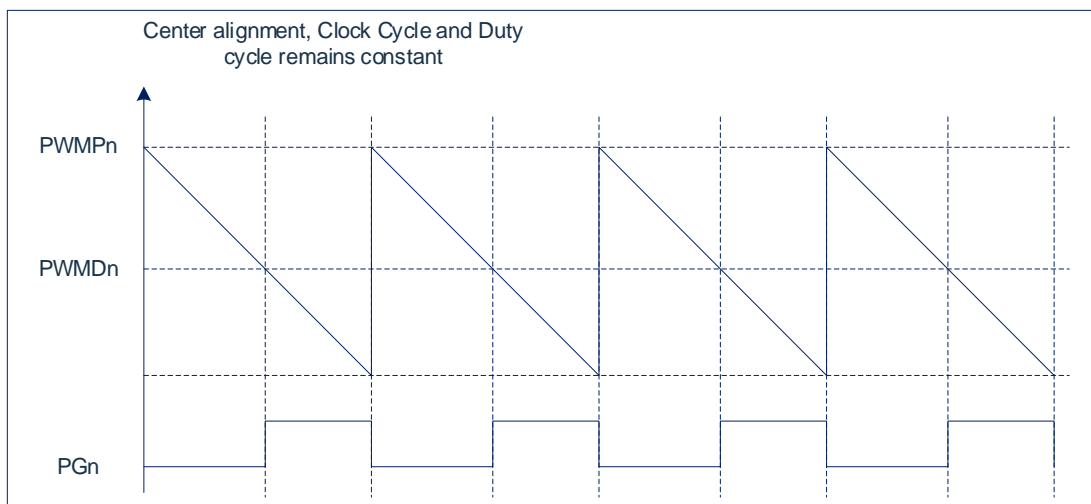
$$\text{High level time} = (\text{PWMDn} + 1) \times T_{\text{pwm}}$$

$$\text{Period} = (\text{PWMPn} + 1) \times T_{\text{pwm}}$$

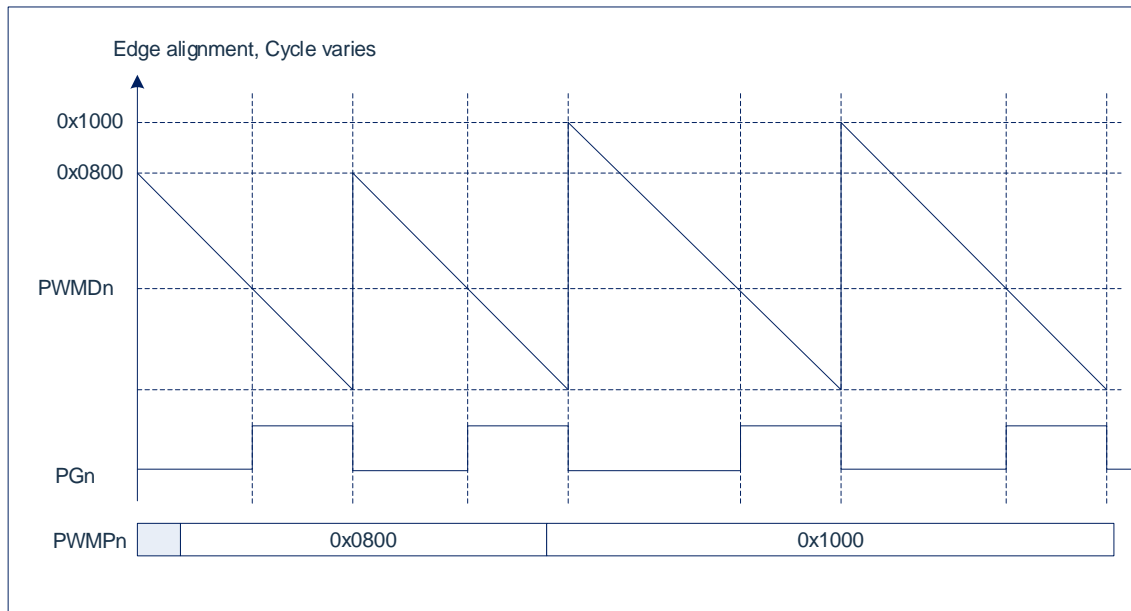
$$\text{Duty ratio} = \frac{\text{PWMDn} + 1}{\text{PWMPn} + 1}$$

When PWMDn=0, the duty cycle is 0%.

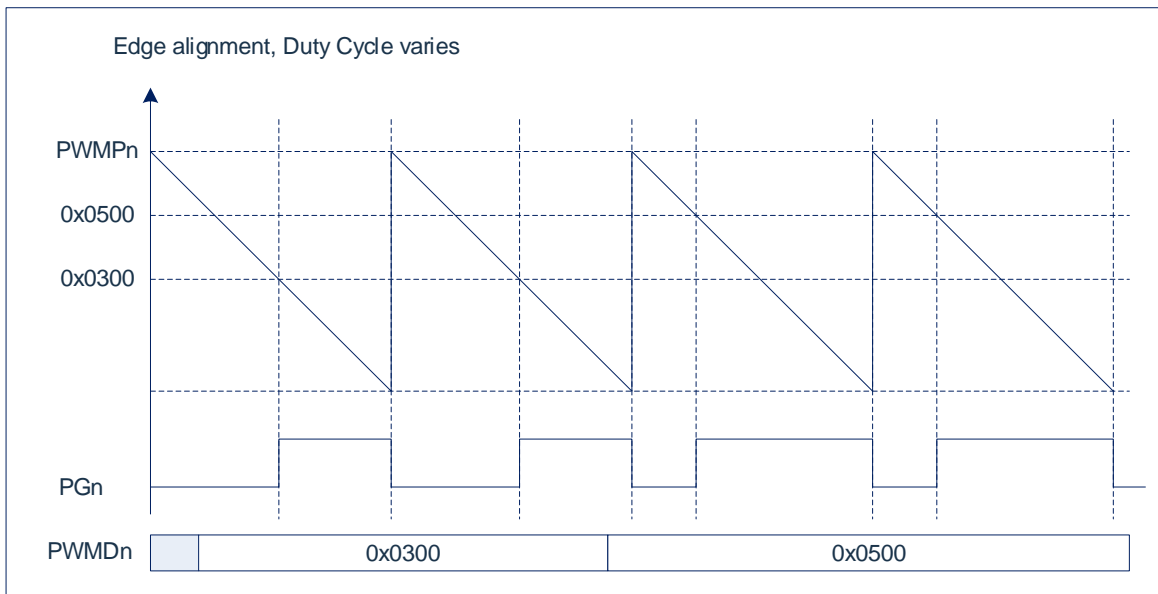
The timing plot with edge alignment, period, and duty cycle unchanged is shown in the following figure:



The edge alignment and periodic change timing plot are shown in the following figure:



The edge alignment and duty cycle change timing diagram are shown in the following figure:



## 16.3.4 Center Alignment Mode

### 16.3.4.1 Symmetrical Count

In the center-aligned symmetric counting mode, the PWM counter adopts the up-down count mode, and the 16-bit PWM counter CNTn starts counting up from 0, and when CNTn = PWMPn, it automatically starts counting down until 0, and the subsequent PWM cycle repeats this counting operation.

At the edge of the upward count, when the value of CNTn is equal to the value of the duty cycle register PWMDn, the level of PGn flips and becomes high; At the down-counting edge, when the value of CNTn is equal to the value of the duty cycle register PWMDn, the output level of PGn flips to a low level (when PWM is selected as the inverting output, the output level is exactly the opposite of the above description).

The relevant parameters under symmetric count are as follows:

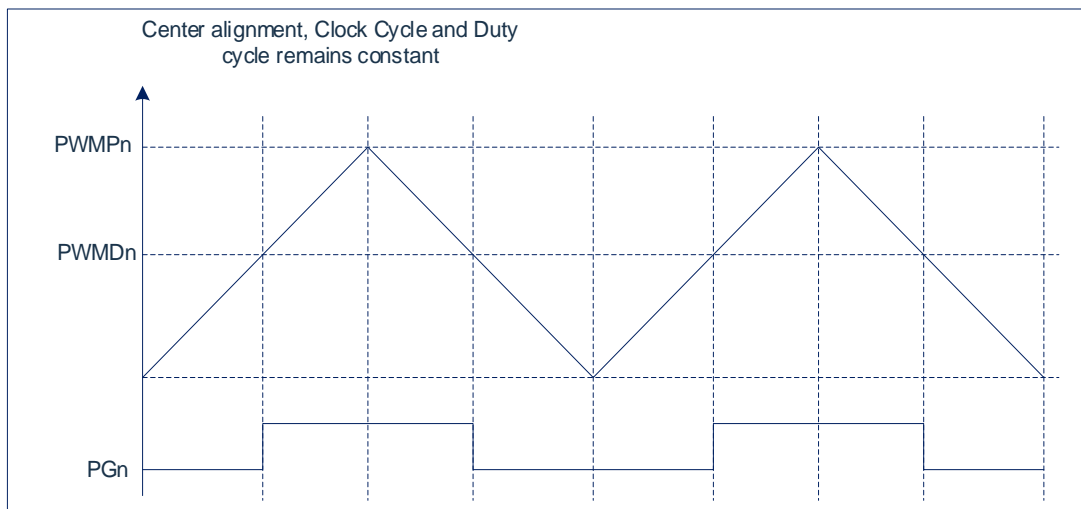
$$\text{High level time} = (\text{PWMPn} \times 2 - \text{PWMDn} \times 2 - 1) \times T_{\text{pwm}}$$

$$\text{Period} = (\text{PWMPn}) \times 2 \times T_{\text{pwm}}$$

$$\text{duty cycle} = \frac{\text{PWMPn} \times 2 - \text{PWMDn} \times 2 - 1}{\text{PWMPn} \times 2}$$

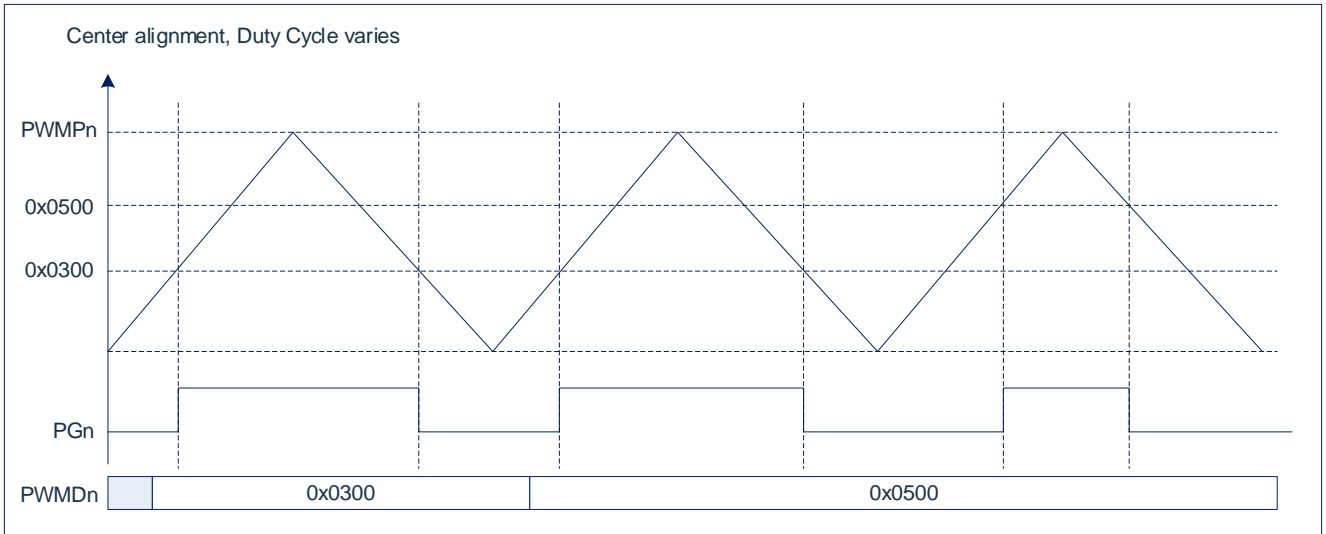
At PWMDn=0, the duty cycle is 100%.

The center-aligned symmetrical count, period, and duty cycle constant timing plot is shown in the following figure:



The timing plot of center-aligned symmetrical counts and duty cycle changes is shown in the following figure:





#### 16.3.4.2 Asymmetric Count

Center-aligned asymmetric PWM mode (Asymmetric) is a very important feature in motor control, and the PWM counter still works in up-down count mode.

In this mode, there are two comparison registers: PWMDn, PWMDDn. The 16-bit PWM counter CNTn starts counting up from 0, when CNTn = PWMDn, the output level of PGn flips from low to high, after which CNTn continues to count up to PWMPn, then CNTn starts counting down, and in the process of counting down when CNTn=PWMDDn, PGn flips to low, and then continues to count down to 0. To enable asymmetric PWM mode, the control bit ASYMEN needs to be placed on 1.

The relevant parameters in asymmetric mode are as follows:

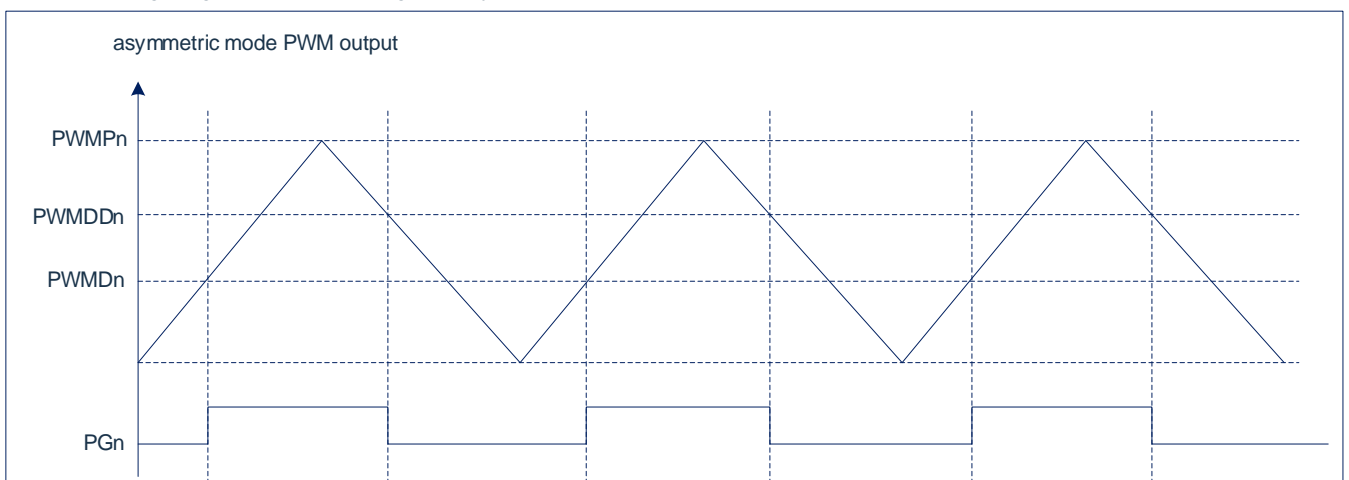
$$\text{High voltage duration} = (\text{PWMPn} \times 2 - \text{PWMDn} - \text{PWMDDn} - 1) \times T_{\text{pwm}}$$

$$\text{Period} = (\text{PWMPn}) \times 2 \times T_{\text{pwm}}$$

$$\text{Duty Cycle Ratio} = \frac{\text{PWMPn} \times 2 - \text{PWMDn} - \text{PWMDDn} - 1}{\text{PWMPn} \times 2}$$

When PWMDn=0 and PWMDDn=0, the duty cycle is 100%.

The timing diagram for center-aligned asymmetric mode is as follows:

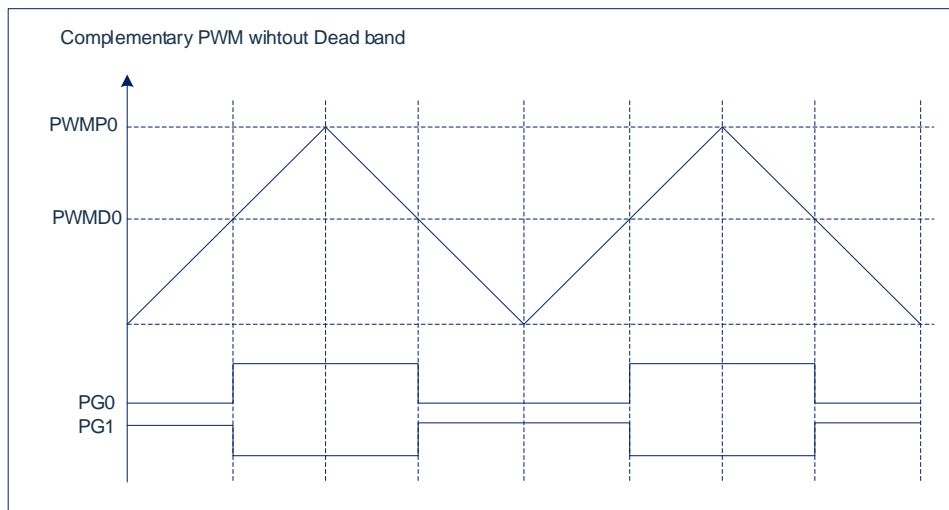


### 16.3.5 Complementary Mode With Dead Zones

In practical motor control applications, the PWM signal used to drive the inverter bridge needs to have a complementary output mode, that is, the drive signal of the upper bridge arm is exactly in reverse with the drive signal of the lower bridge arm.

In the enhanced PWM module, the 6-channel PWM can be set to 3 pairs of complementary signals: PWM0 and PWM1, PWM2 and PWM3, PWM4 and PWM5. The period and duty cycle are determined by the PWM0, PWM2, PWM4 correlation registers, respectively.

The complementary mode timing diagram without dead bands is shown in the following figure:



In motor control applications, the ideal PWM signal is a level reversal at the same time, due to the delay in the opening and shutdown of the MOS tube, which can easily cause the power supply to go straight to ground, thereby damaging the power tube. To prevent this phenomenon, PWM with dead zone is particularly important. In complementary mode, each set of complementary PWM pairs supports inserted dead zone, and the inserted dead zone is as follows:

PWM0/1 Dead Zone:  $(PWM01DT+1) * T_{PWM0}$

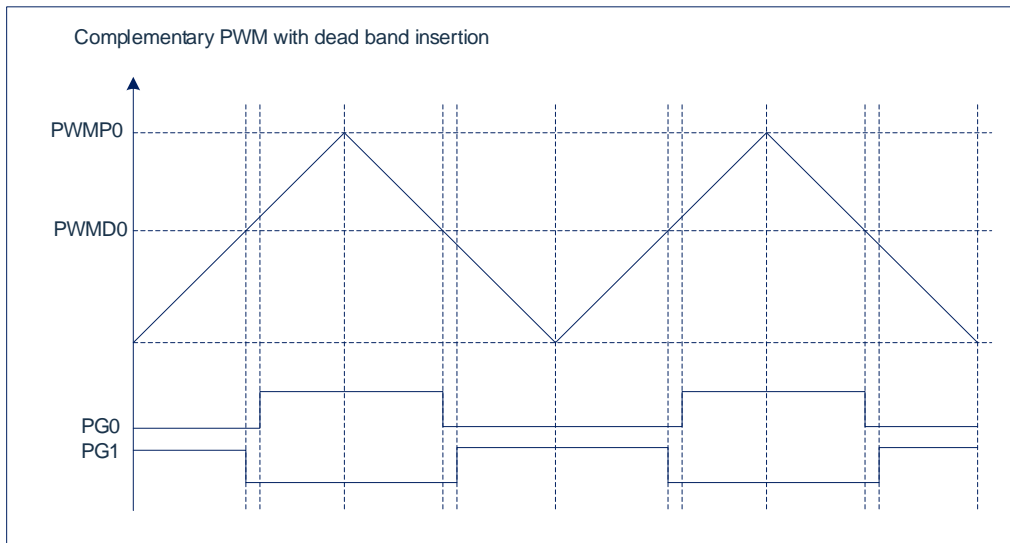
PWM2/3 Dead Zone:  $(PWM23DT+1) * T_{PWM2}$

PWM4/5 Dead Zone:  $(PWM45DT+1) * T_{PWM4}$

$T_{PWM0}$ ,  $T_{PWM2}$ ,  $T_{PWM4}$  are the clock source periods of PWM0, PWM2, and PWM4, respectively.

Note: Both center alignment and edge alignment support complementary modes.

Inserting a dead zone of complementary PWM waveforms is shown in the following figure:



### 16.3.6 Brake Function

There are several sources that can trigger PWM brakes:

- ◆ External trigger port FB.
- ◆ ADC result comparison output.
- ◆ The output of comparator 0.
- ◆ The output of comparator 1.

After the brake is triggered, the brake marker bit PWMFBF is set to 1, the counter enable bit of all channels is cleared to zero, and the PWM outputs the preset brake data.

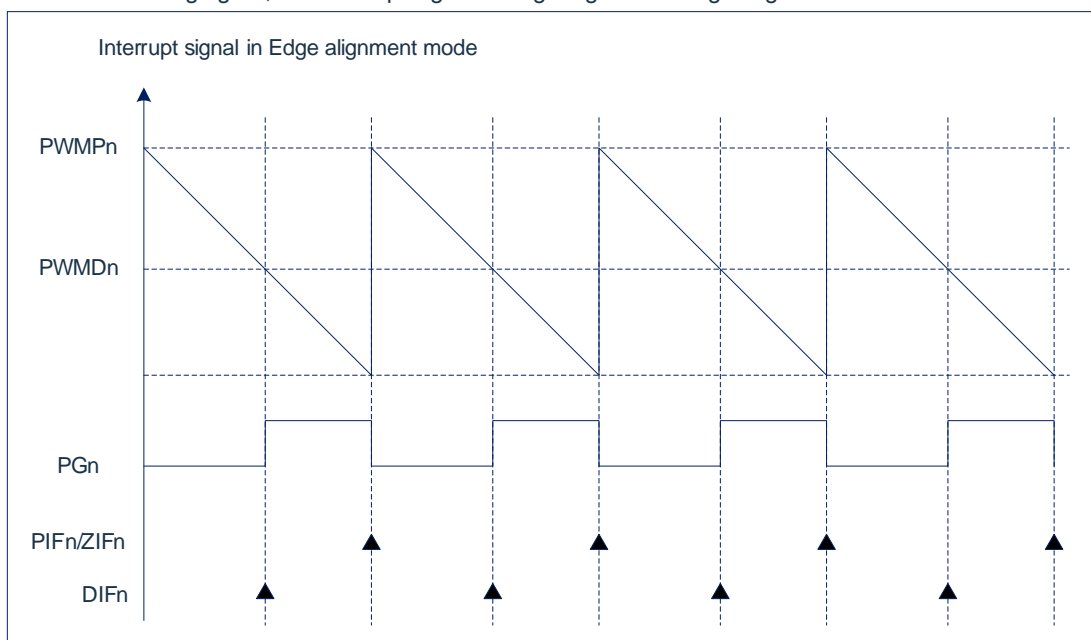
To restore normal output, the brake flag needs to be cleared to zero and the PWM channel counter re-enabled (see the description of the brake control register PWMFBKC and the brake data register PWMFBKD for the brake related configuration).

### 16.3.7 Interrupt Function

The enhanced PWM has a total of 25 interrupt flags, of which 6 periodic interrupt flags, 6 zero interrupt flags, 6 upward comparison interrupt flags, 6 downward comparison interrupt flags, 1 brake Interrupt flag, the generation of the interrupt flag bit is independent of whether the corresponding interrupt enable bit is turned on or not. To enable PWM, any type of interrupt requires the global interrupt enable bit (EA=1) and the PWM global interrupt enable bit PWMIE to successfully configure the PWM interrupt function. All interrupt of PWM share an interrupt vector entry, so after entering the interrupt service program, the user can determine which type of interrupt is generated by the interrupt flag.

The interrupt mechanism of the enhanced PWM is very flexible, and for center alignment, there are up to 4 interrupt types: zero interrupt, up-comparison interrupt, periodic interrupt, and down-comparison interrupt. For edge alignment, there are three types of interrupt: periodic interrupt, comparison interrupt, and zero interrupt, where periodic interrupt and zero interrupt are the same.

As shown in the following figure, the interrupt signal timing diagram for edge alignment mode is shown:



## 16.4 PWM-related Registers

### 16.4.1 PWM Control Register PWMCON

F120H	Bit7	Bit6	Bit5	Bit4	Bit3	Bit2	Bit1	Bit0
PWMCON	--	--	PWMMODE1	PWMMODE0	GROUPEN	ASYMEN	CNTTYPE	--
R/W	R/W	R/W	R/W	R/W	R/W	R/W	R/W	R/W
Reset Value	0	0	0	0	0	0	0	0

Bit7~Bit6	--	Reserved, must be 0.
Bit5~Bit4	PWMMODE<1:0>	Mode control bit of PWM; 00= Standalone mode; 01= Complementary models; 10= Synchronous mode; 11= Reserved .
Bit3	GROUPEN	PWM teaming function enable bit; 1= PG0 controls PG2, PG4; PG1 controls PG3, PG5; 0= All PWM channel signals are independent of each other.
Bit2	ASYMEN	Asymmetric count enable bits in PWM center alignment; 1= Asymmetric count enable; 0= Symmetry count enables.
Bit1	CNTTYPE	PWM count alignment selection bits; 1= Center alignment; 0= Edge alignment.
Bit0	--	Reserved, must be 0.

### 16.4.2 PWM Output Enable Control Register PWMOE

F121H	Bit7	Bit6	Bit5	Bit4	Bit3	Bit2	Bit1	Bit0
PWMOE	--	--	PWM5OE	PWM4OE	PWM3OE	PWM2OE	PWM1OE	PWM0OE
R/W	R/W	R/W	R/W	R/W	R/W	R/W	R/W	R/W
Reset Value	0	0	0	0	0	0	0	0

Bit7~Bit6	--	Reserved, must be 0.
Bit5	PWM5OE	Output enable bit of PWM channel 5; 1= Enable; 0= Disable.
Bit4	PWM4OE	Output enable bit of PWM channel 4; 1= Enable; 0= Disable.
Bit3	PWM3OE	Output enable bit of PWM channel 3; 1= Enable; 0= Disable.
Bit2	PWM2OE	Output enable bit of PWM channel 2; 1= Enable; 0= Disable.
Bit1	PWM1OE	Output enable bit of PWM channel 1; 1= Enable; 0= Disable.
Bit0	PWM0OE	Output enable bit of PWM channel 0; 1= Enable; 0= Disable.

### 16.4.3 PWM0/1 Clock Prescale Control Register PWM01PSC

F123H	Bit7	Bit6	Bit5	Bit4	Bit3	Bit2	Bit1	Bit0
PWM01PSC	PWM01PSC7	PWM01PSC6	PWM01PSC5	PWM01PSC4	PWM01PSC3	PWM01PSC2	PWM01PSC1	PWM01PSC0
R/W	R/W	R/W	R/W	R/W	R/W	R/W	R/W	R/W
Reset Value	0	0	0	0	0	0	0	0

Bit7~Bit0      PWM01PSC<7:0>: PWM channel 0/1 prescale control bit;  
                   00= The prescaler clock stops, the counter of PWM0/1 stops;  
                   Other = The system clock is divided (PWM01PSC+1).

### 16.4.4 PWM2/3 Clock Prescale Control Register PWM23PSC

F124H	Bit7	Bit6	Bit5	Bit4	Bit3	Bit2	Bit1	Bit0
PWM23PSC	PWM23PSC7	PWM23PSC6	PWM23PSC5	PWM23PSC4	PWM23PSC3	PWM23PSC2	PWM23PSC1	PWM23PSC0
R/W	R/W	R/W	R/W	R/W	R/W	R/W	R/W	R/W
Reset Value	0	0	0	0	0	0	0	0

Bit7~Bit0      PWM23PSC<7:0>: PWM channel 2/3 prescale control bit;  
                   00= Prescale clock stop, PWM2/3 counter stop;  
                   Other = (PWM23PSC+1) division of the system clock.

### 16.4.5 PWM4/5 Clock Prescale Control Register PWM45PSC

F125H	Bit7	Bit6	Bit5	Bit4	Bit3	Bit2	Bit1	Bit0
PWM45PSC	PWM45PSC7	PWM45PSC6	PWM45PSC5	PWM45PSC4	PWM45PSC3	PWM45PSC2	PWM45PSC1	PWM45PSC0
R/W	R/W	R/W	R/W	R/W	R/W	R/W	R/W	R/W
Reset Value	0	0	0	0	0	0	0	0

Bit7~Bit0      PWM45PSC<7:0>: PWM channel 4/5 prescale control bit;  
                   00= Prescale clock stop, PWM4/5 counter stop;  
                   Other = Divide the system clock (PWM45PSC+1).

### 16.4.6 PWM Clock Division Control Register PWMnDIV (n=0-5)

	Bit7	Bit6	Bit5	Bit4	Bit3	Bit2	Bit1	Bit0
PWMnDIV	--	--	--	--	--	PWMnDIV2	PWMnDIV1	PWMnDIV0
R/W	R/W	R/W	R/W	R/W	R/W	R/W	R/W	R/W
Reset Value	0	0	0	0	0	0	0	0

Registers PWMnDIV (n=0-5) Address: F12AH, F12BH, F12CH, F12DH, F12EH, F12FH.

- Bit7~Bit3 -- Reserved, must be 0.
- Bit2~Bit0 PWMnDIV<2:0>: PWM channel n clock divider control bit;
- 000= Fpwmn-PSC/2;
  - 001= Fpwmn-PSC/4;
  - 010= Fpwmn-PSC/8;
  - 011= Fpwmn-PSC/16;
  - 100= Fpwmn-PSC;
  - Other = Fsys (system clock);  
(PSC is the clock after prescale).

### 16.4.7 PWM Data Loading Enable Control Register PWMLOADEN

F129H	Bit7	Bit6	Bit5	Bit4	Bit3	Bit2	Bit1	Bit0
PWMLOADEN	--	--	PWM5LE	PWM4LE	PWM3LE	PWM2LE	PWM1LE	PWM0LE
R/W	R/W	R/W	R/W	R/W	R/W	R/W	R/W	R/W
Reset Value	0	0	0	0	0	0	0	0

- Bit7~Bit6 -- Reserved, must be 0.
- Bit5~Bit0 PWMnLE: The data loading enable bits of PWM channel n (n=0-5) (hardware clears to zero after loading), and when PWMnLE=1, changes to the period and duty cycle register contents may cause unpredictable results.
- 1= Enable load cycle, duty cycle data (PERIODn, CMPn, CMPDn).
  - 0= Writing 0 is invalid.

### 16.4.8 PWM Output Polarity Control Register PWMPINV

F122H	Bit7	Bit6	Bit5	Bit4	Bit3	Bit2	Bit1	Bit0
PWMPINV	--	--	PWM5PINV	PWM4PINV	PWM3PINV	PWM2PINV	PWM1PINV	PWM0PINV
R/W	R/W	R/W	R/W	R/W	R/W	R/W	R/W	R/W
Reset Value	0	0	0	0	0	0	0	0

- Bit7~Bit6 -- Reserved, must be 0.
- Bit5~Bit0 PWMnPINV: PWM channel n output polarity control bit (n=0-5);
- 1= Reverse output;
  - 0= Normal output.

### 16.4.9 PWM Counter Mode Control Register PWMCNTM

F127H	Bit7	Bit6	Bit5	Bit4	Bit3	Bit2	Bit1	Bit0
PWMCNTM	--	--	PWM5CNTM	PWM4CNTM	PWM3CNTM	PWM2CNTM	PWM1CNTM	PWM0CNTM
R/W	R/W	R/W	R/W	R/W	R/W	R/W	R/W	R/W
Reset Value	0	0	0	0	0	0	0	0

Bit7~Bit6                    -- Reserved, must be 0.  
 Bit5~Bit0                PWMnCNTM: PWM channel n counter mode control bit (n=0-5);  
                               1= Auto loading mode;  
                               0= One-shot mode.

### 16.4.10 PWM Counter Enable Control Register PWMCNTE

F126H	Bit7	Bit6	Bit5	Bit4	Bit3	Bit2	Bit1	Bit0
PWMCNTE	--	--	PWM5CNTE	PWM4CNTE	PWM3CNTE	PWM2CNTE	PWM1CNTE	PWM0CNTE
R/W	R/W	R/W	R/W	R/W	R/W	R/W	R/W	R/W
Reset Value	0	0	0	0	0	0	0	0

Bit7~Bit6                    -- Reserved, must be 0.  
 Bit5~Bit0                PWMnCNTE: PWM channel n counter enables control bits (n=0-5);  
                               1= PWMn counter on (PWMn starts output);  
                               0= The PWMn counter stops (the software writes 0 and the counter stops and clears the counter value).  
                               (The brake triggers the bit hardware to clear 0; Single-shot mode completes the bit hardware clearance 0)

### 16.4.11 PWM Counter Mode Control Register PWMCNTCLR

F128H	Bit7	Bit6	Bit5	Bit4	Bit3	Bit2	Bit1	Bit0
PWMCNTCLR	--	--	PWM5CNTCLR	PWM4CNTCLR	PWM3CNTCLR	PWM2CNTCLR	PWM1CNTCLR	PWM0CNTCLR
R/W	R/W	R/W	R/W	R/W	R/W	R/W	R/W	R/W
Reset Value	0	0	0	0	0	0	0	0

Bit7~Bit6                    -- Reserved, must be 0.  
 Bit5~Bit0                PWMnCNTCLR: PWM channel n counter clear control bit (n=0-5) (hardware automatic zeroing);  
                               1= PWMn counter clears;  
                               0= Writing 0 is invalid.

### 16.4.12 PWM Period Data Register Low 8 Bits PWMPnL (n=0-5)

	Bit7	Bit6	Bit5	Bit4	Bit3	Bit2	Bit1	Bit0
PWMPnL	PWMPnL7	PWMPnL6	PWMPnL5	PWMPnL4	PWMPnL3	PWMPnL2	PWMPnL1	PWMPnL0
R/W	R/W	R/W	R/W	R/W	R/W	R/W	R/W	R/W
Reset Value	0	0	0	0	0	0	0	0

Registers PWMPnL (n=0-5) Address: F130H, F132H, F134H, F136H, F138H, F13AH.

Bit7~Bit0                PWMPnL<7:0>: The PWM channel n-period data register is 8 bits lower.



### 16.4.13 PWM Period Data Register High 8 Bits PWMPnH (n=0-5)

	Bit7	Bit6	Bit5	Bit4	Bit3	Bit2	Bit1	Bit0
PWMPnH	PWMPnH7	PWMPnH6	PWMPnH5	PWMPnH4	PWMPnH3	PWMPnH2	PWMPnH1	PWMPnH0
R/W	R/W	R/W	R/W	R/W	R/W	R/W	R/W	R/W
Reset Value	0	0	0	0	0	0	0	0

Registers PWMPnH (n=0-5) Address: F131H, F133H, F135H, F137H, F139H, F13BH.

Bit7~Bit0 PWMPnH<7:0>: The PWM channel n-period data register is 8 bits high.

### 16.4.14 PWM Comparison Data Register Low 8 Bits PWMDnL (n=0-5)

	Bit7	Bit6	Bit5	Bit4	Bit3	Bit2	Bit1	Bit0
PWMDnL	PWMDnL7	PWMDnL6	PWMDnL5	PWMDnL4	PWMDnL3	PWMDnL2	PWMDnL1	PWMDnL0
R/W	R/W	R/W	R/W	R/W	R/W	R/W	R/W	R/W
Reset Value	0	0	0	0	0	0	0	0

Registers PWMDnL (n=0-5) Address: F140H, F142H, F144H, F146H, F148H, F14AH.

Bit7~Bit0 PWMDnL<7:0>: PWM channel n compare data (duty cycle data) registers 8 bits lower.

### 16.4.15 PWM Comparison Data Register High 8 Bits PWMDnH (n=0-5)

	Bit7	Bit6	Bit5	Bit4	Bit3	Bit2	Bit1	Bit0
PWMDnH	PWMDnH7	PWMDnH6	PWMDnH5	PWMDnH4	PWMDnH3	PWMDnH2	PWMDnH1	PWMDnH0
R/W	R/W	R/W	R/W	R/W	R/W	R/W	R/W	R/W
Reset Value	0	0	0	0	0	0	0	0

Registers PWMDnH (n=0-5) Address: F141H, F143H, F145H, F147H, F149H, F14BH.

Bit7~Bit0 PWMDnH<7:0>: The PWM channel n comparison data (duty cycle data) register is 8 bits higher.

### 16.4.16 PWM Down Comparison Data Register Low 8 Bits PWMDDnL (n=0-5)

	Bit7	Bit6	Bit5	Bit4	Bit3	Bit2	Bit1	Bit0
PWMDDnL	PWMDDnL7	PWMDDnL6	PWMDDnL5	PWMDDnL4	PWMDDnL3	PWMDDnL2	PWMDDnL1	PWMDDnL0
R/W	R/W	R/W	R/W	R/W	R/W	R/W	R/W	R/W
Reset Value	0	0	0	0	0	0	0	0

Registers PWMDDnL (n=0-5) Address: F150H, F152H, F154H, F156H, F158H, F15AH.

Bit7~Bit0 PWMDDnL<7:0>: PWM channel n down to compare data (duty cycle data at asymmetric counts) register 8 bits lower.

### 16.4.17 PWM Down Comparison Data Register High 8 Bits PWMDDnH (n=0-5)

	Bit7	Bit6	Bit5	Bit4	Bit3	Bit2	Bit1	Bit0
PWMDDnH	PWMDDnH7	PWMDDnH6	PWMDDnH5	PWMDDnH4	PWMDDnH3	PWMDDnH2	PWMDDnH1	PWMDDnH0
R/W	R/W	R/W	R/W	R/W	R/W	R/W	R/W	R/W
Reset Value	0	0	0	0	0	0	0	0

Registers PWMDDnH (n=0-5) Address: F151H, F153H, F155H, F157H, F159H, F15BH.

Bit7~Bit0 PWMDDnH<7:0>: PWM channel n down-compare data (duty cycle data at asymmetric counts) register 8 bits higher.

### 16.4.18 The PWM Dead-zone Enable Control Register PWMDE

F160H	Bit7	Bit6	Bit5	Bit4	Bit3	Bit2	Bit1	Bit0
PWMDE	--	--	--	--	--	PWM45DTE	PWM23DTE	PWM01DTE
R/W	R/W	R/W	R/W	R/W	R/W	R/W	R/W	R/W
Reset Value	0	0	0	0	0	0	0	0

- Bit7~Bit3 -- Reserved, must be 0.
- Bit2 PWM45DTE: PWM4/5 channel dead-zone delay enable bit;  
1= Enable;  
0= Disable.
- Bit1 PWM23DTE: PWM2/3 channel dead-zone delay enable bit;  
1= Enable;  
0= Disable.
- Bit0 PWM01DTE: PWM0/1 channel dead-zone delay enable bit;  
1= Enable;  
0= Disable.

### 16.4.19 PWM0/1 Dead Zone Delay Data Register PWM01DT

F161H	Bit7	Bit6	Bit5	Bit4	Bit3	Bit2	Bit1	Bit0
PWM01DT	PWM01DT7	PWM01DT6	PWM01DT5	PWM01DT4	PWM01DT3	PWM01DT2	PWM01DT1	PWM01DT0
R/W	R/W	R/W	R/W	R/W	R/W	R/W	R/W	R/W
Reset Value	0	0	0	0	0	0	0	0

Bit7~Bit0 PWM01DT<7:0>: PWM channel 0/1 dead-zone delay data register.

### 16.4.20 PWM2/3 Dead-zone Delay Data Register PWM23DT

F162H	Bit7	Bit6	Bit5	Bit4	Bit3	Bit2	Bit1	Bit0
PWM23DT	PWM23DT7	PWM23DT6	PWM23DT5	PWM23DT4	PWM23DT3	PWM23DT2	PWM23DT1	PWM23DT0
R/W	R/W	R/W	R/W	R/W	R/W	R/W	R/W	R/W
Reset Value	0	0	0	0	0	0	0	0

Bit7~Bit0 PWM23DT<7:0>: PWM channel 2/3 dead-zone delay data register.

### 16.4.21 PWM4/5 Dead Zone Delay Data Register PWM45DT

F163H	Bit7	Bit6	Bit5	Bit4	Bit3	Bit2	Bit1	Bit0
PWM45DT	PWM45DT7	PWM45DT6	PWM45DT5	PWM45DT4	PWM45DT3	PWM45DT2	PWM45DT1	PWM45DT0
R/W	R/W	R/W	R/W	R/W	R/W	R/W	R/W	R/W
Reset Value	0	0	0	0	0	0	0	0

Bit7~Bit0 PWM45DT<7:0>: PWM channel 4/5 dead-zone delay data register.

### 16.4.22 PWM Mask Control Register PWMMASKE

F164H	Bit7	Bit6	Bit5	Bit4	Bit3	Bit2	Bit1	Bit0
PWMMASKE	--	--	PWM5MASKE	PWM4MASKE	PWM3MASKE	PWM2MASKE	PWM1MASKE	PWM0MASKE
R/W	R/W	R/W	R/W	R/W	R/W	R/W	R/W	R/W
Reset Value	0	0	0	0	0	0	0	0

Bit7~Bit6 -- Reserved, must be 0.

Bit5~Bit0 PWMnMASKE: PWM channel n mask control enable bits (n=0-5);  
 1= PWMn channel enables masked data output;  
 0= The PWMn channel disables masking data output (normal output PWM waveform).

### 16.4.23 PWM Mask Data Register PWMMASKD

F165H	Bit7	Bit6	Bit5	Bit4	Bit3	Bit2	Bit1	Bit0
PWMMASKD	--	--	PWM5MASKD	PWM4MASKD	PWM3MASKD	PWM2MASKD	PWM1MASKD	PWM0MASKD
R/W	R/W	R/W	R/W	R/W	R/W	R/W	R/W	R/W
Reset Value	0	0	0	0	0	0	0	0

Bit7~Bit6 -- Reserved, must be 0.

Bit5~Bit0 PWMnMASKD: PWM channel n mask data bits (n=0-5);  
 1= PWMn channel output is high;  
 0= PWMn channel output is low.

### 16.4.24 PWM Brake Control Register PWMFBKC

F166H	Bit7	Bit6	Bit5	Bit4	Bit3	Bit2	Bit1	Bit0
PWMFBKC	PWMFBIE	PWMFBF	PWM5FBCCE	PWMFBKSW	PWMFBES	--	PWMFBEN	--
R/W	R/W	R/W	R/W	R/W	R/W	R/W	R/W	R/W
Reset Value	0	0	0	0	0	0	0	0

- Bit7            PWMFBIE: PWM brake break shielding position;  
                   1= Enable interrupt;  
                   0= Interrupt is Disabled.
- Bit6            PWMFBF: PWM brake marker bit (write 0 to clear);  
                   1= Generated brake operation (value of the PWM output brake data register);  
                   0= No brake action is generated.
- Bit5            PWM5FBCCE: Whether to clear all channel counter selections when braking PWM;  
                   1= The value of the counter is not cleared when braking;  
                   0= Clear the channel counter value when braking.
- Bit4            PWMFBKSW: PWM software brake signal start position;  
                   1= PWM generates software brake signals;  
                   0= Disable.
- Bit3            PWMFBES: PWM external hardware brake channel (FB trigger level selector);  
                   1= High level;  
                   0= Low level.
- Bit2            -- Reserved, must be 0.
- Bit1            PWMFBEN: PWM External Hardware Brake Channel (FB) Enable Bit;  
                   1= Enable;  
                   0= Disable.
- Bit0            -- Reserved, must be 0.

### 16.4.25 PWM Brake Data Register PWMFBKD

F167H	Bit7	Bit6	Bit5	Bit4	Bit3	Bit2	Bit1	Bit0
PWMFBKD	--	--	PWM5FBKD	PWM4FBKD	PWM3FBKD	PWM2FBKD	PWM1FBKD	PWM0FBKD
R/W	R/W	R/W	R/W	R/W	R/W	R/W	R/W	R/W
Reset Value	0	0	0	0	0	0	0	0

- Bit7~Bit6            -- Reserved, must be 0.
- Bit5~Bit0            PWMnFBKD: PWM channel n brake data bits (n=0-5);  
                   1= The PWMn channel produces a high output after braking operation.  
                   0= The PWMn channel produces a low output after braking operation.

## 16.5 PWM Interrupt the Related Registers

### 16.5.1 Interrupt Mask Register EIE2

0xAA	Bit7	Bit6	Bit5	Bit4	Bit3	Bit2	Bit1	Bit0
EIE2	SPIIE	I2CIE	WDTIE	ADCIE	PWMIE	--	ET4	ET3
R/W	R/W	R/W	R/W	R/W	R/W	R/W	R/W	R/W
Reset Value	0	0	0	0	0	0	0	0

- Bit7 SPIIE: SPI interrupt enable bit;  
1= Enable SPI interrupt;  
0= Disable SPI Interrupt.
- Bit6 I2CIE: I2C interrupt enable bit;  
1= Enable<sup>I2C</sup> interrupt;  
0= Disable<sup>I2C</sup> Interrupt.
- Bit5 WDTIE: WDT interrupt enable bit;  
1= Enable WDT overflow interrupt;  
0= Disable WDT overflow interrupt.
- Bit4 ADCIE: ADC interrupt enable bit;  
1= Enable ADC interrupt;  
0= Disable ADC interrupt.
- Bit3 PWMIE: PWM global interrupt enable bit;  
1= Enable all PWM interrupt;  
0= Disable all PWM interrupt.
- Bit2 -- Reserved, must be 0.
- Bit1 ET4: Timer4 interrupt enable bit;  
1= Enable Timer4 interrupt;  
0= DisableTimer4 Interrupt.
- Bit0 ET3: Timer3 interrupt enable bit;  
1= Enable Timer3 interrupt;  
0= DisableTimer3 Interrupt.

### 16.5.2 Interrupt Priority Control Register EIP2

0xBA	Bit7	Bit6	Bit5	Bit4	Bit3	Bit2	Bit1	Bit0
EIP2	PSPI	PI2C	PWDT	PADC	PPWM	--	PT4	PT3
R/W	R/W	R/W	R/W	R/W	R/W	R/W	R/W	R/W
Reset Value	0	0	0	0	0	0	0	0

- Bit7 PSPI: SPI interrupt priority control bit;  
1= Set to High-level Interrupt;  
0= Set to low-level interrupt.
- Bit6 PI2C: <sup>I2C</sup> interrupt priority control bit;  
1= Set to High-level Interrupt;  
0= Set to low-level interrupt.
- Bit5 PWDT: WDT interrupt priority control bit;  
1= Set to High-level Interrupt;  
0= Set to low-level interrupt.
- Bit4 PADC: ADC interrupt priority control bit;  
1= Set to High-level Interrupt;  
0= Set to low-level interrupt.

- Bit3      PPWM: PWM interrupt priority control bit  
           1= Set to High-level Interrupt;  
           0= Set to low-level interrupt.
- Bit2      -- Reserved, must be 0.
- Bit1      PT4: TIMER4 interrupt priority control bit;  
           1= Set to High-level Interrupt;  
           0= Set to low-level interrupt.
- Bit0      PT3: TIMER3 interrupt priority control bit;  
           1= Set to High-level Interrupt;  
           0= Set to low-level interrupt.

### 16.5.3 PWM Cycle Interrupt Shield Register PWMPIE

F168H	Bit7	Bit6	Bit5	Bit4	Bit3	Bit2	Bit1	Bit0
PWMPIE	--	--	PWM5PIE	PWM4PIE	PWM3PIE	PWM2PIE	PWM1PIE	PWM0PIE
R/W	R/W	R/W	R/W	R/W	R/W	R/W	R/W	R/W
Reset Value	0	0	0	0	0	0	0	0

- Bit7~Bit6      -- Reserved, must be 0.
- Bit5~Bit0      PWMnPIE: PWM channel n-period interrupt shielding bit (n=0-5);  
                   1= Enable interrupt;  
                   0= Interrupt is Disabled.

### 16.5.4 PWM Zero Interrupt Mask Register PWMZIE

F169H	Bit7	Bit6	Bit5	Bit4	Bit3	Bit2	Bit1	Bit0
PWMZIE	--	--	PWM5ZIE	PWM4ZIE	PWM3ZIE	PWM2ZIE	PWM1ZIE	PWM0ZIE
R/W	R/W	R/W	R/W	R/W	R/W	R/W	R/W	R/W
Reset Value	0	0	0	0	0	0	0	0

- Bit7~Bit6      -- Reserved, must be 0.
- Bit5~Bit0      PWMnZIE: PWM channel n zero interrupt shield bit (n=0-5);  
                   1= Enable interrupt;  
                   0= Interrupt is Disabled.

### 16.5.5 PWM up Comparison Interrupt Mask Register PWMUIE

F16AH	Bit7	Bit6	Bit5	Bit4	Bit3	Bit2	Bit1	Bit0
PWMUIE	--	--	PWM5UIE	PWM4UIE	PWM3UIE	PWM2UIE	PWM1UIE	PWM0UIE
R/W	R/W	R/W	R/W	R/W	R/W	R/W	R/W	R/W
Reset Value	0	0	0	0	0	0	0	0

- Bit7~Bit6      -- Reserved, must be 0.
- Bit5~Bit0      PWMnUIE: PWM channel n up to compare interrupt shield bits (n=0-5);  
                   1= Enable interrupt;  
                   0= Interrupt is Disabled.

### 16.5.6 PWM Down Comparison Interrupt Mask Register PWMDIE

F16BH	Bit7	Bit6	Bit5	Bit4	Bit3	Bit2	Bit1	Bit0
PWMDIE	--	--	PWM5DIE	PWM4DIE	PWM3DIE	PWM2DIE	PWM1DIE	PWM0DIE
R/W	R/W	R/W	R/W	R/W	R/W	R/W	R/W	R/W
Reset Value	0	0	0	0	0	0	0	0

Bit7~Bit6 -- Reserved, must be 0.

Bit5~Bit0 PWMnDIE: PWM channel n down compared interrupt shield bits (n=0-5);  
 1= Enable interrupt;  
 0= Interrupt is Disabled.

### 16.5.7 PWM Cycle Interrupt Flag Register PWMPIF

F16CH	Bit7	Bit6	Bit5	Bit4	Bit3	Bit2	Bit1	Bit0
PWMPIF	--	--	PWM5PIF	PWM4PIF	PWM3PIF	PWM2PIF	PWM1PIF	PWM0PIF
R/W	R/W	R/W	R/W	R/W	R/W	R/W	R/W	R/W
Reset Value	0	0	0	0	0	0	0	0

Bit7~Bit6 -- Reserved, must be 0.

Bit5~Bit0 PWMnPIF: PWM channel n-period interrupt flag bit (n=0-5);  
 1= generate interrupt (software zeroing);  
 0= No Interrupt was generated.

### 16.5.8 PWM Zero Interrupt Flag Register PWMZIF

F16DH	Bit7	Bit6	Bit5	Bit4	Bit3	Bit2	Bit1	Bit0
PWMZIF	--	--	PWM5ZIF	PWM4ZIF	PWM3ZIF	PWM2ZIF	PWM1ZIF	PWM0ZIF
R/W	R/W	R/W	R/W	R/W	R/W	R/W	R/W	R/W
Reset Value	0	0	0	0	0	0	0	0

Bit7~Bit6 -- Reserved, must be 0.

Bit5~Bit0 PWMnZIF: PWM channel n zero interrupt flag bit (n=0-5);  
 1= generate interrupt (software zeroing);  
 0= No Interrupt was generated.

### 16.5.9 PWM up Comparison Interrupt Flag Register PWMUIF

F16EH	Bit7	Bit6	Bit5	Bit4	Bit3	Bit2	Bit1	Bit0
PWMUIF	--	--	PWM5UIF	PWM4UIF	PWM3UIF	PWM2UIF	PWM1UIF	PWM0UIF
R/W	R/W	R/W	R/W	R/W	R/W	R/W	R/W	R/W
Reset Value	0	0	0	0	0	0	0	0

Bit7~Bit6 -- Reserved, must be 0.

Bit5~Bit0 PWMnUIF: PWM channel n up to compare interrupt flag bits (n=0-5);  
 1= generate interrupt (software zeroing);  
 0= No Interrupt was generated.

### 16.5.10 PWM Down Comparison Interrupt Flag Register PWMDIF

F16FH	Bit7	Bit6	Bit5	Bit4	Bit3	Bit2	Bit1	Bit0
PWMDIF	--	--	PWM5DIF	PWM4DIF	PWM3DIF	PWM2DIF	PWM1DIF	PWM0DIF
R/W	R/W	R/W	R/W	R/W	R/W	R/W	R/W	R/W
Reset Value	0	0	0	0	0	0	0	0

Bit7~Bit6                    -- Reserved, must be 0.

Bit5~Bit0                PWMnDIF: PWM channel n down to compare interrupt flag bits (n=0-5);

1= generate interrupt (software zeroing);

0= No Interrupt was generated.



## 17. SPI Module

### 17.1 Overview

This SPI is a fully configurable SPI master/slave device that enables the user to configure the polarity and phase of the serial clock signal SCLK. The serial clock line (SCLK) is synchronized with the shifting and sampling of information on two independent serial data lines, and the SPI data is sent and received simultaneously. SPI enables the MCU to communicate with serial peripherals, it is also capable of interprocessor-to-processor communication in multi-master systems, and is a technology-independent design that can be implemented in a variety of process technologies.

The SPI system is flexible enough to connect directly with many standard product peripherals from several manufacturers. To accommodate most of the available synchronous serial peripherals, clock control logic enables the selection of clock polarity and phase. The system can be configured as a master device or slave device, and when the SPI is configured as a master device, the software chooses one of eight different bit rates for the serial clock, up to the system clock divided by 4 ( $F_{sys}/4$ ).

The SPI slave chip selects an addressable SPI slave device to exchange serial data. When the SPI is used as the master device, the SPI auto-drive is selected by the slave selection control register SSCR. The SPI controller includes logical error detection to support interprocessor communication, such as the write conflict detector that indicates when data is written to the serial shift register during transfer.

SPI has the following features:

- ◆ Full-duplex synchronous serial data transfer.
- ◆ Supports master/slave mode.
- ◆ Support for multi-master systems.
- ◆ System error detection.
- ◆ Interrupt generation.
- ◆ Supports speeds up to 1/4 of the system clock ( $F_{SYS} \leq 24\text{MHz}$ ).
- ◆ The bit rate produces 1/4, 1/8, 1/16, 1/32, 1/64, 1/128, 1/256, 1/512 of the system clock.
- ◆ Four transmission formats are supported.
- ◆ The simple interface Enables easy connection to the microcontroller.

## 17.2 SPI Port Configuration

Using the SPI function requires configuring the relevant port as an SPI channel and selecting the corresponding port input through the communication input port registers. For example, P14, P15, P16, and P17 are configured as SPI communication ports. The configuration code is as follows:

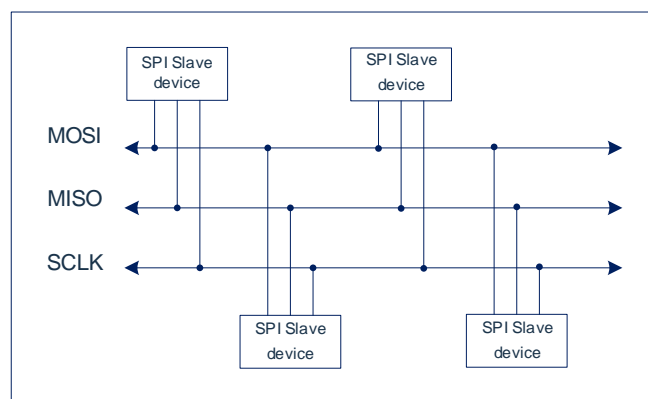
P14CFG = 0x0E; Select P14 to configure as an NSS channel

P15CFG = 0x0F; Select P15 to configure as SCLK channel

P16CFG = 0x10; Select P16 to configure as a MOSI channel

P17CFG = 0x11; Select P17 to configure as a MISO channel

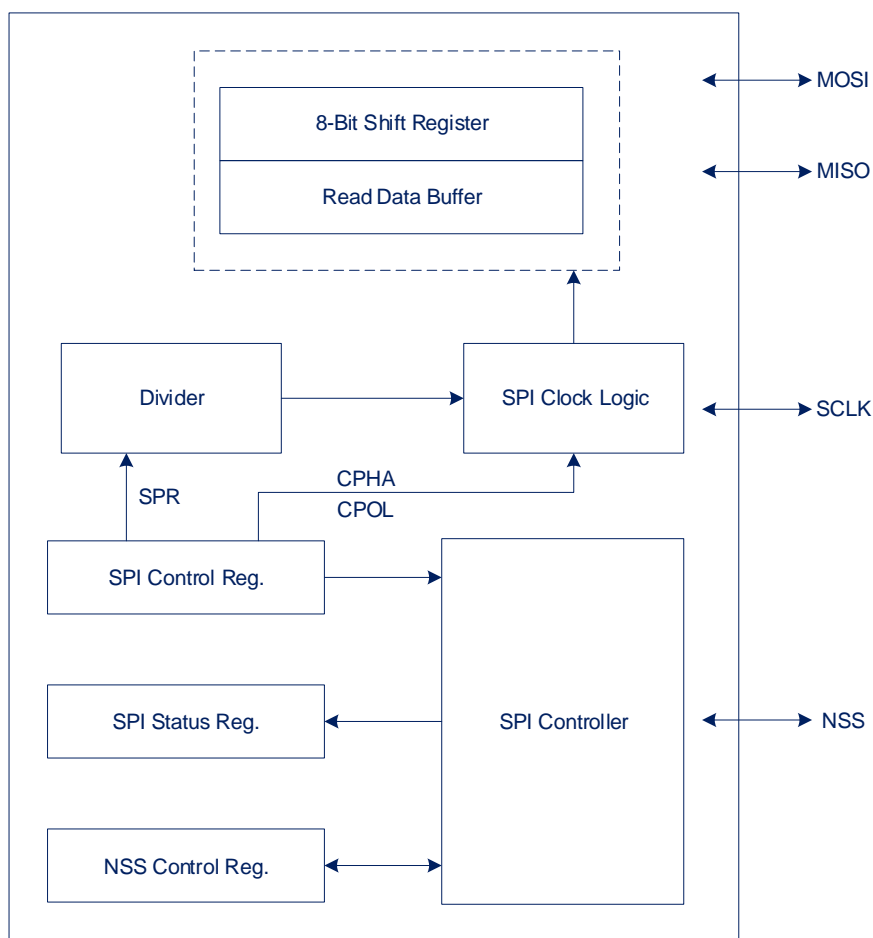
Configured as SCLK, MOSI, MISO, and NSS ports, the pull-up resistor and open-drain output switch are forcibly closed. The schematic diagram of the multi-machine SPI communication structure is shown in the following figure:



## 17.3 SPI Hardware Description

When an SPI transfer occurs, when one data pin moves out of one 8-bit character, the other data pin moves in the other 8-bit character. The 8-bit shift register in the master device and another 8-bit shift register in the slave device are connected as a cyclic 16-bit shift register, and when the transfer occurs, the distributed shift register is shifted by 8 bits, thus effectively swapping the characters of the master slave.

The central element in the SPI system is the module containing the shift registers and the buffer for reading data. The system is single buffer in the transmit direction and double buffer in the receive direction. This means that new data cannot be written to the shifter until the previous data transfer is complete; However, the received data is transmitted to a parallel read data buffer, so the shifter is free to receive a second serial character. As long as the first character is read out of the read data buffer before the next serial character is ready for transmission, there is no overwrite. The SPI control block diagram is shown in the following figure:



The pins associated with SPI are: NSS, SCLK, MOSI, MISO.

The NSS output pins in master mode are used to select slave devices, and the NSS input pins in slave mode are used to enable transmission.

In master mode, the SCLK pin is used as an SPI clock signal reference. When the master device initiates a transfer, eight clock cycles are automatically generated on the SCLK pins.

When the SPI is configured as a slave device, the SI pin is the slave device input data line and the SO is the slave device output data line.

When the SPI is configured as a master device, the MI pin is the master device input data line and the MO is the master device output data line.

## 17.4 SPI-dependent Registers

### 17.4.1 SPI Control Register SPCR

0xEC	Bit7	Bit6	Bit5	Bit4	Bit3	Bit2	Bit1	Bit0
SPCR	--	SPEN	SPR2	MSTR	CPOL	CPHA	SPR1	SPR0
R/W	R/W	R/W	R/W	R/W	R/W	R/W	R/W	R/W
Reset Value	0	0	0	0	0	1	0	0

Bit7	--	Reserved, must be 0.
Bit6	SPEN:	SPI module enable bit; 1= Enable; 0= Disable.
Bit5	SPR2:	The SPI clock frequency selects bit [2].
Bit4	MSTR:	SPI mode select bit; 1= Master mode; 0= Slave mode.
Bit3	CPOL:	SPI clock polarity select bit; 1= SCLK is high when idle; 0= SCLK is low when idle.
Bit2	CPHA:	SPI clock phase select bit.
Bit1~Bit0	SPR<1:0>:	SPI Clock Frequency Select Bit [1:0] (For details of frequency control, see the table below)

The SPR2-SPR0 controls the SPI clock divider

SPR2	SPR1	SPR0	System clock divider
0	0	0	4
0	0	1	8
0	1	0	16
0	1	1	32
1	0	0	64
1	0	1	128
1	1	0	256
1	1	1	512

### 17.4.2 SPI Data Register SPDR

0xEE	Bit7	Bit6	Bit5	Bit4	Bit3	Bit2	Bit1	Bit0
SPDR	SPIDATA7	SPIDATA6	SPIDATA5	SPIDATA4	SPIDATA3	SPIDATA2	SPIDATA1	SPIDATA0
R/W	R/W	R/W	R/W	R/W	R/W	R/W	R/W	R/W
Reset Value	0	0	0	0	0	0	0	0

Bit7~Bit0	SPIDATA:	Data sent or received by SPI. Write operation: Write the data that will be sent (the order of sending is from high bit to low bit). Read operation: Data that has been received.
-----------	----------	--

### 17.4.3 The SPI Selects the Control Register SSCR From the Device

The slave device selection control register SSCR can be read or written at any time and is used to configure which slave selection output should be driven when confirming an SPI master transfer. When the SPI master transfer starts, the contents of the SSCR register are automatically assigned to the NSS pin.

0xEF	Bit7	Bit6	Bit5	Bit4	Bit3	Bit2	Bit1	Bit0
SSCR	--	--	--	--	--	--	--	NSS00
R/W	R/W	R/W	R/W	R/W	R/W	R/W	R/W	R/W
Reset Value	1	1	1	1	1	1	1	1

- Bit7~Bit1            -- Reserved, must be 1.
- Bit0                NSS00: The SPI selects the control bit from the device (the master chip select output NSS is NSS00).
- 0= When the SPI master transfer starts, NSS00 outputs 0.
- 1= When the SPI master transfer starts, NSS00 outputs 1.

### 17.4.4 SPI Status Register SPSR

0xED	Bit7	Bit6	Bit5	Bit4	Bit3	Bit2	Bit1	Bit0
SPSR	SPISIF	WCOL	--	--	--	--	--	SSCEN
R/W	R	R	--	R	--	--	R/W	R/W
Reset Value	0	0	0	0	0	0	0	0

- Bit7                SPISIF: SPI transmission completion interrupt flag bit, read-only;
- 1= SPI transmission is completed (read SPSR first, then read/write SPDR and then clear zero);
- 0= The SPI was not transmitted.
- Bit6                WCOL: SPI write violation interrupt flag bit, read-only;
- 1= When the SPI transfer is not completed, a collision of the write SPDR operation occurs (read the SPSR first, then clear the SPDR after reading/writing the SPDR);
- 0= No write conflicts.
- Bit5~Bit1           -- Reserved, must be 0.
- Bit0                SSCEN: SPI master mode NSS output control bit.
- 1= When the SPI is idle, the NSS output is high;
- 0= NSS output registers the contents of the SSCR.

The SPI Status Register (SPSR) contains flags that indicate that the transfer was complete or that a system error occurred. When the corresponding event occurs and is cleared sequentially by the software, all flags are set automatically. By reading SPSR and then accessing SPDR, SPISIF and WCOL will be automatically cleared.

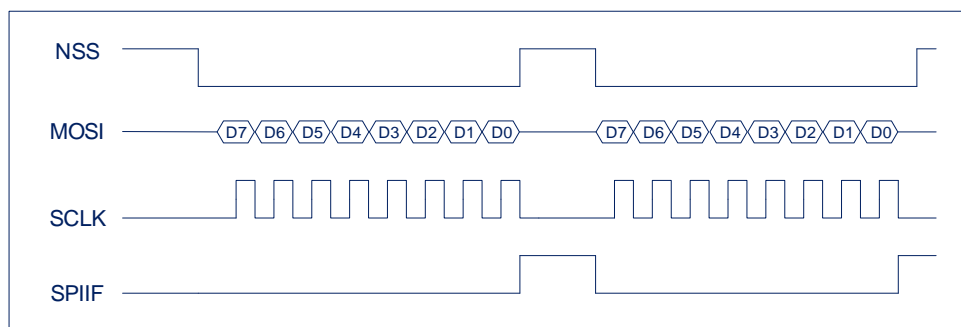
The SSCEN bit is the enable bit of the automatic slave selection output. When SSCEN is set to 1, the NSS line outputs the contents of the SSCR register while the transmission is in progress, and the NSS is high when the transmission is idle. When the SSCEN bit is cleared, the NSS line always displays the contents of the SSCR registers.

## 17.5 SPI master mode

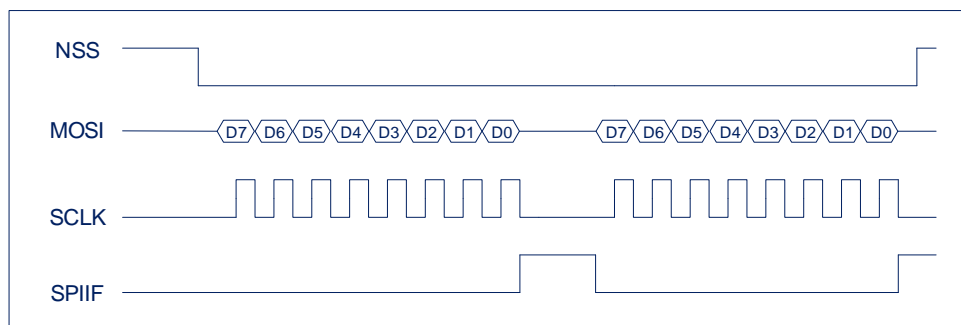
When SPI is configured for master mode, the transfer is initiated by writing to the SPDR registers. When new bytes are written to the SPDR register, the SPI starts transferring. The serial clock SCLK is generated by the SPI. In the master mode, SPI is enabled and SCLK is output.

SPI in master mode can select the SPI slave device via the NSS cable. NSS Line - The slave selection output line loads the contents of the SSCR registers. The SSCEN bit of the SPSR register is selected between automatic NSS line control and software control. Place SSCEN in master mode, when SSCEN is set to 1, the NSS line outputs the contents of the SSCR register while the transmission is in progress, and the NSS is high when the transmission is idle. When the SSCEN bit is cleared, the NSS cable is controlled by the software and always displays the contents of the SSCR registers, regardless of whether the transmission is in progress or the SPI is idle.

When SSCEN=1, configure the clock polarity CPOL=0 and the clock phase CPHA=0 for SPI, as shown in the following figure:



When SSCEN=0, configure the clock polarity CPOL=0 and the clock phase CPHA=0 for SPI, as shown in the following figure:



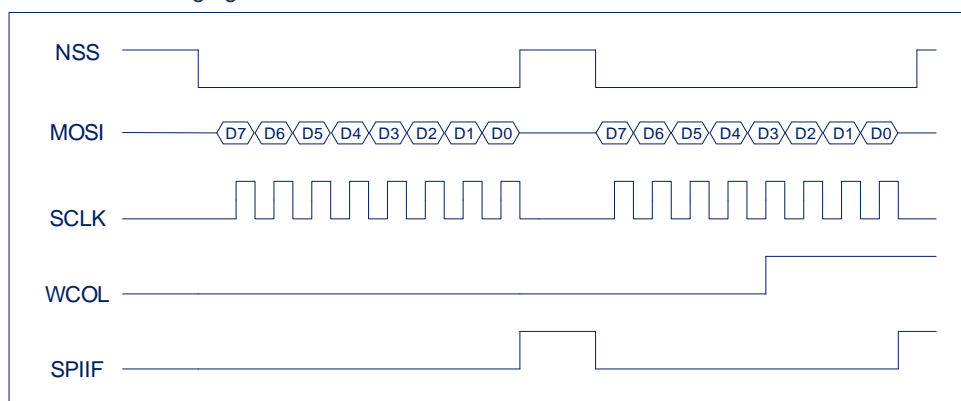
### 17.5.1 Write conflict error

If the SPI data registers are written during the transfer, a write violation occurs. The transfer continues uninterrupted, and the write data that causes the error is not written to the shifter. Write conflicts are indicated by the WCOL flag in the SPSR register.

When a WCOL error occurs, the WCOL flag is automatically set to 1 by the hardware. To clear the WCOL bits, the user should perform the following steps:

- Read the contents of the SPSR register;
- Access the SPDR register (read or write).

In the SPI master mode, the write conflict error when the clock polarity CPOL=0 and the clock phase CPHA=0 of SPI are configured as shown in the following figure:



The specific conditions for the occurrence of write conflicts are: during the data transmission process, when the NSS is low, the first data starts to be sent from the moment to the 8th SCLK falling edge, if you write SPDR during this period, a write conflict will occur, and the WCOL will be set to 1.

Note: When you start sending data, after writing SPDR, the NSS does not immediately go low, and you need to wait for at most one SPI clock before it starts to be low. After the NSS is low, it is necessary to wait for a system clock to start sending the first data before entering the real data transfer state. Between writing the SPDR to the time it enters the real data transfer state, writing the SPDR again does not create a write conflict. However, the operation updates the data that is ready to be sent. If there are multiple writes to the SPDR, the data sent will be the last value written to the SPDR.

Since SPI has only one transmit buffer, it is recommended to determine whether the last data was sent before writing the SPDR, and then write the SPDR register after the transmission is completed to prevent write conflicts.

## 17.6 SPI Slave Mode

When configured as an SPI slave device, SPI transmission is initiated by an external SPI master module by using the SPI slave selection input and generates an SCLK serial clock.

Before the transfer begins, it is necessary to determine which SPI slave will be used to exchange data. The NSS is used (clear = 0), and the clock signal connected to the SCLK line will transfer the SPI from the machine device to the receiving shift register contents of the MOSI line and drive the MISO line with the contents of the transmitter shift registers. When all 8 bits are moved in/out, SPI generates an interrupt request by setting the IRQ output. The contents of the shift register drive the MISO line.

In SPI slave mode, there can only be one transmit error - write conflict error.

### 17.6.1 Address Error

In slave mode, only write conflict errors can be detected by SPI.

When an SPDR register write operation is performed while an SPI transfer is in progress, a write violation error occurs.

In slave mode, when CPHA is cleared, a write collision error may occur as long as the NSS slave selection line is driven low, even if all bits have been transmitted. This is because the transfer start is not explicitly specified, and the NSS is driven low after a full-byte transfer may indicate the start of the next byte transfer.

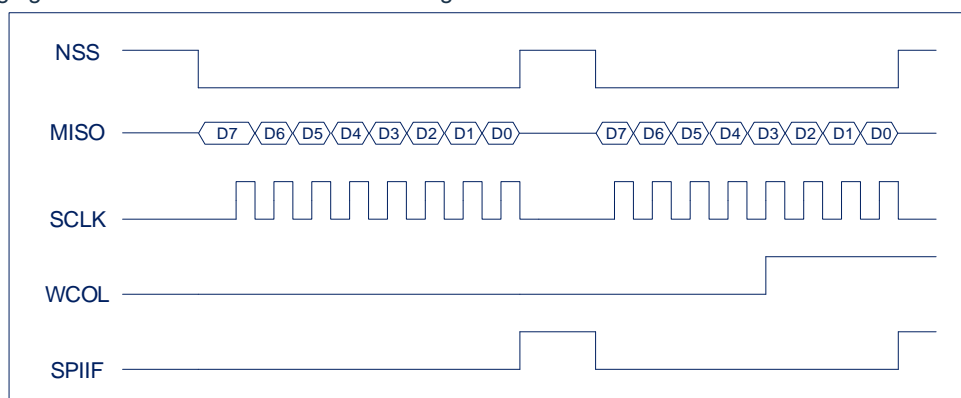
### 17.6.2 Write Conflict Error

If the SPI data register is written during the transfer, a write violation occurs. The transfer continues uninterrupted, and the write data that causes the error is not written to the shifter. Write conflicts are indicated by the WCOL flag in the SPSR register.

When a WCOL error occurs, the WCOL flag is automatically set to 1 by the hardware. To clear the WCOL bits, the user should perform the following sequence:

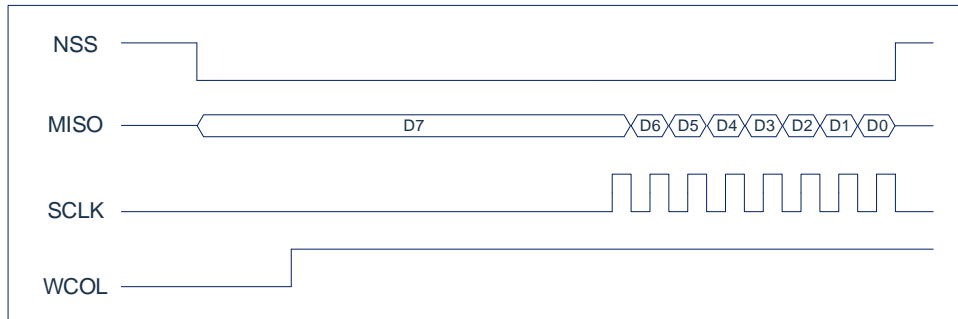
- Read the contents of the SPSR register;
- Access the SPDR register (read or write).

The following figure shows a write violation error during transfer in SPI slave mode:





In case the CPHA is cleared, WCOL generation can also be caused by SPDR register writes when either NSS line is cleared, at which point the SPI master can also complete without generating a serial clock SCLK. This is because the transfer start is not explicitly specified, and the NSS is driven low after a full-byte transfer may indicate the start of the next byte transfer. When the NSS transmission line is low and the clock phase CPHA = 0, writing SPDR leads to a write collision error as shown in the following figure:



In addition, in slave mode, after writing the SPDR, the master-controlled NSS does not immediately become low. When the NSS is low, you need to wait for the second edge of the SCLK to start before entering the real data transfer state.

Between writing the SPDR and starting to send the first data, writing the SPDR again does not create a write conflict. However, the operation updates the data that is ready to be sent. If there are multiple writes to the SPDR, the data sent will be the last value written to the SPDR.

Writing the SPDR again does not create a write conflict during the start of sending the first data to the second edge of the SCLK, nor does it update the data being sent. That is, the operation of writing the SPDR is ignored.

Since SPI has only one transmit buffer, it is recommended to determine whether the last data was sent before writing the SPDR, and then write the SPDR register after the transmission is completed to prevent write conflicts.

## 17.7 SPI Clock Control Logic

### 17.7.1 SPI Clock Phase and Polarity Control

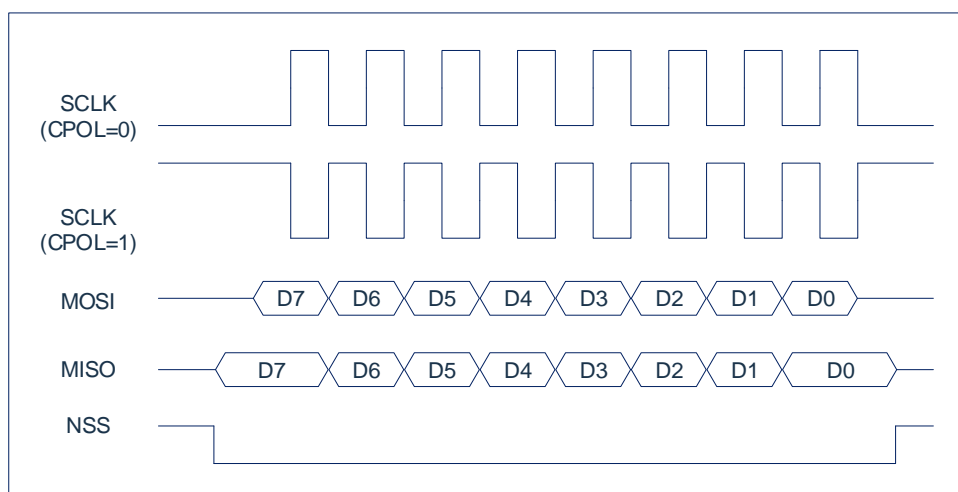
The software can choose to use either of the four combinations of two control bits (phase and polarity of the serial clock SCLK) in the SPI control register (SPCR). Clock polarity is specified by the CPOL control bit, and the CPOL control bit selection high or low level when the transmission is idle has no significant effect on the transmission format. The Clock Phase (CPHA) control bit selects one of two largely different transmission formats. The clock phase and polarity of the master SPI device and the communication slave device should be the same. In some cases, the phase and polarity are changed during transmission to enable the master device to communicate with a peripheral slave with different requirements. The flexibility of the SPI system enables direct connection to almost all existing synchronous serial peripherals.

### 17.7.2 SPI Transfer Format

During SPI transmission, data is sent simultaneously (serially shift out) and received (serially shift in). The serial clock line is synchronized with the shift and sampling of the two serial data lines. Slave selection line enables the individual selection of slave SPI devices; Slaves that are not selected do not interfere with SPI bus activity. On the SPI master device, the slave selection line may be selectively used to indicate multi-master bus competition.

### 17.7.3 CPHA=0 Transfer Format

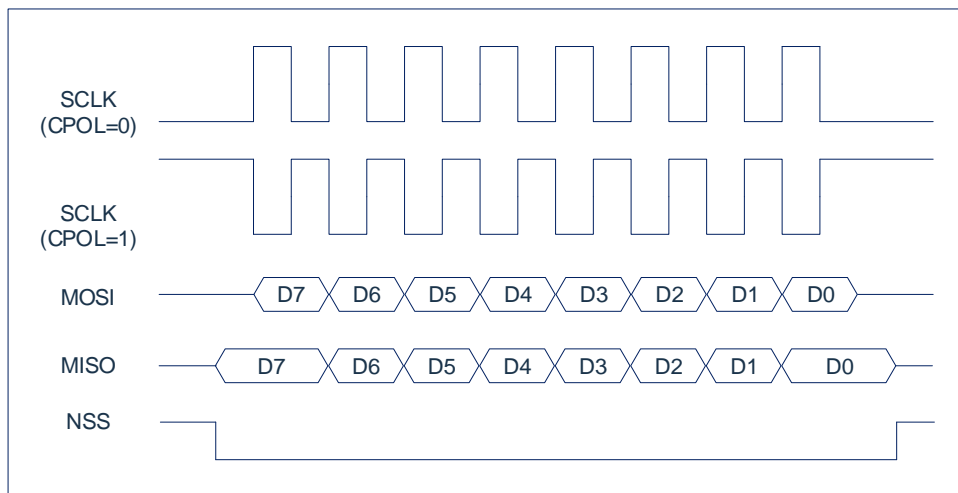
The following figure shows a timing diagram of an SPI transmission with a CPHA of 0. SCLK shows two waveforms: one for CPOL equal to 0 and one for CPOL equal to 1. The figure can be described as a master device or slave device timing diagram through SCLK, where the master in/out (MISO) and master out/out (MOSI) pins are directly connected between the master and slave. The MISO signal is output from the slave and the MOSI signal is the master output. The slave selection input of the NSS line is slave; The NSS pin of the master is not displayed, but is assumed to be invalid. The NSS pin of the master must be high. This timing diagram functionally describes how the transmission takes place; It should not be used as a substitute for datasheet parameter information.



When CPHA=0, the NSS line must unset and Reset between each consecutive serial byte. In addition, if the slave writes data to the SPI Data Register (SPDR) when the NSS is low, a write collision error is generated. When CPHA = 1, the NSS line may remain low between consecutive transmissions (which can always be kept low). In systems with a single fixed master and a single slave driving the MISO data line, this format is sometimes preferred.

### 17.7.4 CPHA=1 Transfer Format

The following figure is a timing diagram of the SPI transmission with CPHA = 1. SCLK shows two waveforms: one for CPOL=0 and one for CPOL=1. Since the SCLK, MISO, and MOSI pins are directly connected between the master and slave, this diagram can be interpreted as a master or slave timing diagram. The MISO signal is output from the slave and the MOSI signal is the master output. The slave selection input of the NSS line is slave; The NSS pin of the master is not displayed, but is assumed to be invalid. The NSS pin of the master must be high or must be reconfigured to a general-purpose output that does not affect the SPI.



## 17.8 SPI Data Transfer

### 17.8.1 SPI Transfer Starts

All SPI transfers are initiated and controlled by the master SPI device. As a slave device, the SPI will consider the transmission starting at the first SCLK edge or the falling edge of the NSS, depending on the CPHA format chosen. When CPHA = 0, the falling edge of the NSS indicates the start of the transmission. When CPHA = 1, the first edge on the SCLK indicates the start of the transfer. Regardless of the CPHA mode, the transmission can be aborted by making the NSS line high, but resetting the SPI slave logic and counter. The SELECTED SCLK rate has no effect on slave operation because the master's clock is controlling the transmission.

When SPI is configured as a master, the transfer is initiated by software that writes to the SPDR.

### 17.8.2 SPI Transfer End

When the SPIF flag is set to 1, the SPI transfer is technically completed, but depending on the configuration of the SPI system, there may be other tasks. Since the SPI bit rate does not affect the timing of the end period, only the fastest rate is considered in the discussion during the end period. When the SPI is configured as a master, the SPIF asserts at the end of the eighth SCLK cycle. When the CPHA is equal to 1, the SCLK is inactive in the last half of the eighth SCLK cycle.

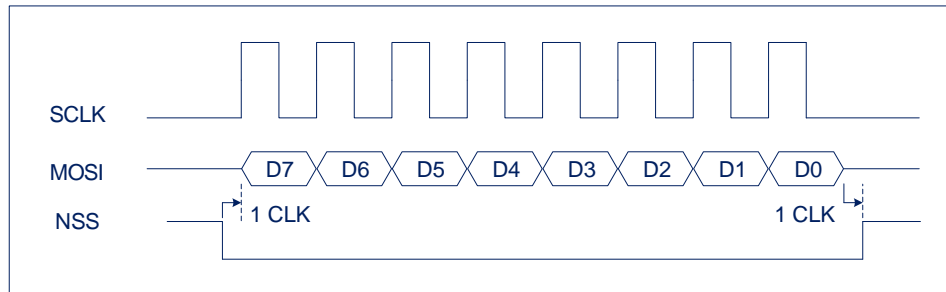
Because the SCLK line can be asynchronous with the slave's MCU clock, and the slave cannot access as much information as the master does to the SCLK cycle, the end cycle is different when the SPI is running as a slave. For example, when CPHA = 1, where the last SCLK edge occurs in the middle of the eighth SCLK cycle, the slave has no way of knowing when the previous SCLK cycle ended. For these reasons, the slave believes that after the last bit of the serial data is sampled, the transmission is complete, which corresponds to the middle of the eighth SCLK cycle.

The SPIF flag is set at the end of the transmission, but the NSS line is still low, and the slave does not enable new data to be written to the SPDR.

## 17.9 SPI Timing Diagram

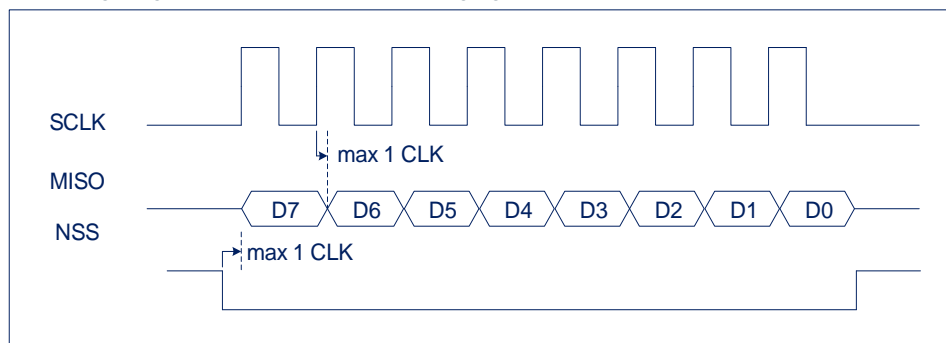
### 17.9.1 Master Mode Transmission

When the clock polarity of the SPI is CPOL=0 and the clock phase CPHA=1, the NSS in SPI master mode is the cLK of the system clock after the low level, the MOSI starts to output, and the DATA of the MOSI is output on the rising edge of the SCLK clock. The master mode timing diagram is shown in the following figure:



### 17.9.2 Slave Mode Transmission

When the clock polarity of the SPI is CPOL=0 and the clock phase is CPHA=1, the data on MISO starts to output after the falling edge of the NSS line. The MISO data output differs from the falling edge of the NSS by a maximum of 1 system clock CLK. The slave mode timing diagram is shown in the following figure:



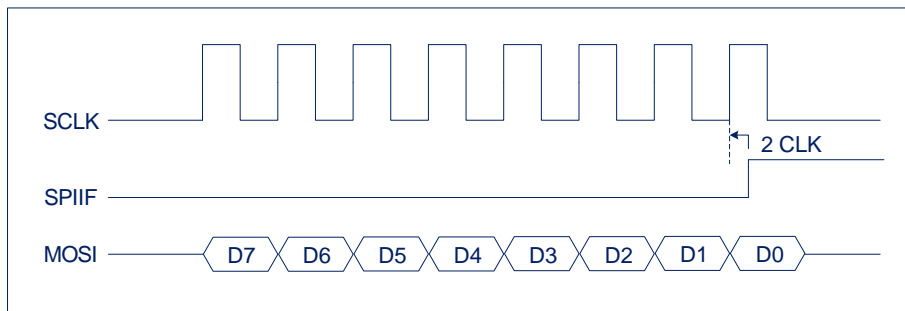
## 17.10 SPI Interrupt

The interrupt number of the SPI is 22, where the interrupt vector is 0x00B3. To enable an SPI interrupt, it must set its enable bit SPIIE to 1 and the global interrupt enable bit EA to 1.

If the SPI-related interrupt enables are all turned on, the CPU will enter the interrupt service program when the SPI global interrupt indicator bit SPIIF=1. The SPIIF operation properties are read-only and independent of the state of SPIIE.

After the SPI status register SPSR has either of the transmission completion flag SISIF and the write violation WCOL flag 1, the SPI global interrupt indicator bit SPIIF will be set to 1. SPIIF automatically clears 0 only if all three flag bits are 0.

When the clock polarity of the SPI is CPOL=0 and the clock phase is CPHA=1, the SPIIF in the SPI master mode generates cLKs after the rising edge of the eighth SCLK clock in each frame of data, and the timing diagram is shown in the following figure:



### 17.10.1 Interrupt Mask Register EIE2

0xAA	Bit7	Bit6	Bit5	Bit4	Bit3	Bit2	Bit1	Bit0
EIE2	SPIIE	I2CIE	WDTIE	ADCIE	PWMIE	--	ET4	ET3
R/W	R/W	R/W	R/W	R/W	R/W	R/W	R/W	R/W
Reset Value	0	0	0	0	0	0	0	0

- Bit7      SPIIE: SPI interrupt enable bit;  
1= Enable SPI interrupt;  
0= Disable SPI Interrupt.
- Bit6      I2CIE: I2C interrupt enable bit;  
1= Enable I<sup>2</sup>C interrupt;  
0= Disable I<sup>2</sup>C Interrupt.
- Bit5      WDTIE: WDT interrupt enable bit;  
1= Enable WDT overflow interrupt;  
0= Disable WDT overflow interrupt.
- Bit4      ADCIE: ADC interrupt enable bit;  
1= Enable ADC interrupt;  
0= Disabled ADC Interrupt.
- Bit3      PWMIE: PWM global interrupt enable bit;  
1= Enable all PWM interrupt;  
0= Disable all PWM interrupt.
- Bit2      -- Reserved, must be 0.
- Bit1      ET4: Timer4 interrupt enable bit;  
1= Enable Timer4 interrupt;  
0= Disable Timer4 Interrupt.
- Bit0      ET3: Timer3 interrupt enable bit;  
1= Enable Timer3 interrupt;  
0= Disable Timer3 Interrupt.

### 17.10.2 Interrupt Priority Control Register EIP2

0xB8	Bit7	Bit6	Bit5	Bit4	Bit3	Bit2	Bit1	Bit0
EIP2	PSPI	PI2C	PWDT	PADC	PPWM	--	PT4	PT3
R/W	R/W	R/W	R/W	R/W	R/W	R/W	R/W	R/W
Reset Value	0	0	0	0	0	0	0	0

- Bit7      PSPI: SPI interrupt priority control bit;  
           1= Set to High-level Interrupt;  
           0= Set to low-level interrupt.
- Bit6      PI2C: I2C interrupt priority control bit;  
           1= Set to High-level Interrupt;  
           0= Set to low-level interrupt.
- Bit5      PWDT: WDT interrupt priority control bit;  
           1= Set to High-level Interrupt;  
           0= Set to low-level interrupt.
- Bit4      PADC: ADC interrupt priority control bit;  
           1= Set to High-level Interrupt;  
           0= Set to low-level interrupt.
- Bit3      PPWM: PWM interrupt priority control bit;  
           1= Set to High-level Interrupt;  
           0= Set to low-level interrupt.
- Bit2      -- Reserved, must be 0.
- Bit1      PT4: TIMER4 interrupt priority control bit;  
           1= Set to High-level Interrupt;  
           0= Set to low-level interrupt.
- Bit0      PT3: TIMER3 interrupt priority control bit;  
           1= Set to High-level Interrupt;  
           0= Set to low-level interrupt.

### 17.10.3 Peripheral Interrupt Flag Bit Register EIF2

0xB2	Bit7	Bit6	Bit5	Bit4	Bit3	Bit2	Bit1	Bit0
EIF2	SPIIF	I2CIF	--	ADCIF	PWMIF	--	TF4	TF3
R/W	R	R	--	R/W	R	--	R/W	R/W
Reset Value	0	0	0	0	0	0	0	0

- Bit7      SPIIF: SPI global interrupt indicator bit, read-only;  
           1= SPI generates an interrupt, (this bit is automatically cleared after the specific interrupt flag is cleared);  
           0= The SPI did not produce an interrupt.
- Bit6      I2CIF: I2C global interrupt indicator bit, read-only;  
           1= I2C produces an interrupt, (after clearing the specific interrupt flag, this bit is automatically cleared);  
           0= I2C did not produce an interrupt.
- Bit5      -- Reserved, must be 0.
- Bit4      ADCIF: ADC interrupt flag bit;  
           1= ADC conversion is completed, and software zeroing is required;  
           0= The ADC conversion was not completed.
- Bit3      PWMIF: PWM global interrupt indicator bit, read-only;  
           1= PWM generates an interrupt, (after the specific interrupt flag is cleared, this bit is automatically cleared);  
           0= The PWM did not produce an interrupt.
- Bit2      -- Reserved, must be 0.
- Bit1      TF4: Timer4 timer overflow interrupt flag bit;  
           1= Timer4 timer overflow, the hardware is automatically cleared when entering the interrupt service program, and the software can also be cleared;  
           0= The Timer4 timer has no overflow.
- Bit0      TF3: Timer3 timer overflow interrupt flag bit;  
           1= Timer3 timer overflow, when entering the interrupt service program, the hardware is automatically cleared, and the software can also be cleared;  
           0= The Timer3 timer has no overflow.



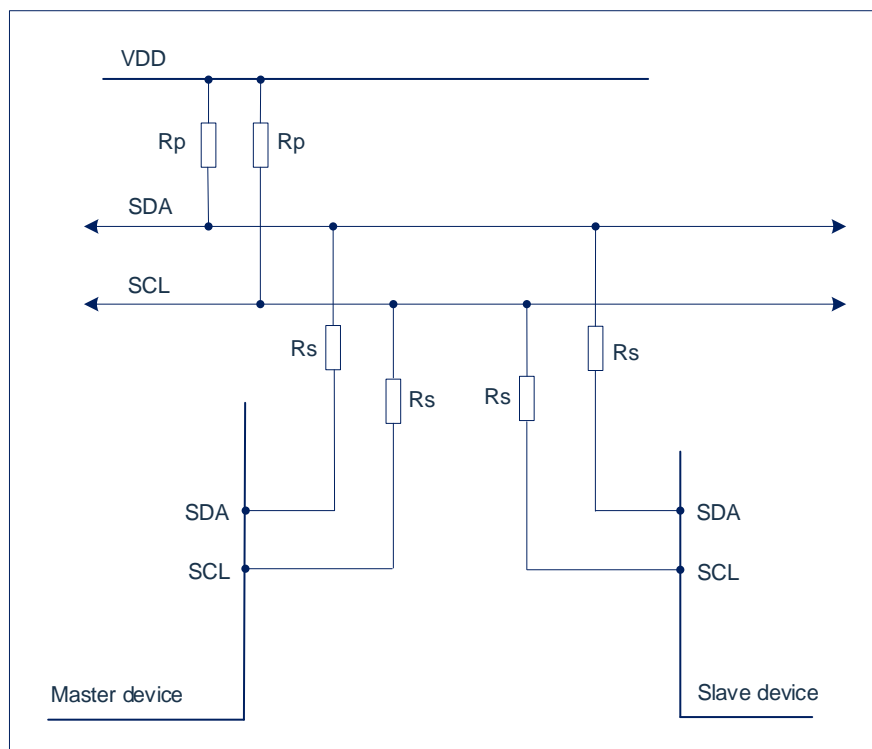
## 18. I<sup>2</sup>C Module

### 18.1 Overview

The module provides an interface between the microcontroller and the I<sup>2</sup>C bus, as shown in the connection diagram below, and supports arbitration and clock synchronization to enable operation in multi-master systems. I<sup>2</sup>C supports normal, fast mode.

The I<sup>2</sup>C module has the following characteristics:

- ◆ Support 4 working modes: master transmission, master reception, slave transmission, slave reception.
- ◆ Supports 2 transfer speed modes:
  - Standard (up to 100Kb/s);
  - Fast (up to 400Kb/s);
- ◆ Perform arbitration and clock synchronization.
- ◆ Support for multi-master systems.
- ◆ The master mode supports 7-bit addressing mode and 10-bit addressing mode on the I<sup>2</sup>C bus (software supported).
- ◆ Slave mode supports 7-bit addressing mode on the I<sup>2</sup>C bus.
- ◆ Interrupt generation.
- ◆ Enables operation over a wide clock frequency range (built-in 8-bit timer).



## 18.2 I2C Port Configuration

If the I2C function is used, the corresponding port should first be configured as an SCL, SDA channel. For example, the P04, P05 ports are configured as I2C function:

P04CFG=0x0C; Select P04 to configure as an SCL channel

P05CFG=0x0D; Select P05 to configure as an SDA channel

After configuring I<sup>2</sup>C channel, this group of ports is in open drain state by default. You can configure whether to enable SCL, internal pull-up resistance of SDA port, or add pull-up resistance outside the chip through PxUP.

In the master control mode, IIC outputs SCL to the slave. After sending the address or data, the slave needs to pull the SCL down and send back the corresponding response signal to the host. The host needs to read back the SCL port line status to detect whether the slave releases the SCL to determine whether the next frame data transmission is required. If the pull-up resistance or board-level parasitic capacitance of SCL is larger, the reading back time will be longer, which will affect the communication speed of IIC. Please refer to IIC application manual for details.

## 18.3 I2C Master Mode

There are six registers for connecting to the master: control, status, slave address, transmit data, receive data, and timer period registers.

register		address
write	Read	
Slave address register I2CMSA	Slave address register I2CMSA	0xF4
Master mode controls register I2CMCR	Master mode status register I2CMSR	0xF5
The master transmits data register I2CMBUF	The master receives data register I2CMBUF	0xF6
Timing period register I2CMTP	Timing period register I2CMTP	0xF7

The master mode control register I2CMCR shares a register address with the master mode status register I2CMSR, but is physically two different registers.

The master transmit data register shares a register address with the master receive data register, and the write operation accesses the transmit register I2CMBUF and the read operation accesses the receiving register I2CMBUF.

Write operations are written as control registers, and read operations are read as status registers.

### 18.3.1 I2C Master Mode Timing Period Register

To generate a wide range of SCL frequencies, the module has a built-in 8-bit timer. Used for standard and fast transfers.

TIMER\_PRD ≠ 0, the ideal clock period of the SCL:  $2 * (1 + \text{TIMER\_PRD}) * 10^* \text{Ts}_{\text{sys}}$

TIMER\_PRD = 0, the ideal clock period of the SCL:  $3 * 10^* \text{Ts}_{\text{sys}}$

Refer to IIC Application Manual for the specific calculation formula of SCL.

0xF7	Bit7	Bit6	Bit5	Bit4	Bit3	Bit2	Bit1	Bit0
I2CMTP	--	MTP6	MTP5	MTP4	MTP3	MTP2	MTP1	MTP0
R/W	R/W	R/W	R/W	R/W	R/W	R/W	R/W	R/W
Reset Value	0	0	0	0	0	0	0	1

Bit7 -- Reserved, must be 0.

Bit6~Bit0 MTP<6:0>: Bit 6-0 of the period timer register of standard and fast mode:TIMER\_PRD[6:0].

### 18.3.2 I2C Master Mode Control and Status Registers

The control registers include 4 bits: RUN, START, STOP, ACK bits. The START bit will produce the START or RESTART START condition. The STOP bit determines whether the data transfer stops at the end of the cycle, or continues. To generate a single transmission cycle, the slave address register writes to the desired address, the R/S bit is set to 0, and the control register writes to ACK=x, STOP=1, START=1, RUN=1 (I2CMCR=xxx0\_x111) to perform the operation and stop. An interrupt occurs when the operation completes (or an error occurs). Data can be read from the receiving data register.

When I2C is operating in master mode, the ACK bit must be set to 1. This will cause the I2C-Bus controller to automatically send a reply after each byte. When the I2C-bus controller no longer needs to send data from the slave, the bit must clear 0.

Master mode controls registers

0xF5	Bit7	Bit6	Bit5	Bit4	Bit3	Bit2	Bit1	Bit0
I2CMCR	RSTS	--	--	--	ACK	STOP	START	RUN
R/W	In	R	R	In	In	In	In	In
Reset Value	0	0	1	0	0	0	0	0

Bit7	RSTS: I2C active module reset control position; 1= Reset the master module (I2C registers for the entire master module, including I2CMSR); 0= The interrupt flag bit in I2C master mode is clear to 0.
Bit6~Bit5	-- Reserved .
Bit4	-- Reserved, must be 0.
Bit3	ACK: acknowledge enable bit; 1= Enable; 0= Disable.
Bit2	STOP: Stop enable bit; 1= Enable; 0= Disable.
Bit1	START: Start enable bit; 1= Enable; 0= Disable.
Bit0	RUN: Run enable bit; 1= Enable; 0= Disable.

Various operations in master mode can be implemented through the following list of control bit combinations:

START: Sends a start signal.

SEND: Send data or address.

RECEIVE: Receives data.

STOP: Send end signal.

Combination of control bits (IDLE state)

R/S	ACK	STOP	START	RUN	OPERATION
0	-	0	1	1	START followed by SEND (master remains in send mode)
0	-	1	1	1	START is followed by SEND and STOP
1	0	0	1	1	Non-responsive reception after START (master remains in receiver mode)
1	0	1	1	1	START is followed by RECEIVE and STOP
1	1	0	1	1	START followed by RECEIVE (master remains in receiver mode)
1	1	1	1	1	Combinations are prohibited
0	0	0	0	1	Combinations are prohibited

Combination of control bits (master send status)

R/S	ACK	STOP	START	RUN	OPERATION
-	-	0	0	1	Send operation
-	-	1	0	0	Stop it
-	-	1	0	1	SEND is followed by STOP
0	-	0	1	1	Repeat START followed by SEND
0	-	1	1	1	Repeat START, followed by SEND and STOP
1	0	0	1	1	Repeat the START condition followed by the response TOCAIVE operation (Master remains in receiver mode)
1	0	1	1	1	Repeat THEART, followed by the SEND and STOP conditions
1	1	0	1	1	Repeat the START condition followed by RECEIVE (Master remains in receiver mode)
1	1	1	1	1	Combinations are prohibited

Combination of control bits (master receive state)

R/S	ACK	STOP	START	RUN	OPERATION
-	0	0	0	1	Respond operation with answers (Master remains in receiver mode)
-	-	1	0	0	STOP
-	0	1	0	1	RECEIVE is followed by STOP
-	1	0	0	1	RECEIVE operation (Master remains in receiver mode)
-	1	1	0	1	Combinations are prohibited
1	0	0	1	1	Repeat START, followed by a response RECEIVE operation (Master remains in receiver mode)
1	0	1	1	1	Repeat START, followed by RECEIVE and STOP
1	1	0	1	1	Repeat START followed by RECEIVE (Master remains in receiver mode)
0	-	0	1	1	Repeat START followed by SEND (Master remains in transmitter mode)
0	-	1	1	1	Repeat START, followed by SEND and STOP

## Master mode status register I2CMSR

0xF5	Bit7	Bit6	Bit5	Bit4	Bit3	Bit2	Bit1	Bit0
I2CMSR	I2CMIF	BUS_BUSY	IDLE	ARB_LOST	DATA_ACK	ADD_ACK	ERROR	BUSY
R/W	R	R	R	R	R	R	R	R
Reset Value	0	0	1	0	0	0	0	0

- Bit7            I2CMIF: I2C master mode interrupt flag bit;  
                   1= In master mode, send/receive completes, or a transmission error occurs. (Software zeroing, write 0 to clear);  
                   0= No Interrupt was generated.
- Bit6            BUS\_BUSY: I2C-bus busy flag bit in master mode/slave mode;  
                   1= The I2C-bus is busy and cannot be transmitted (cleared by the start position 1 on the bus, stop condition).  
                   0= --
- Bit5            IDLE: I2C master mode idle flag bit;  
                   1= is idle;  
                   0= is the working status.
- Bit4            ARB\_LOST: I2C Master Mode Arbitration Flag Bit;  
                   1= Bus control is lost.  
                   0= --
- Bit3            DATA\_ACK: I2C master mode transmits data response flag bits;  
                   1= The last time the data was sent was not answered.  
                   0= --
- Bit2            ADD\_ACK: I2C Master Mode Addressing Answer Flag Bit;  
                   1= The last addressing did not answer.  
                   0= --
- Bit1            ERROR: I2C master mode error flag bit;  
                   1= Addressing slaves does not answer/send data without answer/I<sup>2</sup>C-bus quorum conflicts.  
                   0= --
- Bit0            BUSY: I2C master module busy flag bit;  
                   1= The I2C module is transferring data.  
                   0= --

### 18.3.3 I2C Slave Address Register

The slave address register consists of 8 bits: 7 bits of address (A6-A0) and receive/transmit bits R/S. The R/S bit determines whether the next operation is to receive (1) or send (0).

Master mode slave address register I2CMSA

0xF4	Bit7	Bit6	Bit5	Bit4	Bit3	Bit2	Bit1	Bit0
I2CMSA	SA6	SA5	SA4	SA3	SA2	SA1	SA0	R/S
R/W	R/W	R/W	R/W	R/W	R/W	R/W	R/W	R/W
Reset Value	0	0	0	0	0	0	0	0

Bit7~Bit1      AT<6:0>: I2C master mode slave address.  
 Bit0            R/S: I2C master mode after sending slave address after receiving/sending status selection bits;  
                   1= Receive data after correct addressing;  
                   0= The data is sent after correct addressing.

### 18.3.4 I2C Master Mode Transmit and Receive Data Registers

The transmit data register consists of eight data bits that will be sent on the bus on the next send or burst send operation, the first of which is MD7 (MSB).

Master mode data cache register I2CMBUF

0xF6	Bit7	Bit6	Bit5	Bit4	Bit3	Bit2	Bit1	Bit0
I2CMBUF	MD7	MD6	MD5	MD4	MD3	MD2	MD1	MD0
R/W	R/W	R/W	R/W	R/W	R/W	R/W	R/W	R/W
Reset Value	0	0	0	0	0	0	0	0

Bit7~Bit0      MD<7:0>: Send/receive data in I2C master mode.

## 18.4 I2C Slave Mode

There are five registers for connecting to the target device: self address, control, status, send data, and receive data registers.

register		address
write	Read	
Self address register I2CSADR	Self address register I2CSADR	0xF1
Control register I2CSCR	Status register I2CSSR	0xF2
Send data I2CSBUF	Receive data I2CSBUF	0xF3

### 18.4.1 I2C Self Address Register I2CSADR

The self address register consists of seven address bits that identify the I2C core on the I2C bus. This register can R/W addresses.

Self address register I2CSADR

0xF1	Bit7	Bit6	Bit5	Bit4	Bit3	Bit2	Bit1	Bit0
I2CSADR	--	SA6	SA5	SA4	SA3	SA2	SA1	SA0
R/W	R	R/W	R/W	R/W	R/W	R/W	R/W	R/W
Reset Value	0	0	0	0	0	0	0	0

Bit7                      -- Reserved, must be 0.  
 Bit6~Bit0              AT<6:0>: The self address of the I2C slave mode.

### 18.4.2 I2C Slave Mode Control and Status Registers I2CSCR/I2CSSR

Slave mode control registers and slave mode status registers occupy a register address, using different operations to access the two registers separately:

Write operation: Write to I2CSCR (write only)

Read operation: Read I2CSSR (read-only)

The control register consists of two bits: RSTS and DA bits. The RSTS bit controls the reset of the entire I2C slave module, and when the I2C bus encounters some problem, the software enables the bit to reinitialize the I2CS. The DA bit enables and disables I2CS device operation. Reading this address places the status register on the data bus.

Slave mode control register I2CSCR

0xF2	Bit7	Bit6	Bit5	Bit4	Bit3	Bit2	Bit1	Bit0
I2CSCR	RSTS	--	--	--	--	--	--	OF
R/W	In	R	R	R	R	R	R	In
Reset Value	0	0	0	0	0	0	0	0

Bit7                      RSTS: I2C slave module reset control bit;  
                                  1= Reset slave module;  
                                  0= No impact.  
 Bit6~Bit1              -- Reserved, must be 0.  
 Bit0                      OF: I2C slave mode enable bit;  
                                  1= Enable;  
                                  0= Disable.

The status register consists of three bits: SENDFIN bit, RREQ bit, TREQ bit. The SENDFIN bit of Send Complete indicates that the Master I2C controller has completed the receipt of data during a single or continuous I2CS transmit operation. The Receive Request RREQ bit indicates that the I2CS device has received a data byte from the I2C master, and the I2CS device should read a data byte from the receiving data register I2CSBUF. The Send Request TREQ bit indicates that the I2CS device is addressed as a slave transmitter, and the I2CS device should write a byte of data to the transmit data register I2CSBUF. If the I2C interrupt enable is on, any of the 3 flags at 1 will produce an interrupt.

The bus busy flag in the slave mode is judged by bit6 (BUS\_BUSY) of the master mode status register I2CMSR, which is 0x20 when the bus is idle, the I2CMSR register is 0x60 when the start condition is generated and the stop condition is generated, and the I2CMSR is 0x20 when the stop condition is generated.

Slave mode status register I2CSSR

0xF2	Bit7	Bit6	Bit5	Bit4	Bit3	Bit2	Bit1	Bit0
I2CSSR	--	--	--	--	--	SEDFIN	TREQ	RREQ
R/W	--	--	--	--	--	R	R	R
Reset Value	0	0	0	0	0	0	0	0

Bit7~Bit3 -- Reserved, must be 0.

Bit2 SENDFIN: I2C slave mode sends the operation completion flag bit, read-only.

1= The data is no longer required by the master device, the TREQ is no longer set to 1, and the data transfer has been completed. (Automatic zeroing after reading I2CSCR).

0= --

Bit1 TREQ: I2C slave mode prepares to send flag bits, read-only.

1= As the transmitting device has been addressed or the master device is ready to receive data. (Auto zero after writing I2CSBUF).

0= --

Bit0 RREQ: I2C slave mode receives completion flag bits, read-only.

1= Received. (Automatic zeroing after reading I2CSBUF).

0= Not received.

### 18.4.3 I2C Slave Mode Transmit and Receive Buffer Registers I2CSBUF

0xF3	Bit7	Bit6	Bit5	Bit4	Bit3	Bit2	Bit1	Bit0
I2CSBUF	I2CSBUF7	I2CSBUF6	I2CSBUF5	I2CSBUF4	I2CSBUF3	I2CSBUF2	I2CSBUF1	I2CSBUF0
R/W	R/W	R/W	R/W	R/W	R/W	R/W	R/W	R/W
Reset Value	0	0	0	0	0	0	0	0

Bit7~Bit0 I2CSBUF<7:0>: data sent or received by I2C;

Write operation: Write the data that will be sent (the order of sending is from the high bit to the low bit);

Read operation: Data that has been received.



## 18.5 I2C Interrupt

The interrupt number of I2C is 21, and its interrupt vector is 0x00AB. To enable I2C interrupts, the enable bit I2CIE must be set to 1, and the overall interrupt enable bit EA must be set to 1.

If the I2C related interrupt enable is turned on, and the I2C total interrupt indicator bit I2CIF=1, the CPU will enter the interrupt service routine. The I2CIF operation attribute is read-only and has nothing to do with the status of I2CIE.

I2C master mode interrupt flag bit I2CMIF, send operation completed flag bit SENDFIN in slave mode, slave mode ready to send flag bit TREQ, slave mode receive completion flag bit RREQ when any one is 1, the I2C total interrupt indicator bit I2CIF will be set to 1. Only when these 4 flag bits are all 0, I2CIF is automatically cleared to 0.

### 18.5.1 Interrupt Mask Register EIE2

0xAA	Bit7	Bit6	Bit5	Bit4	Bit3	Bit2	Bit1	Bit0
EIE2	SPIIE	I2CIE	WDTIE	ADCIE	PWMIE	--	ET4	ET3
R/W	R/W	R/W	R/W	R/W	R/W	R/W	R/W	R/W
Reset Value	0	0	0	0	0	0	0	0

- Bit7      SPIIE: SPI interrupt enable bit;  
           1= Enable SPI interrupt;  
           0= Disabled SPI Interrupt.
- Bit6      I2CIE: I2C interrupt enable bit;  
           1= Enable I2C interrupt;  
           0= Disable I2C Interrupt.
- Bit5      WDTIE: WDT interrupt enable bit;  
           1= Enable WDT overflow interrupt;  
           0= Disable WDT overflow interrupt.
- Bit4      ADCIE: ADC interrupt enable bit;  
           1= Enable ADC interrupt;  
           0= Disable ADC Interrupt.
- Bit3      PWMIE: PWM global interrupt enable bit;  
           1= Enable all PWM interrupt;  
           0= Disable all PWM interrupt.
- Bit2      -- Reserved, must be 0.
- Bit1      ET4: Timer4 interrupt enable bit;  
           1= Enable Timer4 interrupt;  
           0= Disable Timer4 Interrupt.
- Bit0      ET3: Timer3 interrupt enable bit;  
           1= Enable Timer3 interrupt;  
           0= Disable Timer3 Interrupt.

### 18.5.2 Interrupt Priority Control Register EIP2

0xBA	Bit7	Bit6	Bit5	Bit4	Bit3	Bit2	Bit1	Bit0
EIP2	PSPI	PI2C	PWDT	PADC	PPWM	--	PT4	PT3
R/W	R/W	R/W	R/W	R/W	R/W	R/W	R/W	R/W
Reset Value	0	0	0	0	0	0	0	0

- Bit7      PSPI: SPI interrupt priority control bit;  
           1= Set to High-level Interrupt;  
           0= Set to low-level interrupt.
- Bit6      PI2C: I<sup>2</sup>C interrupt priority control bit;  
           1= Set to High-level Interrupt;  
           0= Set to low-level interrupt.
- Bit5      PWDT: WDT interrupt priority control bit;  
           1= Set to High-level Interrupt;  
           0= Set to low-level interrupt.
- Bit4      PADC: ADC interrupt priority control bit;  
           1= Set to High-level Interrupt;  
           0= Set to low-level interrupt.
- Bit3      PPWM: PWM interrupt priority control bit;  
           1= Set to High-level Interrupt;  
           0= Set to low-level interrupt.
- Bit2      -- Reserved, must be 0.
- Bit1      PT4: TIMER4 interrupt priority control bit;  
           1= Set to High-level Interrupt;  
           0= Set to low-level interrupt.
- Bit0      PT3: TIMER3 interrupt priority control bit;  
           1= Set to High-level Interrupt;  
           0= Set to low-level interrupt.

### 18.5.3 Peripheral Interrupt Flag Bit Register EIF2

0xB2	Bit7	Bit6	Bit5	Bit4	Bit3	Bit2	Bit1	Bit0
EIF2	SPIIF	I2CIF	--	ADCIF	PWMIF	--	TF4	TF3
R/W	R	R	--	R/W	R	--	R/W	R/W
Reset Value	0	0	0	0	0	0	0	0

- Bit7      SPIIF: SPI global interrupt indicator bit, read-only;  
           1= SPI generates an interrupt, (this bit is automatically cleared after the specific interrupt flag is cleared);  
           0= The SPI did not produce an interrupt.
- Bit6      I2CIF: I2C global interrupt indicator bit, read-only;  
           1= I2C produces an interrupt, (after clearing the specific interrupt flag, this bit is automatically cleared);  
           0= I2C did not produce an interrupt.
- Bit5      -- Reserved, must be 0.
- Bit4      ADCIF: ADC interrupt flag bit;  
           1= ADC conversion is completed, and software zeroing is required;  
           0= The ADC conversion was not completed.
- Bit3      PWMIF: PWM global interrupt indicator bit, read-only;  
           1= PWM generates an interrupt, (after the specific interrupt flag is cleared, this bit is automatically cleared);  
           0= The PWM did not produce an interrupt.
- Bit2      -- Reserved, must be 0.
- Bit1      TF4: Timer4 timer overflow interrupt flag bit;  
           1= Timer4 timer overflow, the hardware is automatically cleared when entering the interrupt service program, and the software can also be cleared;  
           0= The Timer4 timer has no overflow.
- Bit0      TF3: Timer3 timer overflow interrupt flag bit;  
           1= Timer3 timer overflow, when entering the interrupt service program, the hardware is automatically cleared, and the software can also be cleared;  
           0= The Timer3 timer has no overflow.

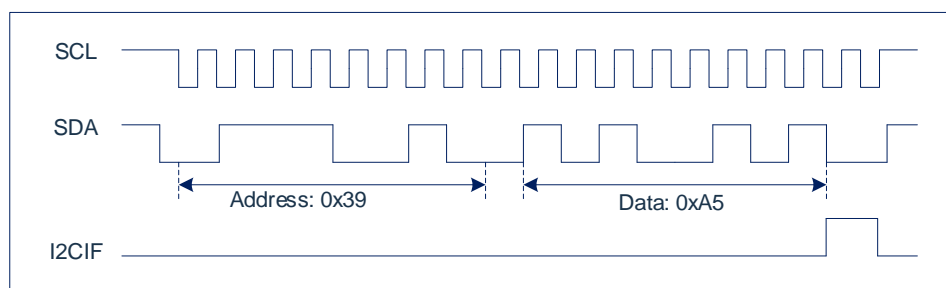
## 18.6 I2C Slave Mode Transmission Mode

All rendered waveforms in this section default I2C to have their own address 0x39 ("00111001").

### 18.6.1 Single Receive

The following figure shows the sequence of signals received by I2C during a single data session. Single receive sequence:

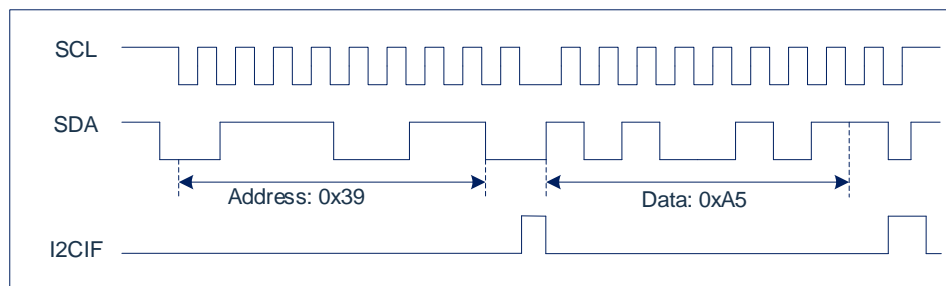
- Starting conditions;
- I2C is addressed by the I2C host as a receiver;
- The address is confirmed by I2C;
- Data received by I2C;
- Data confirmed by I2C;
- Stopping conditions.



## 18.6.2 Single Send

The following figure shows the sequence of signals sent by I2C during a single data session. Single send sequence:

- Starting conditions;
- I2C is addressed by the I2C master as a transmitter;
- The address is confirmed by I2C;
- Data is transmitted by I2C;
- The data is not confirmed by the I2C master;
- Stopping conditions.

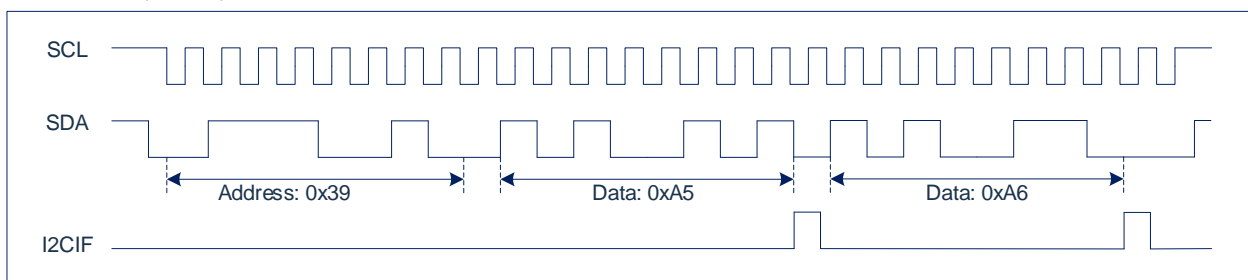


### 18.6.3 Continuous Reception

The following figure shows the sequence of signals received by I2C during continuous data reception. Continuous receive sequence:

- Start conditions.
- I2C is addressed by the I2C master as a receiver.
- The address is confirmed by I2C.
- 1) The data is received by I2C.
- 2) The data is confirmed by I2C.
- Stopping conditions.

Sequences 1) and 2) repeat until the stop condition occurs.

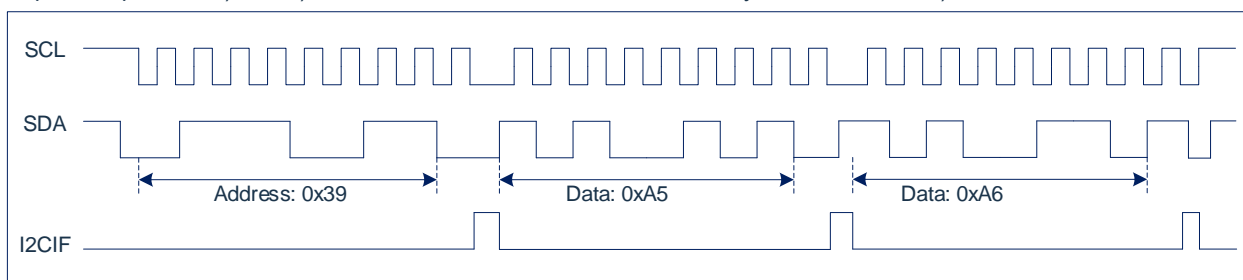


### 18.6.4 Continuous Sending

The following figure shows the sequence of signals sent by I<sup>2</sup>C during continuous data transmission. Consecutive send sequences:

- Send conditions.
- I<sup>2</sup>C is addressed by the I<sup>2</sup>C master as a transmitter.
- The address is confirmed by I<sup>2</sup>C.
- 1) The data is sent by I<sup>2</sup>C.
- 2) Data I<sup>2</sup>C master acknowledges data.
- 3) The final data is not confirmed by the I<sup>2</sup>C master.
- Stopping conditions.

Repeat sequences 1) and 2) until the last data sent is not confirmed by the I<sup>2</sup>C master 3).



## 19. UARTn Module

### 19.1 Overview

The Universal Synchronous Asynchronous Transceiver (UART0/UART1) provides a flexible way to exchange full-duplex data with external devices.

UARTn has two physically separate receive and transmit buffers, SBUF<sub>n</sub>, which distinguish between operations on a receive buffer or a transmit buffer by reading and writing instructions to SBUF<sub>n</sub>. When writing SBUF<sub>n</sub>, data is loaded into the send buffer; When reading SBUF<sub>n</sub>, the contents of the receive buffer are read.

UARTn has four modes of operation: one synchronous mode and three asynchronous modes. Modes 2 and 3 have a multi-machine communication function that is enabled by placing SM<sub>n</sub>2 position 1 in the SCONN register. The host processor first sends the address byte that identifies the target slave. Address bytes are different from data bytes in that bit 9 in the address byte is 1 and data bytes are 0. At SM<sub>n</sub>2=1, the slave is not interrupted by bytes of data. The address byte will interrupt all slaves. The addressed slave will clear its SM<sub>n</sub>2 bits and prepare to receive incoming bytes of data. The unaddressed slave sets smn2 to 1 and ignores the incoming data.

### 19.2 UARTn Port Configuration

Before using the UARTn module, you need to configure the corresponding port as the TXD<sub>n</sub> and RXD<sub>n</sub> channels of UARTn. For example, the port configuration of UART0/1 is as follows:

P25CFG = 0x08; Select P25 to configure as the TXD0 channel

P26CFG = 0x09; Select the P26 to configure the RXD0 channel, and the port is automatically configured for open-drain and pull-up resistors in master sync mode.

P35CFG = 0x0A; Select the P35 to configure the TXD1 channel

P21CFG = 0x0B; Select the P21 to configure the RXD1 channel, and the port is automatically configured for open-drain and pull-up resistors in master sync mode.

When using, it is recommended to set the working mode first, and then configure the corresponding port as a serial port.



## 19.3 UARTn Baud Rate

UARTn In mode 0, the baud rate is fixed to the twelfth-way frequency of the system clock ( $F_{sys}/12$ ); In mode 2, the baud rate is fixed to the system clock's division 32 or 64 ( $F_{sys}/32$ ,  $F_{sys}/64$ ); In modes 1 and 3, the baud rate is generated by the timer Timer1 or Timer4 or Timer2 or BRT module, and the chip chooses which timer to use as the baud rate clock source is determined by the register FUNCCR.

### 19.3.1 Baud Rate Clock Source

UARTn In mode 1 and mode 3, the baud rate clock source selection is as follows:

{FUNCCR[2], FUNCCR[0]}=00, select Timer1 as the baud rate generator for UART0;

{FUNCCR[2], FUNCCR[0]}=01, select Timer4 as the baud rate generator for UART0;

{FUNCCR[2], FUNCCR[0]}=10, select Timer2 as the baud rate generator for UART0;

{FUNCCR[2], FUNCCR[0]}=11, select BRT as the baud rate generator for UART0.

{FUNCCR[3], FUNCCR[1]}=00, select Timer1 as the baud rate generator for UART1;

{FUNCCR[3], FUNCCR[1]}=01, select Timer4 as the baud rate generator for UART1;

{FUNCCR[3], FUNCCR[1]}=10, select Timer2 as the baud rate generator for UART1;

{FUNCCR[3], FUNCCR[1]}=11, SELECT BRT AS THE BAUD RATE GENERATOR FOR UART1.

### 19.3.2 Baud Rate Calculation

In mode 1 and mode 3, the baud rate calculation formula for different clock sources is as follows:

1) Timer1 or Timer4 works in 8-bit auto-reload mode with baud rate formula:

$$BaudRate = \frac{F_{sys} \times 2^{SMODn}}{32 \times (4 \times 3^{1-TxM}) \times (256-THx)} \quad (x=1,4)$$

SMODn is the baud rate select bit and is set by the register PCON. T1M is the timer 1 clock select bit, set by register CKCON[4], T4M is the timer 4 clock select bit, set by register T34MOD[6]. i.e. the value of Timer1 or Timer4 at the corresponding baud rate TH1/TH4 should be set to:

$$THx = 256 - \frac{F_{sys} \times 2^{SMODn}}{32 \times (4 \times 3^{1-TxM}) \times BaudRate} \quad (x=1,4)$$

2) Timer2 works in the formula of baud rate in overflow auto Reload mode:

$$BaudRate = \frac{F_{sys} \times 2^{SMODn}}{32 \times (12 \times 2^{T2PS}) \times (65536 - \{RLDH, RLDL\})}$$

T2PS is a timer 2 clock prescaler selection bit set by register T2CON[7]. That is, the value of Timer2 at the corresponding baud rate should be set to: {RLDH, RLDL}

$$\{RLDH, RLDL\} = 65536 - \frac{F_{sys} \times 2^{SMODn}}{32 \times (12 \times 2^{T2PS}) \times BaudRate}$$

3) When BRT is used as a baud rate generator, the baud rate formula:

$$BaudRate = \frac{F_{sys} \times 2^{SMODn}}{32 \times (65536 - \{BRTDH, BRTDL\}) \times 2^{BRTCKDIV}}$$

BRTCKDIV is a BRT timer prescale selection bit, set by the register BRTCON. That is, the value of the BRT at the corresponding baud rate should be set to: {BRTDH, BRTDL}

$$\{BRTDH, BRTDL\} = 65536 - \frac{F_{sys} \times 2^{SMODn}}{32 \times 2^{BRTCKDIV} \times BaudRate}$$

### 19.3.3 Baud Rate Error

In mode 1 and mode 3, UARTn selects different baud rate clock sources, and the errors at different baud rates are as follows:

Table 1) and 2) are some of the baud rate information in the variable baud rate mode, the timer 1/4 of the 8-bit automatic reload mode. Table 3) and 4) show the BRT timer overflow rate in variable baud rate mode as part of the baud rate information of the UART clock source.

1) SMODn=0, T1M=1/T4M=1

baud rate	Fsys=8MHz			Fsys=16MHz			Fsys=24MHz			Fsys=48MHz		
	{TH1, TH4}	Current Rate	% Error	{TH1, TH4}	Current Rate	% Error	{TH1, TH4}	Current Rate	% Error	{TH1, TH4}	Current Rate	% Error
4800	243	4808	-0.16	230	4808	-0.16	217	4808	-0.16	178	4808	-0.16
9600	--	--	--	247	9615	-0.16	236	9375	2.34	217	9615	-0.16
19200	--	--	--	--	--	--	246	18750	2.34	236	18750	2.34
38400	--	--	--	--	--	--	251	37500	2.34	246	37500	2.34
115200	--	--	--	--	--	--	--	--	--	--	--	--
250000	--	--	--	--	--	--	--	--	--	--	--	--
500000	--	--	--	--	--	--	--	--	--	--	--	--

2) SMODn=1, T1M=1/T4M=1

baud rate	Fsys=8MHz			Fsys=16MHz			Fsys=24MHz			Fsys=48MHz		
	{TH1, TH4}	Current Rate	% Error	{TH1, TH4}	Current Rate	% Error	{TH1, TH4}	Current Rate	% Error	{TH1, TH4}	Current Rate	% Error
4800	230	4808	-0.16	204	4808	-0.16	178	4808	-0.16	100	4808	-0.16
9600	243	9615	-0.16	230	9615	-0.16	217	9615	-0.16	178	9615	-0.16
19200	--	--	--	243	19230	-0.16	236	18750	2.34	217	19231	-0.16
38400	--	--	--	--	--	--	246	37500	2.34	236	37500	2.34
115200	--	--	--	--	--	--	--	--	--	--	--	--
250000	--	--	--	--	--	--	--	--	--	--	--	--
500000	--	--	--	--	--	--	--	--	--	--	--	--

3) SMODn=0, BRTCKDIV=0

baud rate	Fsys=8MHz			Fsys=16MHz			Fsys=24MHz			Fsys=48MHz		
	{BRTH, BRTL}	Current Rate	% Error	{BRTH, BRTL}	Current Rate	% Error	{BRTH, BRTL}	Current Rate	% Error	{BRTH, BRTL}	Current Rate	% Error
4800	65484	4808	-0.16	65432	4808	-0.16	65380	4808	-0.16	65224	4808	-0.16
9600	65510	9615	-0.16	65484	9615	-0.16	65458	9615	-0.16	65380	9615	-0.16
19200	65523	19231	-0.16	65510	19231	-0.16	65497	19231	-0.16	65458	19231	-0.16
38400	--	--	--	65523	38462	-0.16	65516	37500	2.34	65497	38462	-0.16
115200	--	--	--	--	--	--	--	--	--	65523	115385	-0.16
250000	--	--	--	--	--	--	--	--	--	65530	250000	0
500000	--	--	--	--	--	--	--	--	--	65533	500000	0

## 4) SMODn=1, BRTCKDIV=0

baud rate	Fsys=8MHz			Fsys=16MHz			Fsys=24MHz			Fsys=48MHz		
	{BRTH, BRTL}	Current Rate	% Error	{BRTH, BRTL}	Current Rate	% Error	{BRTH, BRTL}	Current Rate	% Error	{BRTH, BRTL}	Current Rate	% Error
4800	65432	4808	-0.16	65328	4808	-0.16	65224	4792	0.16	64911	4800	0
9600	65484	9615	-0.16	65432	9615	-0.16	65380	9615	-0.16	65224	9615	-0.16
19200	65510	19231	-0.16	65484	19231	-0.16	65458	19231	-0.16	65380	19231	-0.16
38400	65523	38462	-0.16	65510	38462	-0.16	65497	38462	-0.16	65458	38462	-0.16
115200	--	--	--	--	--	--	65523	115385	-0.16	65510	115385	-0.16
250000	--	--	--	--	--	--	--	--	--	65524	250000	0
500000	--	--	--	--	--	--	--	--	--	65530	500000	0
1000000	--	--	--	--	--	--	--	--	--	65533	1000000	0

## 19.4 UARTn Register

UARTn has the same functionality as the standard 8051 UART. Its Related Registers are: FUNCCR, SBUF<sub>n</sub>, SCON<sub>n</sub>, PCON, IE, IP. The UARTn Data Buffer (SBUF<sub>n</sub>) consists of 2 independent registers: the transmit and receive registers. The data written to SBUF<sub>n</sub> will be set in the UARTn output register and the transmission will begin; The data that reads SBUF<sub>n</sub> will be read from the UARTn receive register. The SCON0 register supports bit addressing operations, and the SCON1 registers do not support bit addressing operations, so be aware when using assembly language. The baud rate is doubled by register PCON settings.

### 19.4.1 UART0/1 Baud Rate Selection Register FUNCCR

0x91	Bit7	Bit6	Bit5	Bit4	Bit3	Bit2	Bit1	Bit0
FUNCCR	--	--	--	--	UART1_CKS1	UART0_CKS1	UART1_CKS0	UART0_CKS0
R/W	R/W	R/W	R/W	R/W	R/W	R/W	R/W	R/W
Reset Value	0	0	0	0	0	0	0	0

- Bit7~Bit4 -- Reserved, must be 0.
- Bit3      UART1\_CKS1: The timer clock source of UART1 selects the bit high bit, {UART1\_CKS1, UART1\_CKS0};
- 00= Overflow clock for Timer1;
  - 01= Overflow clock for Timer4;
  - 10= Overflow clock for Timer2;
  - 11= BRT overflow clock;
- Bit2      UART0\_CKS1: The timer clock source of UART0 selects the bit high bit, {UART0\_CKS1, UART0\_CKS0};
- 00= Overflow clock for Timer1;
  - 01= Overflow clock for Timer4;
  - 10= Overflow clock for Timer2;
  - 11= BRT overflow clock;
- Bit1      UART1\_CKS: UART1's timer clock source is selected at a low position, see UART1\_CKS1 description;
- Bit0      UART0\_CKS: UART0's timer clock source is selected at a low position, see UART1\_CKS0 description;

### 19.4.2 UARTn Buffer Register SBUF<sub>n</sub>

	Bit7	Bit6	Bit5	Bit4	Bit3	Bit2	Bit1	Bit0
SBUF <sub>n</sub>	BUFFER <sub>n</sub> 7	BUFFER <sub>n</sub> 6	BUFFER <sub>n</sub> 5	BUFFER <sub>n</sub> 4	BUFFER <sub>n</sub> 3	BUFFER <sub>n</sub> 2	BUFFER <sub>n</sub> 1	BUFFER <sub>n</sub> 0
R/W	R/W	R/W	R/W	R/W	R/W	R/W	R/W	R/W
Reset Value	X	X	X	X	X	X	X	X

Register SBUF0 address 0x99; Register SBUF1 address 0xEB.

- Bit7~Bit0      BUFFER<sub>n</sub><7:0>: Buffered data registers.
- Write: UARTn started sending data.
  - Read: Reads the received data.

### 19.4.3 UART Control Register SCONn

	Bit7	Bit6	Bit5	Bit4	Bit3	Bit2	Bit1	Bit0
SCONn	UnSM0	UnSM1	UnSM2	UnREN	UnTB8	UnRB8	Believe	RIn
R/W	R/W	R/W	R/W	R/W	R/W	R/W	R/W	R/W
Reset Value	0	0	0	0	0	0	0	0

Register SCON0 address 0x98; Register SCON1 address 0xEA.

Bit7~Bit6	UnSM0-UnSM1:	Multi-machine communication control bit; 00= Master synchronization mode; 01= 8-bit asynchronous mode, variable baud rate; 10= 9-bit asynchronous mode with baud rates of Fsys/32 or Fsys/64; 11= 9-bit asynchronous mode with variable baud rate.
Bit5	UnSM2:	Multi-machine communication control bit; 1= Enable; 0= Disable.
Bit4	UnREN:	Receive enable bits; 1= Enable; 0= Disable.
Bit3	UnTB8:	The 9th bit of sending data, mainly used for sending in 9-bit asynchronous mode; 1= The 9th digit is 1; 0= The 9th digit is 0.
Bit2	UnRB8:	The 9th bit of receiving data, mainly used for sending in 9-bit asynchronous mode; 1= The 9th bit of data received is 1; 0= Bit 9 received is 0.
Bit1	TIn:	Send interrupt flag bits (requires software zeroing); 1= Indicates that the send buffer is empty, and you can send the frame data. 0= --
Bit0	RIn:	Receive interrupt flag bits (requires software zeroing); 1= Indicates that the receive buffer is full, and the next frame of data can be received after reading. 0= --

The UARTn schema is as follows:

SMn0	SMn1	Mode	Description	Baud rate
0	0	0	Shift register	Fsys/12
0	1	1	8-Bit UART	Controlled by Timer4/Timer1/Timer2/BRT
1	0	2	9-Bit UART	SMODn=0: Fsys/64; SMODn=1: Fsys/32
1	1	3	9-Bit UART	Controlled by Timer4/Timer1/Timer2/BRT

### 19.4.4 PCON Registers

0x87	Bit7	Bit6	Bit5	Bit4	Bit3	Bit2	Bit1	Bit0
PCON	SMOD0	SMOD1	--	--	--	THEIR	STOP	IDLE
R/W	R/W	R/W	R/W	R/W	R/W	R/W	R/W	R/W
Reset Value	0	0	0	0	0	0	0	0

Bit7	SMOD0: UART0 baud rate multiplier; 1= UART0 baud rate doubled; 0= The UART0 baud rate is normal.
Bit6	SMOD1: UART1 baud rate multiplier; 1= Doubling the UART1 baud rate; 0= The UART1 baud rate is normal.
Bit5~Bit3	-- Reserved, must be 0.
Bit2	THEIR: STOP status function wake-up enable bit; (The system can be restarted by a power-down reset or an enabled external reset regardless of the SWE value) 0= Disables functional wake-up; 1= Enables function wake-up (wake-up by external interrupt and timed wake-ups).
Bit1	STOP: Sleep state control bit; 1= Enter the hibernation state (exit STOP mode to automatically clear zero); 0= Does not go into hibernation.
Bit0	IDLE: Idle state control bit; 1= Enter the idle state (exit THE IDLE mode to automatically clear the zero); 0= Not idle

## 19.5 UARTn Interrupt

The interrupt number of UART0 is 4, where the interrupt vector is 0x0023.

The interrupt number of UART1 is 6, where the interrupt vector is 0x0033.

To enable a UARTn interrupt, it must set its enable bit ESn to 1 and the global interrupt enable bit EA to 1. If the interrupt enables associated with UARTn are turned on, TIn=1 or RIn=1, the CPU will enter the corresponding interrupt service program. TIn/RIn is independent of the state of ESn and requires software zeroing, which describes the reference register SCOnn in detail.

### 19.5.1 Interrupt Mask Register IE

0xA8	Bit7	Bit6	Bit5	Bit4	Bit3	Bit2	Bit1	Bit0
IE	SHE	ES1	ET2	ES0	ET1	EX1	ET0	EX0
R/W	R/W	R/W	R/W	R/W	R/W	R/W	R/W	R/W
Reset Value	0	0	0	0	0	0	0	0

Bit7	SHE: Global interrupt enable bits; 1= Enable all unblocked interrupt; 0= Disable all Interrupt.
Bit6	ES1: UART1 interrupt enable bit; 1= Enable UART1 interrupt; 0= Disable UART1 Interrupt.
Bit5	ET2: TIMER2 Global interrupt Enable bits; 1= Enable all interrupt of TIMER2; 0= All interrupt of TIMER2 are Disabled.
Bit4	ES0: UART0 interrupt enable bit; 1= Enable UART0 interrupt; 0= Disable UART0 Interrupt.
Bit3	ET1: TIMER1 interrupt enable bit; 1= Enable TIMER1 interrupt; 0= Disable TIMER1 Interrupt.
Bit2	EX1: External interrupt 1 interrupt enables bits; 1= Enable external interrupt 1 interrupt; 0= Disable external interrupt 1 interrupt.
Bit1	ET0: TIMER0 interrupt enable bits; 1= Enable TIMER0 interrupt; 0= Disable TIMER0 Interrupt.
Bit0	EX0: External interrupt 0 interrupt enable bit; 1= Enable external interrupt 0 interrupt; 0= Disable external interrupt 0 interrupt.

### 19.5.2 Interrupt Priority Controls Register IP

0xB8	Bit7	Bit6	Bit5	Bit4	Bit3	Bit2	Bit1	Bit0
IP	--	PS1	PT2	PS0	PT1	PX1	PT0	PX0
R/W	R/W	R/W	R/W	R/W	R/W	R/W	R/W	R/W
Reset Value	0	0	0	0	0	0	0	0

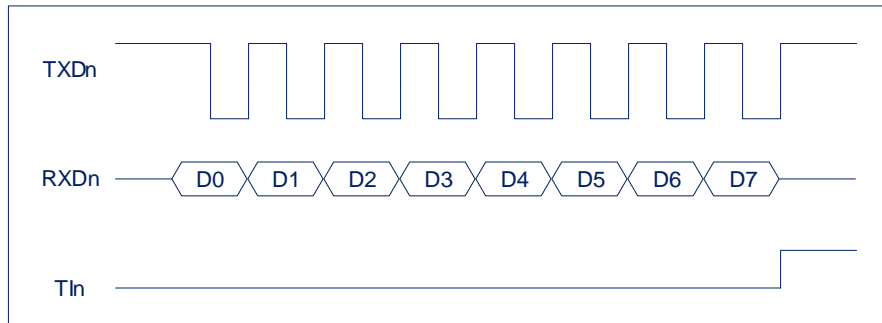
Bit7	--	Reserved, must be 0.
Bit6	PS1:	UART1 interrupt priority control bit; 1= Set to High-level Interrupt; 0= Set to low-level interrupt.
Bit5	PT2:	TIMER2 interrupt priority control bit; 1= Set to High-level Interrupt; 0= Set to low-level interrupt.
Bit4	PS0:	UART0 interrupt priority control bit; 1= Set to High-level Interrupt; 0= Set to low-level interrupt.
Bit3	PT1:	TIMER1 interrupt priority control bit; 1= Set to High-level Interrupt; 0= Set to low-level interrupt.
Bit2	PX1:	External interrupt 1 interrupt priority control bit; 1= Set to High-level Interrupt; 0= Set to low-level interrupt.
Bit1	PT0:	TIMER0 interrupt priority control bit; 1= Set to High-level Interrupt; 0= Set to low-level interrupt.
Bit0	PX0:	External interrupt 0 interrupt priority control bit; 1= Set to High-level Interrupt; 0= Set to low-level interrupt.



## 19.6 UARTn Mode

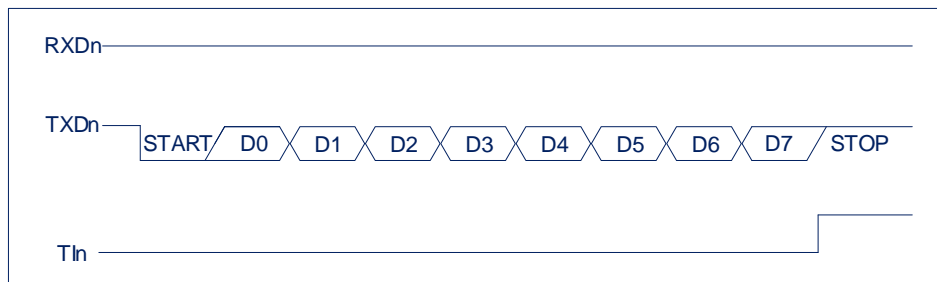
### 19.6.1 Mode 0 - Synchronous Mode

Pin RXDn is the input or output and TXDn is the clock output. The TXDn output is a shift clock. The baud rate is fixed at 1/12 of the system clock frequency. 8 bits are transmitted preferentially with LSB. Initialize the receive by setting the flag in SCONn, set to: RIn = 0 and RENn = 1. The mode 0 timing diagram is shown in the following figure:



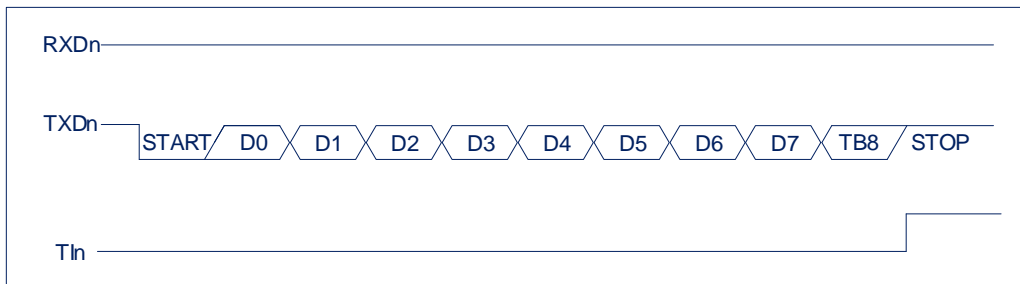
### 19.6.2 Mode 1-8 Bit Asynchronous Mode (Variable Baud Rate)

The pin RXDn is used as the input and the TXDn is used as the serial output. Send 10 bits: start bit (always 0), 8 bits of data (LSB first), and stop bit (always 1). When received, the start bit is transmitted synchronously, 8 data bits can be obtained by reading SBUFn, and the stop bit sets the flag RBn8 in SCONn. The baud rate is variable and depends on the Timer4/Timer1/Timer2/BRT mode. The Mode 1 timing diagram is shown in the following figure:



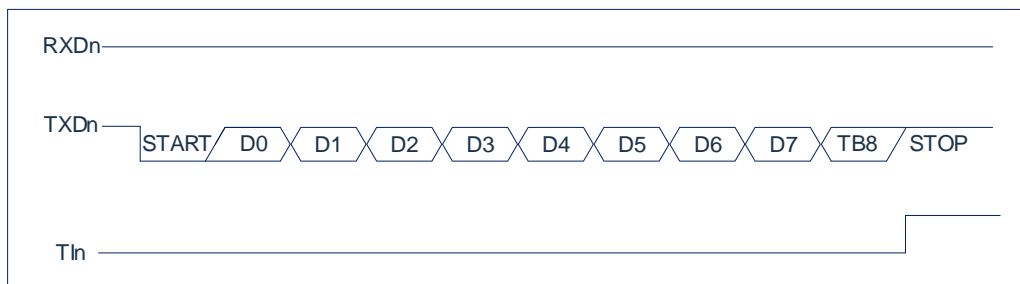
### 19.6.3 Mode 2-9 Bit Asynchronous Mode (Fixed Baud Rate)

This pattern is similar to Mode 1, but differs in two ways. The baud rate is fixed at 1/32 or 1/64 of the CLK clock frequency, with 11 bits of transceiver: start bit (0), 8 bits of data (LSB first), programmable bit 9, and stop bit (1). Bit 9 can be used to control parity of the UARTn interface: at send time, bit TBn8 in SCONn acts as the 9th bit output, and on receive, bit 9 affects RBn8 in SCONn. The Mode 3 timing diagram is shown in the following figure:



### 19.6.4 Mode 3-9 Bit Asynchronous Mode (Variable Baud Rate)

The only difference between mode 2 and mode 3 is that the baud rate in mode 3 is variable. When REN0=1, data reception is enabled. The baud rate is variable and depends on the Timer4/Timer1/Timer2/BRT mode. The Mode 4 timing diagram is shown in the following figure:



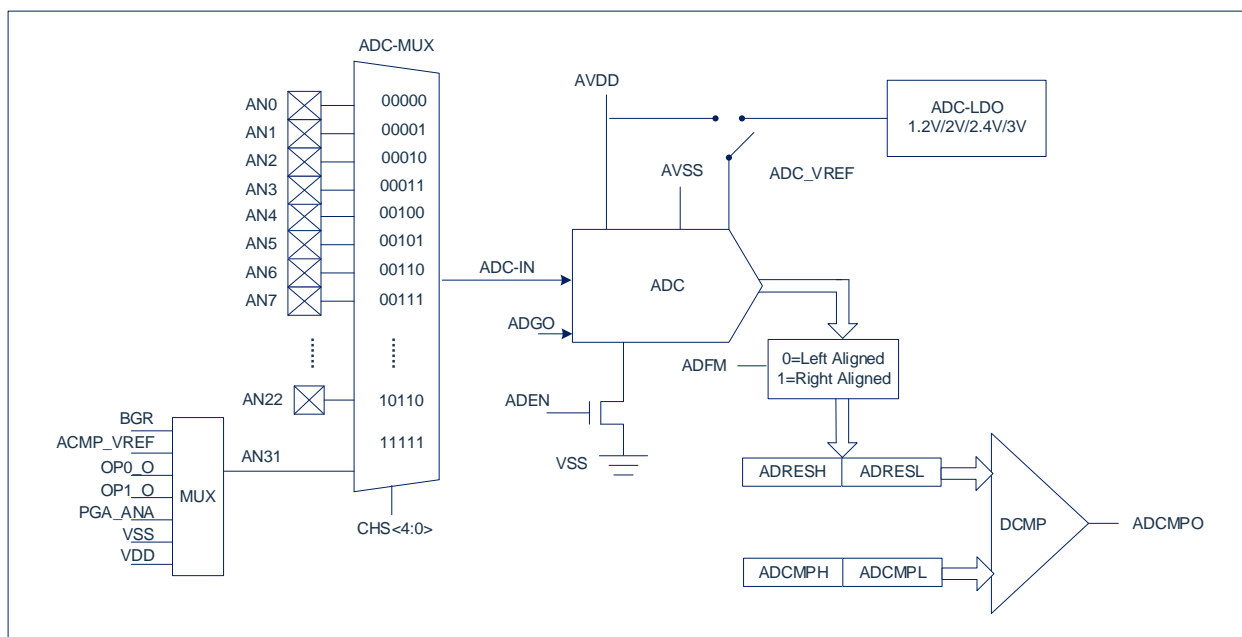
## 20. Analog-to-digital Converter (ADC)

### 20.1 Overview

An analog-to-digital converter (ADC) converts an analog input signal into a 12-bit binary number representing the signal, as shown in the ADC block diagram below.

The port analog input signal and the internal analog signal are connected to the input of the analog-to-digital converter after being multiplexed. The analog-to-digital converter uses successive approximation to produce a 12-bit binary result and saves the result in the ADC result register (ADRESL and ADRESH), and the ADC can generate an interrupt after the conversion is complete. The ADC conversion results are compared to the values of the ADC comparison data registers (ADCMPL and ADCPH), which are stored in the ADCPO flag bits.

The ADC reference voltage is always internally generated and can be provided with avdd or by an internal ADC-LDO.



## 20.2 ADC Configuration

When configuring and using an ADC, the following factors must be considered:

- Port configuration.
- Channel selection.
- ADC converts the clock source.
- Interrupt control.
- The format in which the results are stored.

### 20.2.1 Port Configuration

ADC can convert both analog and digital signals. When converting an analog signal, the corresponding port needs to be configured as an analog port.

Note: Applying an analog voltage to a pin defined as a digital input may cause an overcurrent in the input buffer.

### 20.2.2 Channel Selection

The ADCHS bit of the ADCON1 register determines which channel is connected to the analog-to-digital converter.

If you change the channel, you will need a delay before the next conversion starts. The ADC delay time is shown in the following table:

Delay time	Operating voltage
500ns	2.5~4.5V
200ns	4.5~5.5V

### 20.2.3 ADC Reference Voltage

The reference voltage for the ADC is provided by default by the chip's VDD or by the internal ADC-LDO. The ADC-LDO can choose from four voltage outputs: 1.2V/2.0V/2.4V/3.0V.

## 20.2.4 aConvert the Clock

The ADCKS bit of the ADCON1 register can be set by software to select the clock source for conversion.

The time to complete one bit conversion is defined as  $T_{ADCK}$ . A complete 12-bit conversion requires 18.5  $T_{ADCK}$  cycles (the duration of ADGO to complete a conversion is high). The correct conversion results can only be obtained if the corresponding  $T_{ADCK}$  specifications are met. The following table is an example of selecting the ADC clock correctly.

F <sub>sys</sub>	F <sub>ADCK</sub> (T <sub>A</sub> =25°C)		
	V <sub>REF</sub> =V <sub>REF1</sub> =AVDD (AVDD=VDD)	V <sub>REF</sub> =V <sub>REF2</sub> =1.2V	V <sub>REF</sub> =V <sub>REF3</sub> =2.0V V <sub>REF</sub> =V <sub>REF4</sub> =2.4V V <sub>REF</sub> =V <sub>REF5</sub> =3.0V
8MHz	F <sub>sys</sub> /4	F <sub>sys</sub> /256	F <sub>sys</sub> /16
16MHz	F <sub>sys</sub> /8	禁用	F <sub>sys</sub> /32
24MHz	F <sub>sys</sub> /16	禁用	F <sub>sys</sub> /64
48MHz	F <sub>sys</sub> /32	禁用	F <sub>sys</sub> /128

Note: Any change in the system clock frequency will change the frequency of the ADC clock, which can negatively affect the ADC conversion results.

## 20.2.5 Result Format

The results of the 12-bit A/D conversion can be in two formats: left-aligned or right-aligned. The output format is controlled by the ADFM bit of the ADCON0 register.

When ADFM=0, the AD conversion result is left-aligned;

When ADFM=1, the AD conversion result is right-aligned.

## 20.3 ADC Hardware Trigger Start

In addition to software trigger ADC conversion, the ADC module also provides a hardware trigger start method. One is the edge trigger mode of the external port, and the other is the edge or period trigger mode of the PWM.

Using hardware to trigger ADC needs to set ADCEX to 1, even if the ADC function can be triggered externally. The hardware trigger signal will set the ADGO bit to 1 after a certain delay, and it will be automatically cleared after the conversion is completed. After the hardware trigger function is turned on, the software trigger function will not be turned off. In the ADC idle state, writing 1 to the ADGO bit can also start AD conversion.

### 20.3.1 The External Port edge Triggers the ADC

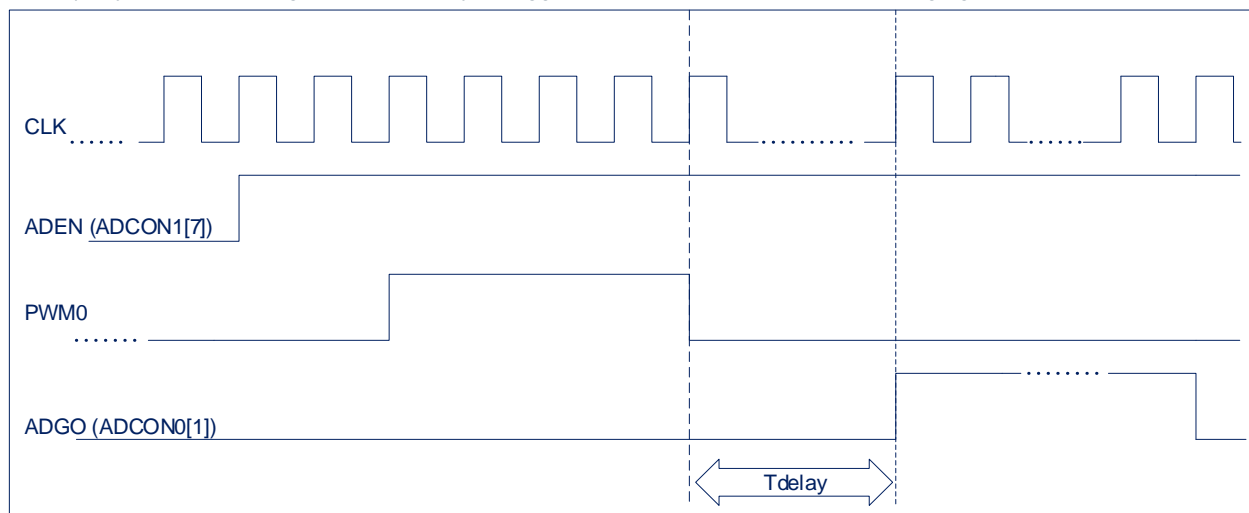
The ADET pin edge automatically triggers the ADC conversion. At this point, ADTGS [1:0] needs to be 11 (select external port edge trigger), ADEGS [1:0] can choose which edge trigger.

### 20.3.2 PWM Triggers the ADC

The PWM can optionally trigger the ADC transition by edge or at the period/zero point. ADTGS [1:0] Select the PWM channel (PG0, PG2, PG4), and ADEGS [1:0] can select the triggering method of edge type or period type.

### 20.3.3 Hardware Triggers a Boot Delay

After the hardware trigger signal is generated, the AD conversion is not started immediately, and it takes a certain delay before the ADGO is set to 1. The delay is determined by ADDLY [9:0]. The delay time of the hardware trigger signal:  $(ADDLY+3)*T_{sys}$ , the block diagram of the delayed trigger structure is shown in the following figure:



## 20.4 ADC Results Comparison

The ADC module provides a set of digital comparators for comparing the results of an ADC with the value size of preloaded {ADCMPL, ADCMPH}. The result of each ADC conversion is compared to the preset value ADCMP, and the result of the comparison is stored in the ADCPO flag bit, which is automatically updated after the conversion is completed. The ADCMPPS bit can change the polarity of the output result.

The ADC comparison results trigger the enhanced PWM fault brake, which requires the ADFBEN to be set to 1.

When the enhanced PWM function is turned on, ADFBEN = 1, the result of the AD conversion is compared with the preset value {ADCMPL, ADCMPH}, if the result of the comparison ADCCMPO is 1, the PWM immediately generates a fault brake operation, clears the start bit of all PWM channels, and terminates all PWM channel outputs.

## 20.5 How the ADC Works

### 20.5.1 Start the Conversion

To enable the ADC module, you must first place ADEN position 1 of the ADCON1 register, and then start the analog-to-digital conversion of ADGO position 1 of the ADCON0 register (ADGO cannot be set to 1 if the ADEN is 0).

### 20.5.2 Complete the Conversion

When the conversion is complete, the ADC module will:

- Zero ADGO bit;
- Place the ADCIF flag at position 1;
- Update the ADRESH:ADRESL register with the new result of the conversion.

### 20.5.3 Terminates the Conversion

After the ADC boots, you must wait for the ADC conversion to complete before terminating the ADC conversion, disabling the ADC conversion during the ADC conversion process.

Note: A device reset forces all registers to enter a reset state. Therefore, the reset shuts down the ADC module and terminates any pending transitions.

## 20.5.4 A/D Conversion Steps

The configuration steps for analog-to-digital conversion using an ADC are as follows:

- 1) Port configuration:
  - Disable pin output drivers (see PxTRIS registers);
  - Configure the pins as analog input pins.
- 2) Configure the ADC interrupt (optional):
  - Clear the ADC interrupt flag bit;
  - Enable ADC interrupt;
  - Enable peripheral interrupt;
  - Enable global outages.
- 3) To configure the ADC module:
  - Select the ADC conversion clock;
  - Select the ADC input channel;
  - Select the format of the result;
  - Start the ADC module.
- 4) Wait for the required acquisition time.
- 5) Set ADGO to 1 to start the conversion.
- 6) Wait for the ADC conversion to finish by one of the following methods:
  - Query ADGO bits;
  - Wait for the ADC to interrupt (interrupt Enabled).
- 7) Read the ADC results.
- 8) Zero out the ADC interrupt flag bit (this is required if Interrupt is Enabled).

Note: If the user attempts to resume sequential code execution after waking the device from sleep mode, the global interrupt must be suppressed.

## 20.5.5 Go to Sleep During the Conversion Process

When the system enters hibernation, it must wait for the ADC's ongoing conversion to complete before entering hibernation.

Disables the chip from going to sleep during ADC conversion.



## 20.6 Related Registers

There are 10 main registers associated with AD conversion, namely:

- AD control registers ADCON0, ADCON1, ADCON2, ADCLDO;
- Comparator control register ADCPC;
- Delay data register ADDLYL;
- AD result data register ADRSH/L;
- Comparator data register ADCCMPH/L.

### 20.6.1 AD Control Register ADCON0

0xDF	Bit7	Bit6	Bit5	Bit4	Bit3	Bit2	Bit1	Bit0
ADCON0	ADCHS4	ADFM	--	AN31SEL2	AN31SEL1	AN31SEL0	ADGO	--
R/W	R/W	R/W	R/W	R/W	R/W	R/W	R/W	R/W
Reset Value	0	0	0	0	0	0	0	0

Bit7	ADCHS4	ADC analog channel select bit 4; 1= Select channel assignment as described in Register ADCON1 below; 0= --
Bit6	ADFM	ADC conversion result format select bits; 1= Right alignment; 0= Left-aligned.
Bit5	--	Reserved, must be 0.
Bit4~Bit2	AN31SEL<2:0>	ADC channel 31 input source select bit; 000= BGR(1.2V); 001= ACMP_VREF (negative reference voltage of the comparator, see ACMP section for details); 010= OP0_O; 011= OP1_O; 100= PGA_ANA (PGA internal output signal, see PGA module section for details); 101= VSS (ADC Reference Area); 110= Reserved, prohibited use; 111= VDD (ADC default reference voltage).
Bit1	ADGO	ADC converts the start bit (ADEN must be 1 for this position 1, otherwise the operation is invalid); 1= Write: Starts the ADC conversion, (the hardware also uses this position 1 when the ADC is triggered); Read: The ADC is converting. 0= Write: Invalid. Read: ADC idle/converted; During the conversion of the ADC (ADGO=1), any software and hardware trigger signals are ignored.
Bit0	--	Reserved, must be 0.

## 20.6.2 AD Control Register ADCON1

0xDE	Bit7	Bit6	Bit5	Bit4	Bit3	Bit2	Bit1	Bit0
ADCON1	ADEN	ADCKS2	ADCKS1	ADCKS0	ADCHS3	ADCHS2	ADCHS1	ADCHS0
R/W	R/W	R/W	R/W	R/W	R/W	R/W	R/W	R/W
Reset Value	0	1	0	0	0	0	0	0

Bit7	ADEN: ADC enable bit; 1= Enable ADC; 0= ADC is prohibited and does not consume operating current.
Bit6~Bit4	ADCKS<2:0>: ADC conversion clock select bits; 000= Fsys/2;                   100= Fsys/32; 001= Fsys/4;                   101= Fsys/64; 010= Fsys/8;                   110= Fsys/128; 011= Fsys/16;                  111= Fsys/256.
Bit3~Bit0	ADCHS<3:0>: Analog channel select bit is 4 bits lower, and ADCHS < 4> form a 5 bit channel select bit, ADCHS < 4:0 >; 00000= AN0;                   10000= AN16; 00001= AN1;                   10001= AN17; 00010= AN2;                   10010= AN18; 00011= AN3;                   10011= AN19; 00100= AN4;                   10100= AN20; 00101= AN5;                   10101= AN21; 00110= AN6;                   10110= AN22; 00111= AN7;                   Other = Prohibited access; 01000= AN8;                   11111= See ADCON0.AN31SEL description. 01001= AN9; 01010= AN10; 01011= AN11; 01100= AN12; 01101= AN13; 01110= AN14; 01111= AN15;

### 20.6.3 AD Control Register ADCON2

0xE9	Bit7	Bit6	Bit5	Bit4	Bit3	Bit2	Bit1	Bit0
ADCON2	ADCEX	--	ADTGS1	ADTGS0	ADEGS1	ADEGS0	--	--
R/W	R/W	R/W	R/W	R/W	R/W	R/W	R/W	R/W
Reset Value	0	0	0	0	0	0	0	0

- Bit7           ADCEX: ADC hardware trigger enable bit;  
                   1= Enable;  
                   0= Disable.
- Bit6                   -- Reserved, must be 0.
- Bit5~Bit4       ADTGS<1:0>: ADC hardware trigger source select bit;  
                   00= PG0(PWM0);  
                   01= PG2 (PWM2);  
                   10= PG4 (PWM4);  
                   11= Port pin (ADET).
- Bit3~Bit2       ADEGS<1:0>: ADC hardware trigger edge selection bit;  
                   00= Descending edges;  
                   01= Rising edge;  
                   10= The periodic point of the PWM cycle;  
                   11= The zero point of the PWM cycle.
- Bit1~Bit0           -- Reserved, must be 0.

### 20.6.4 The AD Comparator Controls the Register ADCPC

0xD1	Bit7	Bit6	Bit5	Bit4	Bit3	Bit2	Bit1	Bit0
ADCMP	ADFBEN	ADCMPPS	--	ADCMPPO	--	--	ADDLY9	ADDLY8
R/W	R/W	R/W	R/W	R/W	R/W	R/W	R/W	R/W
Reset Value	0	0	0	0	0	0	0	0

- Bit7           ADFBEN: ADC comparator result control PWM brake enable bit;  
                   1= Enable;  
                   0= Disable.
- Bit6           ADCMPPS: ADC comparator output polarity select bit;  
                   1= If ADRES < ADCMP, ADCPO=1;  
                   0= If ADRES > =ADCMP, then ADCMPO=1.
- Bit5                   -- Reserved, must be 0.
- Bit4           ADCMPPO: ADC comparator output bits.  
                   This bit outputs the result of the ADC comparator output, which is updated each time the  
                   ADC conversion ends.
- Bit3~Bit2       -- Reserved, must be 0.
- Bit1~Bit0       ADDLY<9:8>: ADC hardware trigger delay data [9:8] bits.

### 20.6.5 AD Hardware Triggers the Delay Data Register ADDLYL

0xD3	Bit7	Bit6	Bit5	Bit4	Bit3	Bit2	Bit1	Bit0
ADDLYL	ADDLY7	ADDLY6	ADDLY5	ADDLY4	ADDLY3	ADDLY2	ADDLY1	ADDLY0
R/W	R/W	R/W	R/W	R/W	R/W	R/W	R/W	R/W
Reset Value	0	0	0	0	0	0	0	0

- Bit7~Bit0       ADDLY<7:0>: ADC hardware trigger delay data is 8 bits lower.

### 20.6.6 AD Data Register High ADRESH, ADFM=0 (Left Aligned)

0xDD	Bit7	Bit6	Bit5	Bit4	Bit3	Bit2	Bit1	Bit0
ADRESH	ADRES11	ADRES10	ADRES9	ADRES8	ADRES7	ADRES6	ADRES5	ADRES4
R/W	R	R	R	R	R	R	R	R
Reset Value	X	X	X	X	X	X	X	X

Bit7~Bit0 ADDRESS<11:4>: ADC result register bit.  
Bits 11-4 of the 12-bit conversion result.

### 20.6.7 AD Data Register Low ADRESL, ADFM=0 (Left -aligned)

0xDC	Bit7	Bit6	Bit5	Bit4	Bit3	Bit2	Bit1	Bit0
ADRESL	ADRES3	ADRES2	ADRES1	ADRES0	--	--	--	--
R/W	R	R	R	R	--	--	--	--
Reset Value	X	X	X	X	--	--	--	--

Bit7~Bit4 ADDRESS<3:0>: ADC result register bit.  
Bits 3-0 of the 12-bit conversion result.

Bit3~Bit0 Unused.

### 20.6.8 AD Data Register High ADRESH, ADFM=1 (Right-aligned)

0xDD	Bit7	Bit6	Bit5	Bit4	Bit3	Bit2	Bit1	Bit0
ADRESH	--	--	--	--	ADRES11	ADRES10	ADRES9	ADRES8
R/W	--	--	--	--	R	R	R	R
Reset Value	--	--	--	--	X	X	X	X

Bit7~Bit4 Unused.

Bit3~Bit0 ADDRESS<11:8>: ADC result register bit.  
Bits 11-8 of the 12-bit conversion result.

### 20.6.9 AD Data Register Low ADRESL, ADFM = 1 (Right-aligned)

0xDC	Bit7	Bit6	Bit5	Bit4	Bit3	Bit2	Bit1	Bit0
ADRESL	ADRES7	ADRES6	ADRES5	ADRES4	ADRES3	ADRES2	ADRES1	ADRES0
R/W	R	R	R	R	R	R	R	R
Reset Value	X	X	X	X	X	X	X	X

Bit7~Bit0 ADDRESS<7:0>: ADC result register bit.  
12 bits converted to bits 7-0 of the result.

### 20.6.10 AD Comparator Data Register ADCMPH

0xD5	Bit7	Bit6	Bit5	Bit4	Bit3	Bit2	Bit1	Bit0
ADCMPH	D11	D10	D9	D8	D7	D6	D5	D4
R/W	R/W	R/W	R/W	R/W	R/W	R/W	R/W	R/W
Reset Value	1	1	1	1	1	1	1	1

Bit7~Bit0                    ADCMP<11:4>: The ADC comparator data is 8 bits high.

### 20.6.11 AD Comparator Data Register ADCOP

0xD4	Bit7	Bit6	Bit5	Bit4	Bit3	Bit2	Bit1	Bit0
ADCMPH	--	--	--	--	D3	D2	D1	D0
R/W	R/W	R/W	R/W	R/W	R/W	R/W	R/W	R/W
Reset Value	1	1	1	1	1	1	1	1

Bit7~Bit4                    Unused.

Bit3~Bit0                    ADCMP<3:0>: The ADC comparator data is 4 bits lower.

### 20.6.12 AD Reference Voltage Control Register

F692H	Bit7	Bit6	Bit5	Bit4	Bit3	Bit2	Bit1	Bit0
ADCLDO	LDOEN	VSEL1	VSEL0	--	--	--	--	--
R/W	R/W	R/W	R/W	R/W	R/W	R/W	R/W	R/W
Reset Value	0	0	0	0	0	0	0	0

Bit7                    LDOEN    ADC\_LDO enabled;

1= LDO enable, the reference voltage can only select the voltage corresponding to VSEL [1:0];

0= LDO prohibits, the reference voltage is the chip supply voltage.

Bit6~Bit5            VSEL<1:0>: ADC reference voltage selection bit;

00= 1.2V ;

01= 2.0V ;

10= 2.4V ;

11= 3.0V .

Bit4~Bit0            --    Reserved, must be 0.

## 20.7 ADC Interrupt

The ADC module enables an interrupt to be generated after the analog-to-digital conversion is complete. The ADC interrupt enable bit is the ADCIE bit in the EIE2 register, and the ADC interrupt flag bit is the ADCIF bit in the EIF2 register. The ADCIF bit must be cleared with software, and the ADCIF bit is set to 1 after each conversion, regardless of whether the ADC interrupt is enabled. The interrupt enable and priority of the ADC can be set by the following relevant register bits.

### 20.7.1 Interrupt Mask Register EIE2

0xAA	Bit7	Bit6	Bit5	Bit4	Bit3	Bit2	Bit1	Bit0
EIE2	SPIIE	I2CIE	WDTIE	ADCIE	PWMIE	--	ET4	ET3
R/W	R/W	R/W	R/W	R/W	R/W	R/W	R/W	R/W
Reset Value	0	0	0	0	0	0	0	0

Bit7	SPIIE: SPI interrupt enable bit; 1= Enable SPI interrupt; 0= Disable SPI Interrupt.
Bit6	I2CIE: I2C interrupt enable bit; 1= Enable I2C interrupt; 0= Disable I2C Interrupt.
Bit5	WDTIE: WDT interrupt enable bit; 1= Enable WDT overflow interrupt; 0= Disable WDT overflow interrupt.
Bit4	ADCIE: ADC interrupt enable bit; 1= Enable ADC interrupt; 0= Disable ADC Interrupt.
Bit3	PWMIE: PWM global interrupt enable bit; 1= Enable all PWM interrupt; 0= Disable all PWM interrupt.
Bit2	-- Reserved, must be 0.
Bit1	ET4: Timer4 interrupt enable bit; 1= Enable Timer4 interrupt; 0= DisableTimer4 Interrupt.
Bit0	ET3: Timer3 interrupt enable bit; 1= Enable Timer3 interrupt; 0= DisableTimer3 Interrupt.

## 20.7.2 Interrupt Priority Control Register EIP2

0xBA	Bit7	Bit6	Bit5	Bit4	Bit3	Bit2	Bit1	Bit0
EIP2	PSPI	PI2C	PWDT	PADC	PPWM	--	PT4	PT3
R/W	R/W	R/W	R/W	R/W	R/W	R/W	R/W	R/W
Reset Value	0	0	0	0	0	0	0	0

Bit7	PSPI: SPI interrupt priority control bit; 1= Set to High-level Interrupt; 0= Set to low-level interrupt.
Bit6	PI2C: I2C interrupt priority control bit; 1= Set to High-level Interrupt; 0= Set to low-level interrupt.
Bit5	PWDT: WDT interrupt priority control bit; 1= Set to High-level Interrupt; 0= Set to low-level interrupt.
Bit4	PADC: ADC interrupt priority control bit; 1= Set to High-level Interrupt; 0= Set to low-level interrupt.
Bit3	PPWM: PWM interrupt priority control bit 1= Set to High-level Interrupt; 0= Set to low-level interrupt.
Bit2	-- Reserved, must be 0.
Bit1	PT4: TIMER4 interrupt priority control bit; 1= Set to High-level Interrupt; 0= Set to low-level interrupt.
Bit0	PT3: TIMER3 interrupt priority control bit; 1= Set to High-level Interrupt; 0= Set to low-level interrupt.

### 20.7.3 Peripheral Interrupt Flag Bit Register EIF2

0xB2	Bit7	Bit6	Bit5	Bit4	Bit3	Bit2	Bit1	Bit0
EIF2	SPIIF	I2CIF	--	ADCIF	PWMIF	--	TF4	TF3
R/W	R	R	--	R/W	R	--	R/W	R/W
Reset Value	0	0	0	0	0	0	0	0

- Bit7      SPIIF: SPI global interrupt indicator bit, read-only;  
           1= SPI generates an interrupt, (this bit is automatically cleared after the specific interrupt flag is cleared);  
           0= The SPI did not produce an interrupt.
- Bit6      I2CIF: I2C global interrupt indicator bit, read-only;  
           1= I2C produces an interrupt, (after clearing the specific interrupt flag, this bit is automatically cleared);  
           0= I2C did not produce an interrupt.
- Bit5      -- Reserved, must be 0.
- Bit4      ADCIF: ADC interrupt flag bit;  
           1= ADC conversion is completed, and software zeroing is required;  
           0= The ADC conversion was not completed.
- Bit3      PWMIF: PWM global interrupt indicator bit, read-only;  
           1= PWM generates an interrupt, (after the specific interrupt flag is cleared, this bit is automatically cleared);  
           0= The PWM did not produce an interrupt.
- Bit2      -- Reserved, must be 0.
- Bit1      TF4: Timer4 timer overflow interrupt flag bit;  
           1= Timer4 timer overflow, the hardware is automatically cleared when entering the interrupt service program, and the software can also be cleared;  
           0= The Timer4 timer has no overflow.
- Bit0      TF3: Timer3 timer overflow interrupt flag bit;  
           1= Timer3 timer overflow, when entering the interrupt service program, the hardware is automatically cleared, and the software can also be cleared;  
           0= The Timer3 timer has no overflow.



## 21. Analog Comparator (ACMP0/1)

The chip contains two analog comparators, ACMP0 and ACMP1. When the positive voltage is greater than the negative voltage, the comparator outputs logic 1 and vice versa output 0, which can also be changed by the output polarity select bit. When the comparator output value changes, each comparator can generate an interrupt.

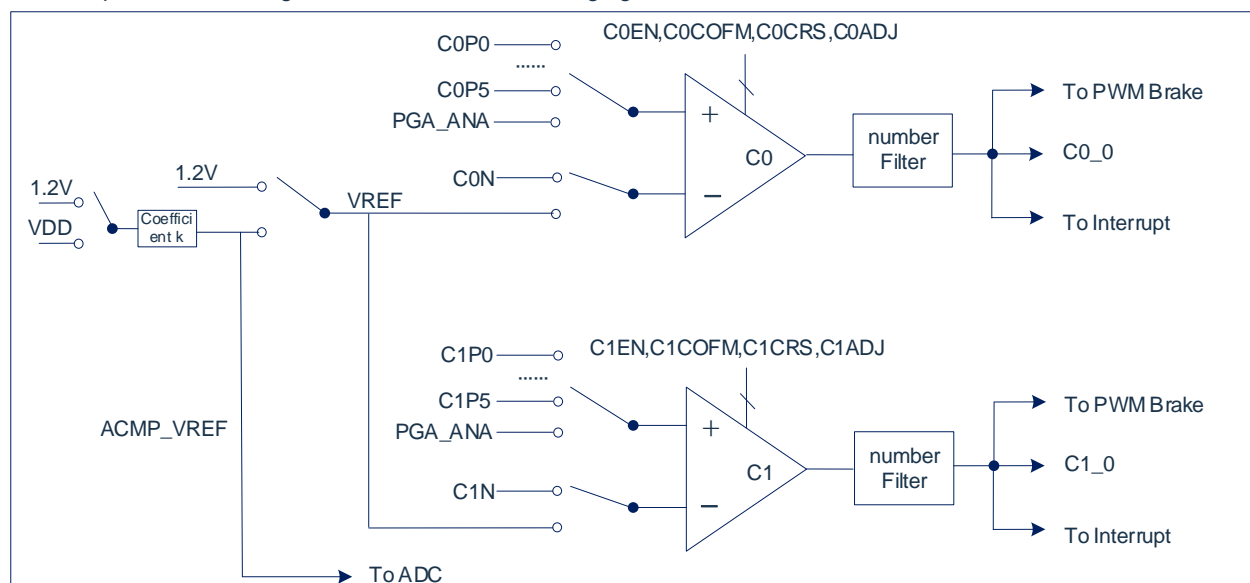
### 21.1 Comparator Features

The comparator has the following characteristics:

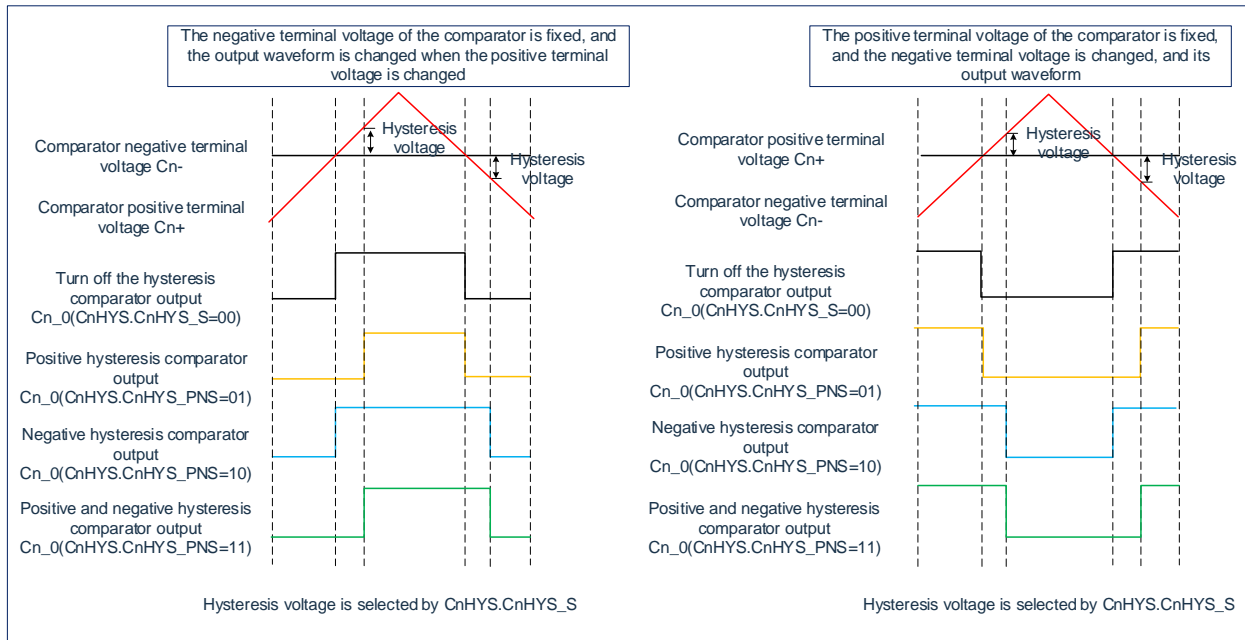
- ◆ Each comparator positive terminal can select 5 port inputs and 1 PGA output.
- ◆ Each comparator negative terminal can select the port input CnN with the internal reference voltage VREF.
- ◆ The internal reference voltage selects the internal Bandgap (1.2V) and ACMP\_VREF outputs.
- ◆ ACMP\_VREF reference source voltage division range:  $k = (2/20) \sim (17/20)$  a total of 16 gears to choose.
- ◆ Output filterable time can be selected:  $0 \sim 512 * T_{sys}$ .
- ◆ Supports unilateral (positive/negative) and bilateral (plus/negative) hysteresis control.
- ◆ Hysteresis voltage is available at 10/20/60mV.
- ◆ The software supports offset voltage trimming.
- ◆ The output acts as a brake trigger signal for the enhanced PWM.
- ◆ Output changes can produce interrupt.

### 21.2 Comparator Structure

The comparator block diagram is shown in the following figure:



The comparator hysteresis control block diagram is shown in the following figure:



## 21.3 Related Registers

### 21.3.1 Comparator Control Register CnCON0

	Bit7	Bit6	Bit5	Bit4	Bit3	Bit2	Bit1	Bit0
CnCON0	Cnen	CnCOFM	CnN2G	CnNS1	CnNS0	CnPS2	CnPS1	CnPS0
R/W	R/W	R/W	R/W	R/W	R/W	R/W	R/W	R/W
Reset Value	0	0	0	0	0	0	0	0

C0CON0 Address: F500H; C1CON0 Address: F503H.

- Bit7      CnEN: Comparator n enable bit;  
             1= Enable;  
             0= Disable.
- Bit6      CnCOFM: Comparator n mode enable bit;  
             1= Enable adjustment mode;  
             0= Disables the mode of adjustment.
- Bit5      CnN2G: comparator n regulation mode negative ground enable bit (this bit is active at CnCRS=0);  
             1= The negative end channel is closed and the internal negative end is grounded;  
             0= The negative channel is enabled and the signal is input from the negative side.
- Bit4~Bit3    CnNS<1:0>: Comparator n negative channel selection bit;  
             00= CnN;  
             01= Internal voltage (Bandgap or ACMP\_VREF);  
             1x= Reserved, prohibited.
- Bit2~Bit0    CnPS<2:0>: Comparator n-positive channel select bit CnPS< 2:0>;  
             000= CnP0;  
             001= CnP1;  
             010= CnP2;  
             011= Reserved, prohibited use;  
             100= CnP4;  
             101= CnP5;  
             110= PGA\_ANA;  
             111= Reserved, prohibited use.

### 21.3.2 Comparator Control Register CnCON1

	Bit7	Bit6	Bit5	Bit4	Bit3	Bit2	Bit1	Bit0
CnCON1	CnOUT	CnCRS	--	CnADJ4	CnADJ3	CnADJ2	CnADJ1	CnADJ0
R/W	R	R/W	R/W	R/W	R/W	R/W	R/W	R/W
Reset Value	0	0	0	1	0	0	0	0

C0CON1 Address: F501H; C1CON1 Address: F504H.

- Bit7      CnOUT: Comparator n result bits, read-only;
- Bit6      CnCRS: Comparator n adjustment mode input selection;  
             1= The positive and negative ends are connected together, and the input is entered from the positive end;  
             0= The positive and negative ends are connected together, and input is entered from the negative end.
- Bit5      -- Reserved, must be 0.
- Bit4~Bit0    CnADJ<4:0>: Comparator n offset voltage regulation bit.

### 21.3.3 Comparator n Control Register CnCON2

	Bit7	Bit6	Bit5	Bit4	Bit3	Bit2	Bit1	Bit0
CnCON2	--	--	CnPOS	CnFE	CnFS3	CnFS2	CnFS1	CnFS0
R/W	R	R/W	R/W	R/W	R/W	R/W	R/W	R/W
Reset Value	0	0	0	0	0	0	0	0

C0CON2 Address: 0xF502; C1CON2 Address: 0xF505.

Bit7~Bit6 -- Reserved, must be 0.

Bit5 CnPOS: Comparator n output polarity select bit (bits that may cause interrupt flag position when switching);

1= Inverting output;

0= Normal output.

Bit4 CnFE: Comparator n output filter enable bit;

1= Enable filtering;

0= Filtering is Disable.

Bit3~Bit0 CnFS<3:0>: Comparator n output filter time selection bit;

0000= (0~1)\*Tsys;

0001= (1~2)\*Tsys;

0010= (2~3)\*Tsys;

0011= (4~5)\*Tsys;

0100= (8~9)\*Tsys;

0101= (16~17)\*Tsys;

0110= (32~33)\*Tsys;

0111= (64~65)\*Tsys;

1000= (128~129)\*Tsys;

1001= (256~257)\*Tsys;

1010= (512~513)\*Tsys;

Other= (0~1)\*Tsys.

### 21.3.4 Comparator Adjustment Bit Selection Register CnADJE

	Bit7	Bit6	Bit5	Bit4	Bit3	Bit2	Bit1	Bit0
CnADJE	CnADJE7	CnADJE6	CnADJE5	CnADJE4	CnADJE3	CnADJE2	CnADJE1	CnADJE0
R/W	R/W	R/W	R/W	R/W	R/W	R/W	R/W	R/W
Reset Value	0	0	0	0	0	0	0	0

C0ADJE Address: F50AH; C1ADJE address: F50BH.

Bit7~Bit0 CnADJE<7:0>: Comparator n offset voltage regulation mode selection;

AAH = Determined by the CnADJ < 4:0 > in the CnCON1 register;

Other = Determined by the CONFIG correlation bit.

It is recommended to set the parameters of the comparator before starting the comparator, otherwise it may occur that the comparator output jump is detected by mistake during the setup process.

### 21.3.5 Comparator Hysteresis Control Register CnHYS

	Bit7	Bit6	Bit5	Bit4	Bit3	Bit2	Bit1	Bit0
CnHYS	--	--	--	--	CnHYS_PNS1	CnHYS_PNS0	CnHYS_S1	CnHYS_S0
R/W	R/W	R/W	R/W	R/W	R/W	R/W	R/W	R/W
Reset Value	0	0	0	0	0	0	0	0

C0HYS Address: F50CH; C1HYS Address: F50DH.

Bit7~Bit4	--	Reserved, must be 0.
Bit3~Bit2	CnHYS_PNS<1:0>	Positive and negative hysteresis select bits; 00= Off hysteresis; 01= positive hysteresis (unilateral hysteresis); 10= Negative hysteresis (unilateral hysteresis); 11= Positive and negative hysteresis (bilateral hysteresis).
Bit1~Bit0	CnHYS_S<1:0>	Hysteresis control bit; 00= Off hysteresis; 01= 10mV; 10= 20mV; 11= 60mV.

### 21.3.6 Comparator Reference Voltage Control Register CNVRCON

F506H	Bit7	Bit6	Bit5	Bit4	Bit3	Bit2	Bit1	Bit0
CNVRCON	--	--	CNDIVS	CNSVR	CNVS3	CNVS2	CNVS1	CNVS0
R/W	R	R	R/W	R/W	R/W	R/W	R/W	R/W
Reset Value	0	0	0	0	0	0	0	0

Bit7~Bit6	--	Reserved, must be 0.
Bit5	CNDIVS:	ACMP_VREF reference source select bits; 1= Select 1.2V (Bandgap) for voltage division; 0= Select VDD for voltage division.
Bit4	CNSVR:	Comparator negative internal voltage VREF select bit; 1= Select ACMP_VREF (voltage divider circuit on, independent of the comparator module); 0= Select 1.2V (Bandgap).
Bit3~Bit0	CNVS<3:0>:	ACMP_VREF reference source partial pressure coefficient k select bit; 0000-1111= 2/20 ~ 17/20.

### 21.3.7 Comparator Brake Control Register CNFBCON

F507H	Bit7	Bit6	Bit5	Bit4	Bit3	Bit2	Bit1	Bit0
CNFBCON	--	--	--	--	C1FBEN	C0FBEN	C1FBLS	C0FBLS
R/W	R	R	R	R	R/W	R/W	R/W	R/W
Reset Value	0	0	0	0	0	0	0	0

Bit7~Bit4            --    Reserved, must be 0.

Bit3            C1FBEN: Comparator 1 output controls PWM brake enable;  
                   0= Disabled;  
                   1= Enable.

Bit2            C0FBEN: Comparator 0 output controls PWM brake enable;  
                   0= Disabled;  
                   1= Enable.

Bit1            C1FBLS: Comparator 1 output controls PWM brake edge selection;  
                   0= Rising edge;  
                   1= Drop the edge.

Bit0            C0FBLS: Comparator 0 output controls PWM brake edge selection;  
                   0= Rising edge;  
                   1= Drop the edge.

## 21.4 Comparator Interrupt

Both comparator 0 and comparator 1 can set interrupt, both of which share an interrupt vector entry, and when entering the interrupt service program, the user can determine which type of interrupt is generated by the interrupt flag. Comparator interrupt priority and interrupt enable can be set by the following associated register bits.

### 21.4.1 Interrupt Priority Control Register EIP1

0xB9	Bit7	Bit6	Bit5	Bit4	Bit3	Bit2	Bit1	Bit0
EIP1	PACMP	PLSE	PLVD	--	PP3	PP2	PP1	PP0
R/W	R/W	R/W	R/W	R/W	R/W	R/W	R/W	R/W
Reset Value	0	0	0	0	0	0	0	0

- Bit7      PACMP: Analog comparator interrupt priority control bit;  
           1= Set to High-level Interrupt;  
           0= Set to low-level interrupt.
- Bit6      PLSE Low-speed crystal oscillator interrupt priority control bit  
           1= Set to High-level Interrupt;  
           0= Set to low-level interrupt.
- Bit5      PLVD LVD voltage monitoring interrupt priority control bit  
           1= Set to High-level Interrupt;  
           0= Set to low-level interrupt.
- Bit4      -- Reserved, must be 0.
- Bit3      PP3: P3 port interrupt priority control bit;  
           1= Set to High-level Interrupt;  
           0= Set to low-level interrupt.
- Bit2      PP2: P2 port interrupt priority control bit;  
           1= Set to High-level Interrupt;  
           0= Set to low-level interrupt.
- Bit1      PP1: P1 port interrupt priority control bit;  
           1= Set to High-level Interrupt;  
           0= Set to low-level interrupt.
- Bit0      PP0: P0 port interrupt priority control bit;  
           1= Set to High-level Interrupt;  
           0= Set to low-level interrupt.

### 21.4.2 Comparator Interrupt Shield Register CNIE

F508H	Bit7	Bit6	Bit5	Bit4	Bit3	Bit2	Bit1	Bit0
MISS	--	--	--	--	--	--	C1IE	C0IE
R/W	R	R	R	R	R	R	R/W	R/W
Reset Value	0	0	0	0	0	0	0	0

- Bit7~Bit2      -- Reserved, must be 0.
- Bit1      C1IE: Comparator 1 interrupt enable bit;  
           0= Disabled;  
           1= Enable.
- Bit0      C0IE: Comparator 0 interrupt enable bit;  
           0= Disabled;  
           1= Enable.

### 21.4.3 Comparator Interrupt Flag Register CNIF

F509H	Bit7	Bit6	Bit5	Bit4	Bit3	Bit2	Bit1	Bit0
CNIF	--	--	--	--	--	--	C1IF	C0IF
R/W	R	R	R	R	R	R	R/W	R/W
Reset Value	0	0	0	0	0	0	0	0

Bit7~ Bit2      -- Reserved, must be 0.

Bit1      C1IF: Comparator 1 interrupt flag bit (write 0 clear);

1= Compare 1 output changes.

0= --

Bit0      C0IF: Comparator 0 interrupt flag bit (write 0 clear);

1= Compare 0 output changes.

0= --



## 22. Operational Amplifier (OP0/1)

The chip contains op0 and OP1 two op amp modules, using a small number of peripheral components to achieve basic signal amplification and signal operation functions.

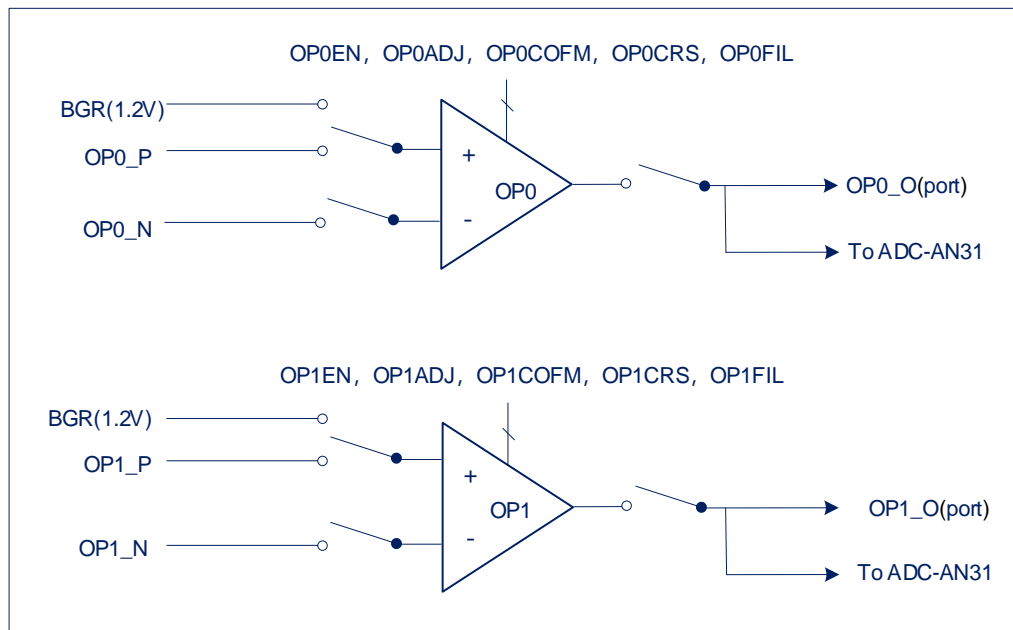
### 22.1 Op amp Features

Op amps have the following characteristics:

- ◆ Each op amp is multiplexed on all three ends with the GPIO port.
- ◆ The positive side supports an internal 1.2V voltage input.
- ◆ Supports compare/op amp modes.
- ◆ The op amp output can be connected to 31 channels inside the ADC for measurement.
- ◆ The software supports offset voltage trimming.

### 22.2 Op Amp Structure

The operation block diagram is shown in the following figure:



## 22.3 Related Registers

### 22.3.1 Op Amp Control Register OPnCON0

	Bit7	Bit6	Bit5	Bit4	Bit3	Bit2	Bit1	Bit0
OPnCON0	OPnEN	OPnCOFM	OPnFIL	OPnOS	OPnNS1	OPnNS0	OPnPS1	OPnPS0
R/W	R/W	R/W	R/W	R/W	R/W	R/W	R/W	R/W
Reset Value	0	0	1	0	0	0	0	0

OP0CON0 Address: F520H; OP1CON0 Address: F523H.

Bit7	OPnEN:	OPn enable bit; 1= Enable; 0= Disable.
Bit6	OPnCOFM:	OPn adjustment mode enable bit; 1= Enable; 0= Disable.
Bit5	OPnFIL:	OPn working mode selection; 1= Op amp mode (OPnCOFM must be 0); 0= Comparison mode (OPnCOFM must be 0).
Bit4	OPnOS:	OPn output channel select bit; 1= OPn_O; 0= Disable.
Bit3~Bit2	OPnNS<1:0>:	OPn negative channel selection bit; 00= OPn_N; Other = Disable.
Bit1~Bit0	OPnPS<1:0>:	OPn positive channel selection bit; 00= OPn_P; 01= BGR(1.2V); Other = Disable.

### 22.3.2 Op Amp Control Register OPnCON1

	Bit7	Bit6	Bit5	Bit4	Bit3	Bit2	Bit1	Bit0
OPnCON1	OPnDOUT	OPnCRS	--	OPnADJ4	OPnADJ3	OPnADJ2	OPnADJ1	OPnADJ0
R/W	R	R/W	R	R/W	R/W	R/W	R/W	R/W
Reset Value	0	0	0	1	0	0	0	0

OP0CON1 Address: F521H; OP1CON1 Address: F524H.

Bit7	OPnDOUT:	OPn adjusts the resulting bit/compare mode output, read-only.
Bit6	OPnCRS:	OPn adjustment mode input selection; 1= Positive input (only OPn_P selected); 0= Negative-side input.
Bit5	--	Reserved, must be 0.
Bit4~Bit0	OPnADJ<4:0>:	OPn offset voltage regulation bit.

### 22.3.3 Op Amp Regulation Bit Selection Register OPnADJE

	Bit7	Bit6	Bit5	Bit4	Bit3	Bit2	Bit1	Bit0
OPnADJE	OPnADJE7	OPnADJE6	OPnADJE5	OPnADJE4	OPnADJE3	OPnADJE2	OPnADJE1	OPnADJE0
R/W	R/W	R/W	R/W	R/W	R/W	R/W	R/W	R/W
Reset Value	0	0	0	0	0	0	0	0

OP0ADJE Address: F526H; OP1ADJE Address: F527H.

Bit7~Bit0            OPnADJE<7:0>: OPn offset voltage regulation mode selection;  
                           AAH = Determined by the OPnADJ < 4:0 > in the OPnCON1 register;  
                           Other = Determined by the CONFIG correlation bit.

## 23. Programmable Operational Amplifier (PGA)

The chip contains a programmable gain amplifier module that enables basic signal amplification functions inside the chip.

### 23.1 PGA Features

Programmable op amps have the following characteristics:

- ◆ Multistage gain selectable (1/2/4/8/16/32/64/128).
- ◆ Single-ended/pseudo differential inputs are supported.
- ◆ The PGA input is with sample-and-hold circuitry.
- ◆ The PGA output can be shaped by connecting to an internal analog comparator input.
- ◆ The PGA output can be internally connected to ADC channel 31 for measurement.
- ◆ Supports PGA output testing.
- ◆ The software supports offset voltage trimming.

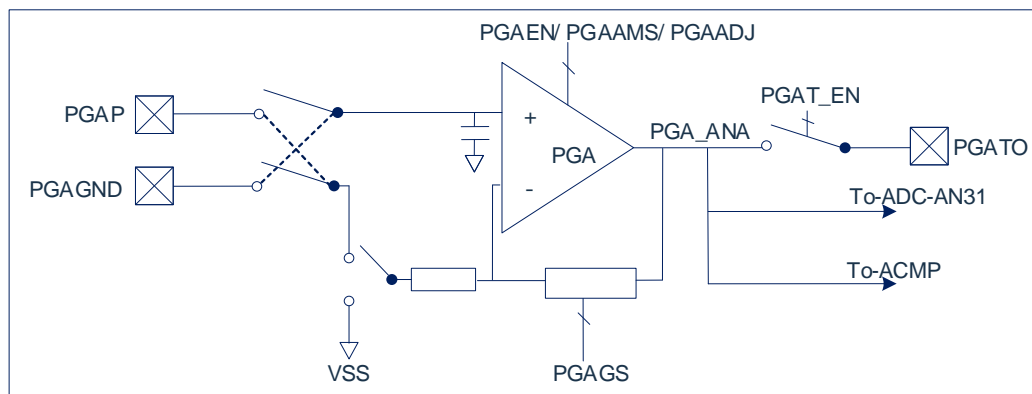
PGA supports normal amplification mode and sample-and-hold mode, which defaults to sample-and-hold mode.

If PGA input sample-and-hold (PGANSHEN=1) is not selected, the PGA's input is amplified and the output PGA\_ANA. PGA\_ANA convert output through an ADC, the ADC starts converting at ADC start position 1 immediately until the conversion ends.

If the PGA input sample-and-hold (PGANSHEN=0) is selected, it must be used with the ADC to Enable the PGA to output normally. PGA in sample-and-hold mode, the ADC channel 31 input source selection PGA\_ANA, when the ADC conversion start bit ADGO is set to 1, will wait for the set sample-and-hold time, the PGA's input signal is amplified and output PGA\_ANA, at this time the ADC really begins to convert, until the end of the conversion. The ADC sample-and-hold time is selected by register PGAACON1 [3:0].

### 23.2 PGA Structure

The PGA block diagram is shown in the following figure:



## 23.3 PGA-dependent Registers

### 23.3.1 PGACON0 Register

F529H	Bit7	Bit6	Bit5	Bit4	Bit3	Bit2	Bit1	Bit0
PGACON0	PGAEN	PGAGS2	PGAGS1	PGAGS0	PGAIMS1	PGAIMS0	PGAIPS1	PGAIPS0
R/W	R/W	R/W	R/W	R	R/W	R/W	R/W	R/W
Reset Value	0	0	0	0	0	0	0	0

Bit7	PGAEN:	PGA enable bit; 1= Enable; 0= Disable.
Bit6~Bit4	PGAGS:	PGA magnification selection; 000= 1 times; 001= 2 times; 010= 4 times; 011= 8 times; 100= 16 times; 101= 32 times; 110= 64 times; 111= 128 times.
Bit3~Bit2	PGAIMS<1:0>:	PGA input mode select bit; 00= Single-ended input; Other = Differential input (pseudo-differential).
Bit1~Bit0	PGAIPS<1:0>:	PGA input port selection 00= Differential input: low-end input port is PGAP, high-end input port is PGAGND; Single-ended input: The input port is PGAGND. Other = Differential input: high-end input port is PGAP, low input port is PGAGND; Single-ended input: The input port is PGAP.

### 23.3.2 PGACON1 Register

F52AH	Bit7	Bit6	Bit5	Bit4	Bit3	Bit2	Bit1	Bit0
PGACON1	--	--	--	PGAAMS	PGASHT 3	PGASHT 2	PGASHT 1	PGASHT 0
R/W	R/W	R/W	R/W	R/W	R/W	R/W	R/W	R/W
Reset Value	0	0	0	0	0	0	0	0

Bit7~Bit5	--	Reserved, must be 0.
Bit4	PGAAMS:	PGA amplification mode selection bit; 1= Normal zoom mode; 0= Sample-and-hold mode. (The ADC module forms a sample-and-hold circuit structure.) Sample-and-hold at the PGA input, scaled up to convert to the ADC, requiring PGA channels in ADC channel AN31 to use).
Bit3~Bit0	PGASHT<3:0>:	PGA sample-and-hold time selection; 0000~1111= $1 * T_{ADCK} \sim 16 * T_{ADCK}$ . ( $T_{ADCK}$ is the sample clock period of the ADC).

### 23.3.3 PGACON2 Register

F52BH	Bit7	Bit6	Bit5	Bit4	Bit3	Bit2	Bit1	Bit0
PGACON2	PGA_DOUT	--	--	--	PGAT_EN	--	--	--
R/W	R	R/W	R/W	R/W	R/W	R/W	R/W	R/W
Reset Value	0	0	0	0	0	0	0	0

- Bit7     PGA\_DOUT   PGA adjustment mode output, read-only;  
           1= Output 1;  
           0= Output 0.
- Bit6~Bit4         --   Reserved, must be 0.
- Bit3     PGAT\_EN   PGATO output enable control;  
           1= Enable;  
           0= Disable.
- Bit2~Bit0         --   Reserved, must be 0.

### 23.3.4 PGACON3 Register

F52CH	Bit7	Bit6	Bit5	Bit4	Bit3	Bit2	Bit1	Bit0
PGACON3	PGAMODE1	PGAMODE0	PGAADJ5	PGAADJ4	PGAADJ3	PGAADJ2	PGAADJ1	PGAADJ0
R/W	R/W	R/W	R/W	R/W	R/W	R/W	R/W	R/W
Reset Value	0	0	1	0	0	0	0	0

- Bit7~Bit6        PGAMODE<1:0>:   PGA working mode selection;  
                   00=   PGA normal mode;  
                   01=   PGA trim mode 0 (internal input short ground);  
                   10=   PGA trim mode 1 (internal input shorting, external from PGAP to  
                           different common mode points);  
                   11=   PGA trim mode 2 (internal input shorted, external from PGAGND to  
                           different common mode points).
- Bit5~Bit0        PGAADJ<5:0>:   PGA input offset trimming;

### 23.3.5 PGAADJE Registers

F52DH	Bit7	Bit6	Bit5	Bit4	Bit3	Bit2	Bit1	Bit0
PGAADJE	PGAADJE7	PGAADJE6	PGAADJE5	PGAADJE4	PGAADJE3	PGAADJE2	PGAADJE1	PGAADJE0
R/W	R/W	R/W	R/W	R/W	R/W	R/W	R/W	R/W
Reset Value	0	0	0	0	0	0	0	0

- Bit7~Bit0        PGAADJE<7:0>:   PGA offset voltage regulation mode is selected.  
                   AAH =   This is determined by the PGAADJ < 5:0 > in the PGACON3 register.  
                   Other =  Determined by the CONFIG correlation bit.

## 24. Flash Memory

### 24.1 Overview

Flash memory contains program memory (APROM) and nonvolatile data memory (Data FLASH). The maximum memory space of the program is 16KB, divided into 32 sectors, each containing 512B. The maximum data memory space is 1KB, which is divided into 2 sectors, each containing 512B.

The FLASH memory can be accessed by the relevant special function register (SFR) to achieve IAP function. The SFR registers used to access the FLASH space are as follows:

- ◆ MLOCK
- ◆ MDATA
- ◆ MADRL
- ◆ MADRH
- ◆ MCTRL

MLOCK register is used to enable memory operation, MDATA registers form a byte to hold 8 bits of data to be read/written, MADRL/MADRH registers hold the address of the accessed MDATA unit, and MCTRL registers are used for memory operation control.

The memory module interface enables the memory to be read/written/erased. The memory enables byte reads and writes, and the write time is controlled by the on-chip timer, which ensures that the data in that address has been erased before writing new data. The write and erase voltages are generated by an on-chip charge pump that is rated for operation within the voltage range of the device for byte operation.

Flash memory erase operations only support sector erasure, not byte erasure. Before modifying the data for an address, it is recommended that you save other data before erasing the current sector and finally writing the data.

## 24.2 Related Registers

### 24.2.1 Flash Protect Lock Register MLOCK

0xFB	Bit7	Bit6	Bit5	Bit4	Bit3	Bit2	Bit1	Bit0
MLOCK	MLOCK7	MLOCK6	MLOCK5	MLOCK4	MLOCK3	MLOCK2	MLOCK1	MLOCK0
R/W	In	In	In	In	In	In	In	In
Reset Value	0	1	0	1	0	1	0	1

Bit7~Bit0 MLOCK<7:0>: memory operation enable bit (this register only supports write operations);  
 AAH= Enables memory-dependent R/W/E operation;  
 00H/FFH/55H= Operation is not Enabled;  
 Other = Writes are prohibited.

### 24.2.2 FLASH Memory Data Register MDATA

0xFE	Bit7	Bit6	Bit5	Bit4	Bit3	Bit2	Bit1	Bit0
MDATA	MDATA7	MDATA6	MDATA5	MDATA4	MDATA3	MDATA2	MDATA1	MDATA0
R/W	R/W	R/W	R/W	R/W	R/W	R/W	R/W	R/W
Reset Value	X	X	X	X	X	X	X	X

Bit7~Bit0 MDATA<7:0>: Data that is read or written to program memory.

### 24.2.3 FLASH Memory Address Register MADRL

0xFC	Bit7	Bit6	Bit5	Bit4	Bit3	Bit2	Bit1	Bit0
MADRL	MADRL7	MADRL6	MADRL5	MADRL4	MADRL3	MADRL2	MADRL1	MADRL0
R/W	R/W	R/W	R/W	R/W	R/W	R/W	R/W	R/W
Reset Value	0	0	1	1	1	1	1	1

Bit7~Bit0 MADRL<7:0>: Specifies that the address of the memory read/write operation is 8 bits lower.

### 24.2.4 FLASH Memory Address Register MADRH

0xFD	Bit7	Bit6	Bit5	Bit4	Bit3	Bit2	Bit1	Bit0
MADRH	MADRH7	MADRH6	MADRH5	MADRH4	MADRH3	MADRH2	MADRH1	MADRH0
R/W	R/W	R/W	R/W	R/W	R/W	R/W	R/W	R/W
Reset Value	0	0	0	0	0	0	0	0

Bit7~Bit0 MADRH<7:0>: Specifies that the address of the memory read/write operation is 8 bits high.



### 24.2.5 FLASH Memory Control Register MCTRL

0xFF	Bit7	Bit6	Bit5	Bit4	Bit3	Bit2	Bit1	Bit0
MCTRL	--	--	TAKE	MREG	MMODE1	MMODE0	--	MSTART
R/W	R	R	R/W	R/W	R/W	R/W	R/W	R/W
Reset Value	1	0	0	1	0	0	0	0

- Bit7~Bit6                    -- Reserved .
- Bit5                        TAKE: Operation error flag bit (write 0 cleared);  
                               1= Before the programming operation begins, the data in the detection programming address is not "FFH" (not erased) and the write operation terminates immediately.  
                               0= --
- Bit4                        MREG: Flash area selection bits;  
                               1= Select the data area (low 10-bit address is valid);  
                               0= Select the program area (low 14-bit address is valid).
- Bit3~Bit2                MMODE<1:0>: Operating mode selection bit:  
                               11= Erase operation mode (the scope of the erase operation is: the entire sector where the current address is located);  
                               10= Write operation mode;  
                               01= Retention;  
                               00= Read mode of operation.
- Bit1                        -- Reserved, must be 0.
- Bit0                        MSTART: Operation start control bit;  
                               1= Start the program memory R/W/E verification operation (after the operation is completed, it can be automatically cleared by the hardware);  
                               0= Write: Terminate or do not start the program memory R/W/E check operation;  
                                   Read: The operation completed or the operation did not start.

## 24.3 Feature Description

During flash memory read/write/erase operations, the CPU is in a paused state, and when the operation is complete, the CPU continues to run instructions.

The operation memory instruction must be followed by 6 NOP instructions, for example:

```
MOV MCTRL,#09H           ; The write operation begins
NOP
NOP
NOP
NOP
NOP
NOP
MOV MCTRL,#01H          ; The read operation begins
NOP
NOP
NOP
NOP
NOP
NOP
```

## 25. Unique ID (UID)

### 25.1 Overview

Each chip has a different 96-bit unique identification number, or Unique identification. It has been set at the factory and cannot be modified by the user.

### 25.2 UID Register Description

UID0

F5E0H	Bit7	Bit6	Bit5	Bit4	Bit3	Bit2	Bit1	Bit0
UID0	UID7	UID6	UID5	UID4	UID3	UID2	UID1	UID0
R/W	R	R	R	R	R	R	R	R
Reset Value	X	X	X	X	X	X	X	X

Bit7~Bit0      UID&lt;7:0&gt;

UID1

F5E1H	Bit7	Bit6	Bit5	Bit4	Bit3	Bit2	Bit1	Bit0
UID1	UID15	UID14	UID13	UID12	UID11	UID10	UID9	UID8
R/W	R	R	R	R	R	R	R	R
Reset Value	X	X	X	X	X	X	X	X

Bit7~Bit0      UID&lt;15:8&gt;

UID2

F5E2H	Bit7	Bit6	Bit5	Bit4	Bit3	Bit2	Bit1	Bit0
UID2	UID23	UID22	UID21	UID20	UID19	UID18	UID17	UID16
R/W	R	R	R	R	R	R	R	R
Reset Value	X	X	X	X	X	X	X	X

Bit7~Bit0      UID&lt;23:16&gt;

UID3

F5E3H	Bit7	Bit6	Bit5	Bit4	Bit3	Bit2	Bit1	Bit0
UID3	UID31	UID30	UID29	UID28	UID27	UID26	UID25	UID24
R/W	R	R	R	R	R	R	R	R
Reset Value	X	X	X	X	X	X	X	X

Bit7~Bit0      UID&lt;31:24&gt;

## UID4

F5E4H	Bit7	Bit6	Bit5	Bit4	Bit3	Bit2	Bit1	Bit0
UID4	UID39	UID38	UID37	UID36	UID35	UID34	UID33	UID32
R/W	R	R	R	R	R	R	R	R
Reset Value	X	X	X	X	X	X	X	X

Bit7~Bit0      UID&lt;39:32&gt;

## UID5

F5E5H	Bit7	Bit6	Bit5	Bit4	Bit3	Bit2	Bit1	Bit0
UID5	UID47	UID46	UID45	UID44	UID43	UID42	UID41	UID40
R/W	R	R	R	R	R	R	R	R
Reset Value	X	X	X	X	X	X	X	X

Bit7~Bit0      UID&lt;47:40&gt;

## UID6

F5E6H	Bit7	Bit6	Bit5	Bit4	Bit3	Bit2	Bit1	Bit0
UID6	UID55	UID54	UID53	UID52	UID51	UID50	UID49	UID48
R/W	R	R	R	R	R	R	R	R
Reset Value	X	X	X	X	X	X	X	X

Bit7~Bit0      UID&lt;55:48&gt;

## UID7

F5E7H	Bit7	Bit6	Bit5	Bit4	Bit3	Bit2	Bit1	Bit0
UID7	UID63	UID62	UID61	UID60	UID59	UID58	UID57	UID56
R/W	R	R	R	R	R	R	R	R
Reset Value	X	X	X	X	X	X	X	X

Bit7~Bit0      UID&lt;63:56&gt;

## UID8

F5E8H	Bit7	Bit6	Bit5	Bit4	Bit3	Bit2	Bit1	Bit0
UID8	UID71	UID70	UID69	UID68	UID67	UID66	UID65	UID64
R/W	R	R	R	R	R	R	R	R
Reset Value	X	X	X	X	X	X	X	X

Bit7~Bit0      UID&lt;71:64&gt;

## UID9

F5E9H	Bit7	Bit6	Bit5	Bit4	Bit3	Bit2	Bit1	Bit0
UID9	UID79	UID78	UID77	UID76	UID75	UID74	UID73	UID72
R/W	R	R	R	R	R	R	R	R
Reset Value	X	X	X	X	X	X	X	X

Bit7~Bit0      UID&lt;79:72&gt;

## UID10 (0xF5EA)

F5EAH	Bit7	Bit6	Bit5	Bit4	Bit3	Bit2	Bit1	Bit0
UID10	UID87	UID86	UID85	UID84	UID83	UID82	UID81	UID80
R/W	R	R	R	R	R	R	R	R
Reset Value	X	X	X	X	X	X	X	X

Bit7~Bit0      UID&lt;87:80&gt;

## UID11

F5EBH	Bit7	Bit6	Bit5	Bit4	Bit3	Bit2	Bit1	Bit0
UID11	UID95	UID94	UID93	UID92	UID91	UID90	UID89	UID88
R/W	R	R	R	R	R	R	R	R
Reset Value	X	X	X	X	X	X	X	X

Bit7~Bit0      UID&lt;95:88&gt;

## 26. User Configuration

The System Configuration Register (CONFIG) is a FLASH option for the initial conditions of the MCU and cannot be accessed or operated by the program. It contains the following:

1. WDT (Watchdog Working Method Selection)
  - ◆ ENABLE Force open WDT
  - ◆ SOFTWARE CONTROL (default) The WDT operation is controlled by the WDTRE bit of the WDCON register
2. PROTECT
  - ◆ ENABLE The FLASH code is encrypted, and the code read out is 00H. And it is Disable to enter debug mode
  - ◆ DISABLE (default) Flash code is not encrypted
3. FLASH\_DATA\_PROTECT
  - ◆ DISABLE Flash data areas are not encrypted
  - ◆ ENABLE (default) The FLASH data area is encrypted, and the value read out by the flashing emulator after encryption is 00H
4. LVR (Low Voltage Reset)
  - ◆ 1.8V (default) ◆ 2.0V
  - ◆ 2.5V ◆ 3.5V
5. DEBUG (debug mode)
  - ◆ DISABLE (default) Debug mode prohibits, DSCK, DSDA pins are used as ordinary IO ports
  - ◆ ENABLE Debug mode enables, DSCK, DSDA pins are configured as debug ports, and other functions corresponding to the pins are turned off
6. OSC (oscillation mode)
  - ◆ HSI (default) 48MHz
  - ◆ HSE
  - ◆ LSE(32.768KHz)
  - ◆ LSI(125KHz) 125KHz
7. SYS\_PRESCALE (system clock prescale selection)
  - ◆  $F_{osc}/1$  (default).
  - ◆  $F_{osc}/2$
  - ◆  $F_{osc}/4$
  - ◆  $F_{osc}/8$
8. HSI\_FS (internal RC oscillator crossover selection)
  - ◆  $F_{HSI}/1$  48MHz
  - ◆  $F_{HSI}/2$  24MHz
  - ◆  $F_{HSI}/3$  16MHz
  - ◆  $F_{HSI}/6$  (default). 8MHz
9. EXT\_RESET (external reset configuration)
  - ◆ DISABLE (default) External reset prohibits
  - ◆ ENABLE External reset enable
  - ◆ ENABLE(OPEN PULLUP) An external reset is enabled and the internal pull-up resistor of the reset port is turned on

## 10. EXT\_RESETSEL (external reset port selection)

- |       |       |       |       |
|-------|-------|-------|-------|
| ◆ P00 | ◆ P13 | ◆ P21 | ◆ P30 |
| ◆ P01 | ◆ P14 | ◆ P22 | ◆ P31 |
| ◆ P02 | ◆ P15 | ◆ P23 | ◆ P32 |
| ◆ P03 | ◆ P16 | ◆ P24 | ◆ P35 |
| ◆ P04 | ◆ P17 | ◆ P25 | ◆ P36 |
| ◆ P05 |       | ◆ P26 |       |

## 11. WAKE\_UP\_WAIT TIME (sleep wake-up waits for oscillator to stabilize by default to 1.0s)

- |         |                  |
|---------|------------------|
| ◆ 50us  | ◆ 5ms            |
| ◆ 100us | ◆ 10ms           |
| ◆ 500us | ◆ 500ms          |
| ◆ 1ms   | ◆ 1.0s (default) |

## 12. CPU\_WAITCLOCK (memory wait clock selection)

- ◆ 1\*System Clock (1T) (default)
- ◆ 2\*System Clock (2T)
- ◆ 3\*System Clock (3T)
- ◆ 4\*System Clock (4T)
- ◆ 5\*System Clock (5T)
- ◆ 6\*System Clock (6T)
- ◆ 7\*System Clock (7T)
- ◆ 8\*System Clock (8T)

## 13. WRITE\_PROTECT program partition protection (protectable areas, all default intervals are unprotected)

- 0-2K (0000H-07FFH protected/unprotected)
- 2-4K (0800H-0FFFH Protected/Unprotected)
- 4-6K (1000H-17FFH Protected/Unprotected)
- 6-8K (1800H-1FFFH Protected/Unprotected)
- 8-10K (2000H-27FFH Protected/Unprotected)
- 10-12K (2800H-2FFFH Protected/Unprotected)
- 12-14K (3000H-37FFH Protected/Unprotected)
- 14-16K (3800H-3FFFH Protected/Unprotected)

## 14. BOOT space selection

- |                      |                             |
|----------------------|-----------------------------|
| ◆ BOOT_DIS (default) | The BOOT zone is prohibited |
| ◆ BOOT_1K            | The BOOT area space is 1K   |
| ◆ BOOT_2K            | The BOOT area space is 2K   |
| ◆ BOOT_4K            | The boot area space is 4K   |

## Note:

- 1) The machine cycle is related to the memory wait clock selection (CPU\_WAITCLOCK): the machine cycle =  $T_{SYS}/CPU\_WAITCLOCK$ .
- 2) When the oscillation mode is selected as HSI, the internal RC oscillator is selected as FHSI/1, and the system clock prescale is selected as  $F_{osc}/1$ , and all three conditions are met, if the memory wait clock is selected as 1\*System Clock (1T), the actual memory wait clock is selected as 2T, and the machine cycle =  $T_{SYS}/2$ .

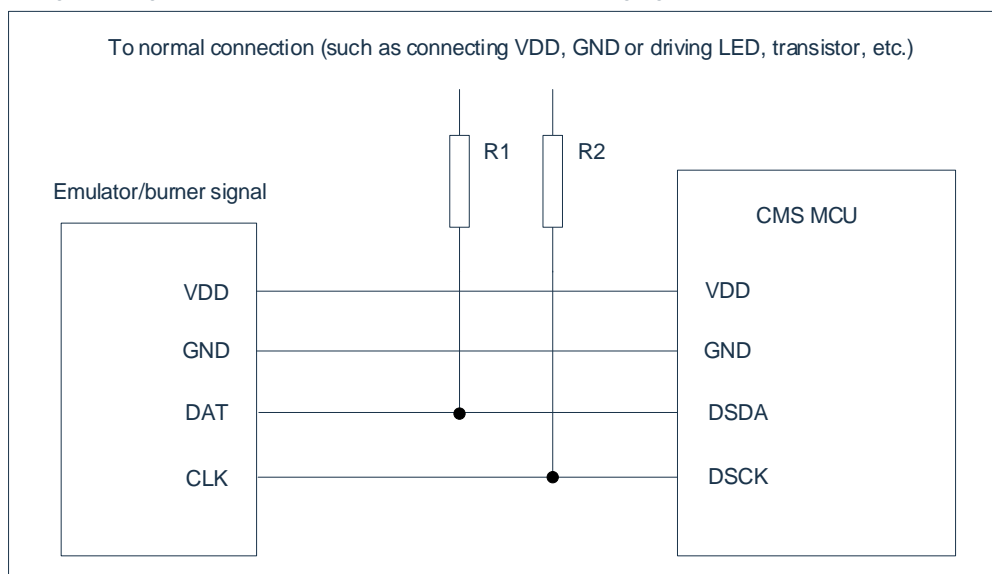
## 27. In-circuit Programming and Debugging

### 27.1 Online Programming Mode

The chip can be programmed serially in the end application circuit. Programming can be done simply by the following 4 wires:

- Power cord
- Ground wire
- Data cable
- Clock line

online serial programming enables users to manufacture circuit boards using unprogrammed devices and program the chip only before product delivery, Enabling the latest version of firmware or custom firmware to be programmed into the chip. A typical online serial programming connection method is shown in the following figure:



In the figure above, R1 and R2 are galvanical isolation devices, often replaced by resistors, and their resistance values are as follows:  $R1 \geq 4.7K$ ,  $R2 \geq 4.7K$ .

Note that DSDA prohibits the connection of pull-down resistors during programming and debugging. If the actual circuit needs to be connected to the pull-down resistor, it is recommended to use the jumper structure to disconnect the pull-down resistor during programming/debugging, and then plug in the pull-down resistor after completion.



## 27.2 Online Debug Mode

The chip supports 2-wire (DSCK, DSDA) in-circuit debugging. If you use the in-circuit debugging function, you need to set DEBUG in the system configuration register to ENABLE. When using debug mode, you need to be aware of the following points:

- ◆ Under the debug state, the DSCK and DSDA ports are dedicated debug ports and cannot implement their GPIO and multiplexing functions.
- ◆ When the debug state enters sleep mode/idle mode, the system power supply and oscillator do not stop working, and the sleep wake function can be simulated in this state. If you need to focus on power consumption, it is recommended to turn off the debug function and then test the actual sleep current of the chip.
- ◆ Pauses in debug state, other functional peripherals continue to run, and the WDT, Timer0/1/2/3/4 counters stop. However, if Timer1/4 is used as the baud rate generator for UART0/1, Timer1/4 will also continue to run in the paused state. Peripherals that continue to run in a paused state may cause breaks, and you need to be aware when debugging.
- ◆ The WDT reset and software reset functions are not recommended during debugging, as the chip may lose connectivity with the debugger during reset.

## 28. Instruction Description

Assembly instructions consist of a total of 5 categories: arithmetic operations, logical operations, data transfer operations, Boolean operations, and program branch instructions, all of which are compatible with standard 8051.

### 28.1 Symbol Description

Symbol	Description
Rn	Working registers R0-R 7
Direct	The cell address (00H-FFH) of the internal data memory RAM or the address in the special function register SFR
@Ri	Indirection register (@R0 or @R1).
#data	8-bit binary constant
#dato16	A 16-bit binary constant in the instruction
Bit	Bit address in internal data memory RAM or special function register SFR
Addr16	16-bit address with an address range of 0-64KB address space
Addr11	11-bit address, address range 0-2KB address space
Rthe	Relative address
A	accumulator

## 28.2 List of Instructions

Mnemonics	description
<b>Operation class</b>	
ADD A,R n	Accumulator plus register
ADD A,direct	Accumulator plus direct addressing unit
ADD A,@Rto	Accumulator plus indirectly addressed RAM
ADD A,#data	The accumulator adds the immediate number
ADDC A,Rn	Accumulator plus registers and carry flags
ADDC A,direct	Accumulator plus direct addressing unit and carry signs
ADDC A,@Rto	Accumulator plus indirect addressing RAM and carry flags
ADDC A,#data	Accumulator plus immediate number and carry signs
SANDB A,R n	Accumulator minus register and carry flag
SANDB A,direct	Accumulator minus direct addressing unit and carry flag
SANDB A,@Ri	Accumulator minus indirect addressing RAM and carry flags
SANDB A,#data	Accumulator minus immediate number and carry signs
INC A	Accumulator plus 1
INC Rn	Register plus 1
INC direct	Direct addressing unit plus 1
INC @Ri	Indirect addressed RAM plus 1
INC DPTR	Data pointer plus 1
DEC A	Accumulator minus 1
DEC Rn	Register minus 1
DEC direct	Direct addressing unit minus 1
DEC @ Ri	Indirect addressed RAM minus 1
MANDL A,B	Accumulator multiplier by register B
DIV A,B	The accumulator is divided by register B
DA A	Decimal adjustment
<b>Logical operation classes</b>	
ANL A,Rn	Accumulators and registers
ANL A,direct	Accumulators and direct addressing units
ANL A,@Rto	Accumulator and indirectly addressed RAM
ANL A,#data	Accumulator with immediate number
ANL direct,A	Direct addressing unit with accumulator
ANL direct,#data	Direct addressing units with immediate numbers
ORL A,R n	Accumulator or register
ORL A, direct	Accumulator or direct addressing unit
ORL A,@Rto	Accumulator or indirectly addressed RAM
ORL A, #data	Accumulator or immediate number
ORL direct,A	Direct addressing unit or accumulator
ORL diri walkt,#dayour	Direct addressing units or immediate numbers
XRL A,R n	Accumulator Xor register
XRL A,direct	Accumulator heterogeneous or direct addressing unit
XRL A,@Ri	Accumulator XOR addressed RAM
XRL A,#data	Accumulator different or immediate number
XRL direct,A	Direct addressing unit Xor accumulator
XRL direct,#data	Direct addressing units vary or immediately number
CLR A	Accumulator clear 0
CPL A	The accumulator is reversed
RL A	The accumulator is shifted in the left loop

Mnemonics		description
RLC	A	The accumulator is even the carry flag for a left loop shift
RR	A	The accumulator is shifted in the right loop
RR RC	A	The accumulator is connected to the carry mark right loop shift
SWAP	A	The accumulator is swapped 4 bits high and 4 bits low
<b>Data transfer class</b>		
MOV	A,R n	Registers are transferred to the accumulator
MOV	A,direct	The direct addressing unit is transferred to the accumulator
MOV	A,@Ri	Indirectly addressed RAM feed accumulator
MOV	A,#data	Immediately count the accumulators
MOV	Rn,A	Accumulator feed register
MOV	Rn,direct	Direct addressing unit feed register
MOV	Rn,#data	Immediately count the send registers
MOV	direct,A	The accumulator sends a direct addressing unit
MOV	direct,R n	Registers send direct addressing units
MOV	direct1,direct2	The direct address unit is transferred to the direct addressing unit
MOV	direct,@Ri	Indirectly addressed RAM feeds direct addressing units
MOV	direct,#data	Immediately count the number of direct addressed units
MOV	@Ri,A	The accumulator sends indirectly addressed RAM
MOV	@Ri,direct	The direct addressing unit sends indirectly addressed RAM
MOV	@Ri,#data	Immediately send indirect addressed RAM
MOV	DPTR,#data16	The 16-bit immediate number sends a data pointer
MOVC	A,@A+DPTR	Lookup table data feed accumulator (DPTR as base address)
MOVC	A,@A+PC	Lookup table data feed accumulator (PC as base address)
MOVX	A,@Rto	External RAM unit feed accumulator (8-bit address)
MOVX	A,@DPTR	External RAM unit feed accumulator (16-bit address)
MOVX	@Ri,A	Accumulator feeds external RAM unit (8-bit address)
MOVX	@DPTR,A	Accumulator to external RAM unit (16-bit address)
PUSH	direct	The direct addressing unit is pressed into the top of the stack
POP	direct	A direct addressing unit pops up at the top of the stack
XCH	A,Rn	The accumulator is exchanged with the registers
XCH	A,direct	The accumulator is swapped with the direct addressing unit RAM
XCH	A,@Ri	The accumulator is swapped with the indirect addressing unit RAM
XCHD	A,@Ri	The accumulator swaps 4 bits lower with the indirect addressing unit RAM
<b>Boolean operation class</b>		
CLR	C	C Clear Zero
CLR	bit	The direct address bit is cleared to zero
SETB	C	C set
SETB	bit	Direct addressing location bits
CPL	C	C takes the reverse
CPL	bit	Direct addressing bits are reversed
ANL	C,bit	C logic with direct addressing bits
ANL	C,/bit	C logic is inverse with direct addressing bits
ORL	C,bit	C logical or direct addressing bits
ORL	C,/bit	C logic or the inverse of the direct addressing bit
MOV	C,bit	Direct addressing bits send C
MOV	bit,C	C sends direct addressing bits
<b>Program jump class</b>		
ACALL	add r11	Absolute invocation within the 2K address range
LCALL	addr16	Long calls within 64K address range

Mnemonics	description
RAND	Subroutine returns
RETI	Interrupt returns
AJMP addr11	Absolute transfer within 2K address range
LJMP add r16	Long transfer within 64K address range
SJMP randl	Relatively short transfer
JMP @A+DPTR	Relatively long transfer
JZ rthe	The accumulator is 0 transfers
JNZ rthe	The accumulator is not transferred to 0
JC rthe	C is 1 transfer
JNC rthe	C is 0 transfer
JB band t,r the	The direct addressing bit is 1 transfer
JNB band t,r the	The direct addressing bit is transferred at 0
JBC band t,r the	The direct addressing bit is transferred to 1 and clears that bit
CJNE A,dandrec t,r the	Accumulators are transferred unequally from direct addressing units
CJNE A,#data,r the	Accumulator with immediate number unequal transfer
CJNE Rn,#data,r el	Registers are transferred with an immediate number unequal
CJNE @ Ri,#data,r el	Indirection unit RAM with immediate number unequal transfer
DJNZ Rn,r el	Register minus 1 does not transfer to 0
DJNZ dandrec t,r the	Direct addressing unit minus 1 does not transfer to 0
NOP	Empty directive
<b>Read-Modify-Write instructions</b>	
ANL	Logic (direct ANL, A 与 DIRECT ANL, #data)
ORL	Logical or (ORL direct, A and ORL direct, #data)
XRL	Logical XOR (XRL direct, A vs XRL direct, #data)
JBC	The direct addressing bit is transferred to 1 and cleared (JBC bit, rel)
CPL	CPL bit
INC	Plus 1 (INC direct)
DEC	Subtract 1. (DEC direct)
DJNZ	Minus 1 does not transfer for 0 (DJNZ direct, rel)
MOV bit,C	C sends direct addressing bits
CLR bit	The direct address bit is cleared to zero
SETB bit	Direct addressing location bits

## 29. Version Revision Notes

Version number	Time	Revision Content
V1.00	Jan 2020	Initial release
V1.01	Dec 2020	Modify the PWM module register address and ACMP register description
V1.02	Aug 2021	Modify the MLOCK reset value
V1.03	Oct 2021	Modify the feature description
V1.0.7	Feb 2023	<ol style="list-style-type: none"> <li>1) Modify the description of port reuse function</li> <li>2) 18.2 I2C port configuration: add description</li> <li>3) 7.2.1 Port multiplexing function configuration register: adjustment description</li> <li>4) 15.2.2 BUZZER frequency control register BUZDIV: add precautions</li> <li>5) 20.2.4 Conversion clock: Example of optimizing ADC clock</li> <li>6) 24.3 Function description: delete FLASH parameter</li> <li>7) Correct register description and text errors</li> <li>8) 3.1 Power-on reset: add the relation table between reset flag and reset signal</li> <li>9) Modify directory</li> </ol>